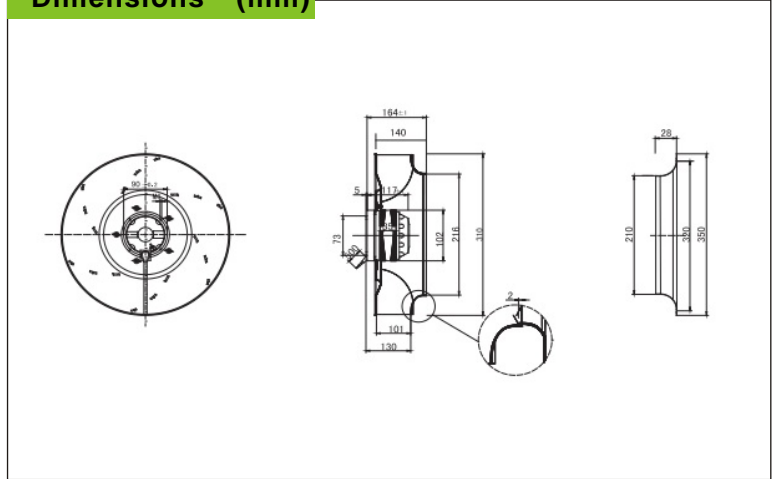


STORM DC CENTRIFUGAL FAN Φ 310mm Series



Dimensions (mm)



Material:

Impeller completely made of sheet aluminum

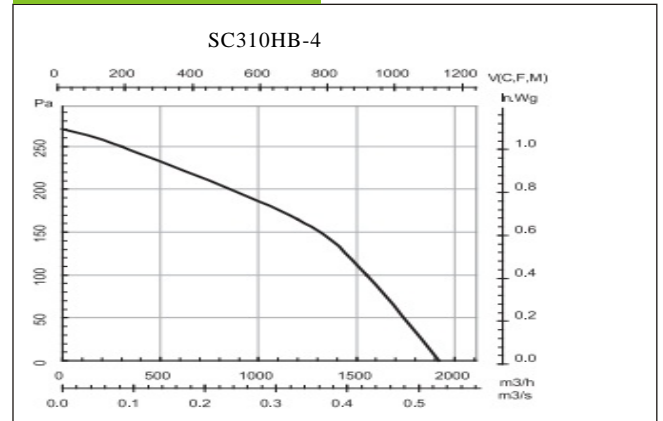
Motor:

Shaded-pole, IP44

Bearing:

Ball bearings

Performance Curve



Model \ Spec	RATED (VDC)	RANGE (VDC)	CURRNT (Amp)	POWER (Watts)	SPEED (Rpm)	AIR FLOW (m ³ /H)	IP	Pst (pa)	Temp.S	NOISE (dBA)	Weight (g)
SC310HB-4	48	36-57	2.8	90	1400	1920	44	380	60	61	3000