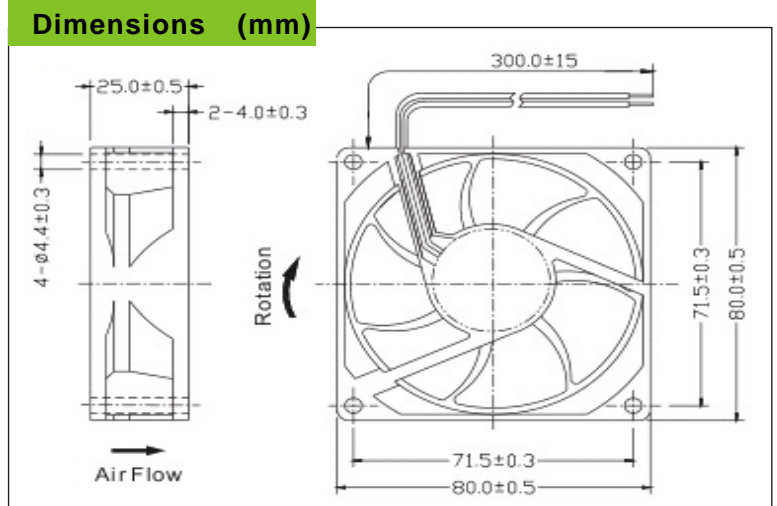


STORM DC AXIAL FAN 80x80x25mm Series



CONSTRUCTION

Glass fiber reinforced plastic:
Impeller and housing PBT are UL 94V-0 rating

OPERATING TEMPERATURE:

Ball bearing -30°C to +75°C
Sleeve bearing -10°C to +70°C

INSULATION RESISTANCE:

10meg Ohm min. at 500 VDC
(between frame and terminal)

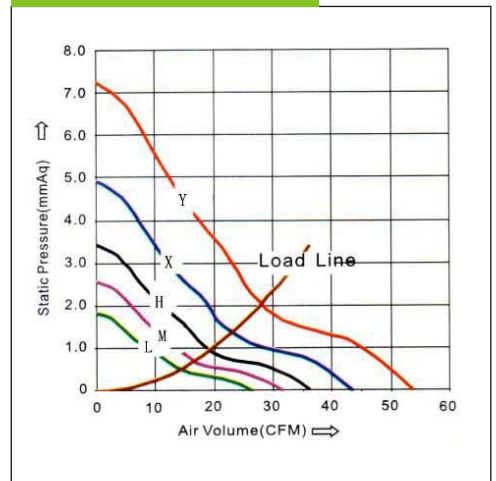
DIELECTRIC STRENGTH:

5mA max. at 500 VAC 60Hz one minute
(between frame and terminal)

FUNCTION:

Auto-restart option
Frequency generator or rotation detection signal option

Performance Curve



Model	Spec	RATED (VDC)	RANGE (VDC)	CURRENT (Amp)	POWER (Watts)	SPEED (Rpm)	AIR FLOW (Q)		PRESSURE (P)		NOISE (dBA)	Weight (g)
							(m3/min)	(CFM)	(mmAq)	(In H ₂ O)		
SA8025XB-5G		05	04-06	0.750	3.75	3600	1.232	43.49	4.94	0.195	37.85	83g
SA8025HB-5G	0.360			1.80	3000	1.027	36.26	3.46	0.136	32.11		
SA8025MB-5G	0.260			1.30	2600	0.896	31.64	2.61	0.103	28.56		
SA8025 LB-5G	0.170			0.85	2200	0.754	26.63	1.87	0.074	23.79		
SA8025YB-1G		12	07-14	0.345	4.14	4400	1.521	53.71	7.26	0.286	40.55	83g
SA8025XB-1G	0.202			2.43	3600	1.232	43.49	4.94	0.195	37.85		
SA8025HB-1G	0.133			1.60	3000	1.027	36.26	3.46	0.136	32.11		
SA8025MB-1G	0.085			1.02	2600	0.896	31.64	2.61	0.103	28.56		
SA8025 LB-1G	0.061	0.73	2200	0.754	26.63	1.87	0.074	23.79				
SA8025YB-2G		24	15-27	0.201	4.82	4400	1.521	53.71	7.26	0.286	40.55	83g
SA8025XB-2G	0.115			2.76	3600	1.232	43.49	4.94	0.195	37.85		
SA8025HB-2G	0.103			2.48	3000	1.027	36.26	3.46	0.136	32.11		
SA8025MB-2G	0.070			1.68	2600	0.896	31.64	2.61	0.103	28.56		
SA8025 LB-2G	0.033	0.78	2200	0.754	26.63	1.87	0.074	23.79				
SA8025YB-4G		48	30-57	0.084	4.03	4400	1.521	53.71	7.26	0.286	40.55	83g
SA8025XB-4G	0.048			2.32	3600	1.232	43.49	4.94	0.195	37.85		
SA8025HB-4G	0.036			1.74	3000	1.027	36.26	3.46	0.136	32.11		
SA8025MB-4G	0.040			1.91	2600	0.896	31.64	2.61	0.103	28.56		
SA8025 LB-4G	0.025	1.19	2200	0.754	26.63	1.87	0.074	23.79				