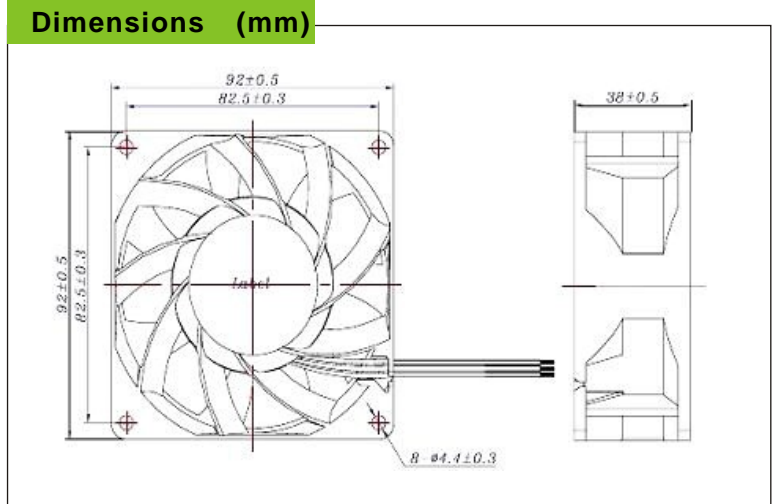
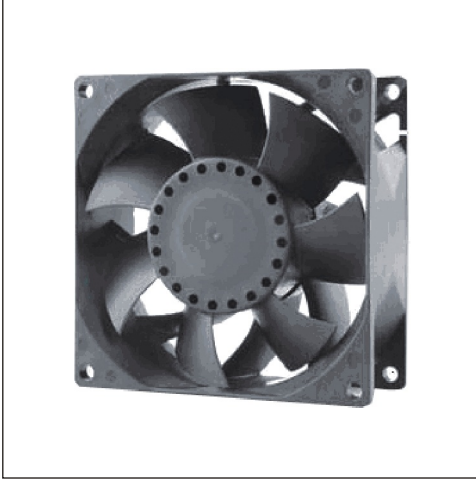


## STORM DC AXIAL FAN 92x92x38mm Series



### CONSTRUCTION

Glass fiber reinforced plastic:  
Impeller and housing PBT are UL 94V-0 rating

### OPERATING TEMPERATURE:

Ball bearing -30°C to +75°C  
Sleeve bearing -10°C to +70°C

### INSULATION RESISTANCE:

10meg Ohm min. at 500 VDC  
(between frame and terminal)

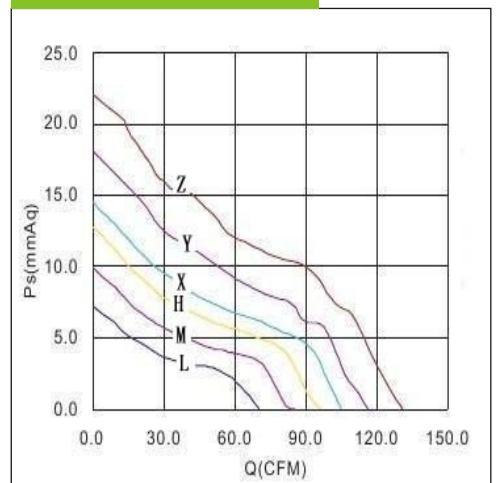
### DIELECTRIC STRENGTH:

5mA max. at 500 VAC 60Hz one minute  
(between frame and terminal)

### FUNCTION:

Auto-restart option  
Frequency generator or rotation detection signal option

### Performance Curve



Model	Spec	RATED (VDC)	RANGE (VDC)	CURRENT (Amp)	POWER (Watts)	SPEED (Rpm)	AIR FLOW (Q)		PRESSURE(P)		NOISE (dBA)	Weight (g)
							(m3/min)	(CFM)	(mmAq)	(In H <sub>2</sub> O)		
SA9238 ZB-1G	12	12	07-14	0.35	4.20	3200	1.983	70.00	7.250	0.285	42.1	226g
SA9238 YB-1G				0.50	6.00	3800	2.4125	85.14	9.860	0.388	47.4	
SA9238 XB-1G				0.75	9.00	4400	2.707	95.57	12.79	0.504	51.1	
SA9238 HB-1G				1.00	12.00	4800	2.967	104.7	14.50	0.571	53.5	
SA9238 MB-1G				1.50	18.00	5400	3.288	116.1	18.10	0.713	57.0	
SA9238 LB-1G				1.90	22.80	6000	3.691	130.2	22.00	0.866	59.3	
SA9238 ZB-2G	24	24	15-27	0.18	4.32	3200	1.983	70.00	7.250	0.285	42.1	226g
SA9238 YB-2G				0.28	6.72	3800	2.4125	85.14	9.860	0.388	47.4	
SA9238 XB-2G				0.40	9.60	4400	2.707	95.57	12.79	0.504	51.1	
SA9238 HB-2G				0.50	12.00	4800	2.967	104.7	14.50	0.571	53.5	
SA9238 MB-2G				0.70	16.80	5400	3.288	116.1	18.10	0.713	57.0	
SA9238 LB-2G				1.00	24.00	6000	3.691	130.2	22.00	0.866	59.3	
SA9238 YB-4G	48	48	30-57	0.20	9.60	3800	2.4125	85.14	9.860	0.388	47.4	226g
SA9238 XB-4G				0.28	13.44	4400	2.707	95.57	12.79	0.504	51.1	
SA9238 HB-4G				0.36	17.28	4800	2.967	104.7	14.50	0.571	53.5	
SA9238 MB-4G				0.54	25.92	5400	3.288	116.1	18.10	0.713	57.0	
SA9238 LB-4G				0.65	31.20	6000	3.691	130.2	22.00	0.866	59.3	