

# Part NO. : DG-ST107



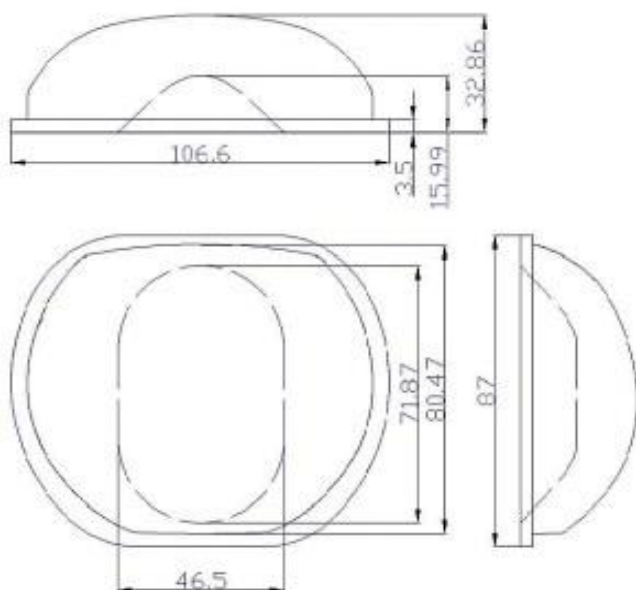
## Description

LENS FOR STREET LIGHTING 50Watt~100 Watt LED

## Material performance

- ◆ Made of borosilicate glass
- ◆ refractive index : 1.474
- ◆ Never get yellow comparing with PMMA material

## Lens Dimensions



**Pictures**



**Note :**  
*For this lens, we have matching gasket and Stainless steel holder, which make installation easily.*

**Applications**

This item is mainly used for street lighting, can get a batwing type lighting pattern. And offer uniform lighting on the ground, which is very important for traffic.  
We have applied this lens for many important road lighting projects.



**LED LIGHTING FXITURE WITH OUR LENS**

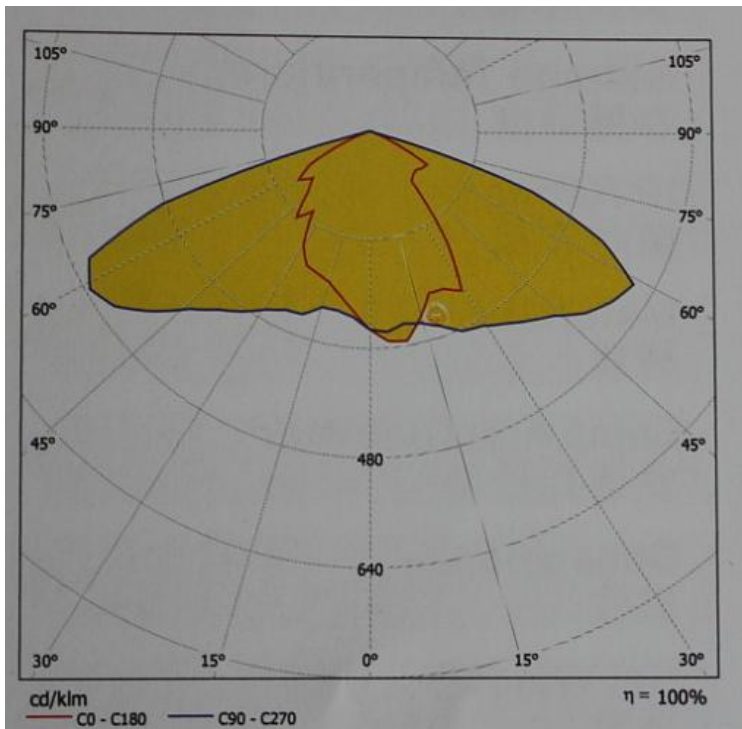


**APPLICATION PROJECT**

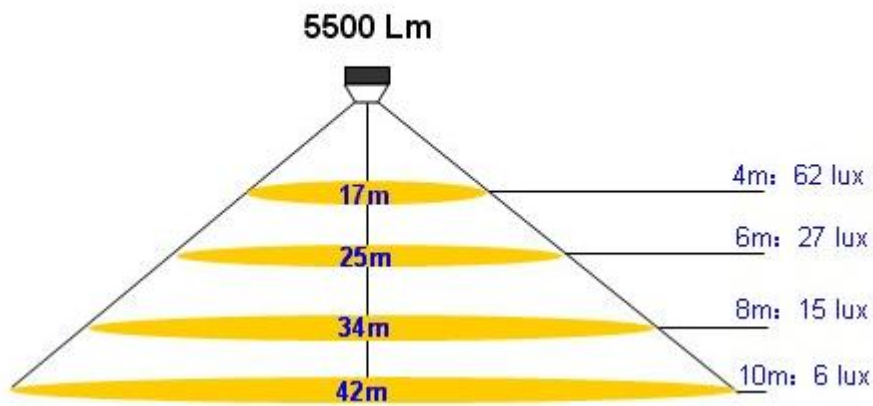
# 丹阳市陵合美光学仪器有限公司

工厂地址：江苏省丹阳市陵口镇南三环 2 号  
电话：0511-85778936  
传 真：0511-86664128  
手 机：13218360889 丁经理

Beam Pattern



Illuminance Diagram for DG-ST107



Apply for LED chip types

This lens is mainly used for high power COB led chip , such as :

