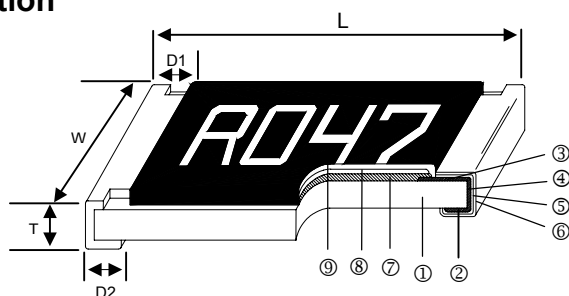


Thin Film Current Sensing Chip Resistor—TCS Series

Construction



① Alumina Substrate	④ Edge Electrode (NiCr)	⑦ Resistor Layer (NiCr)
② Bottom Electrode (Ag)	⑤ Barrier Layer (Ni)	⑧ Overcoat (Epoxy)
③ Top Electrode (Ag-Pd)	⑥ External Electrode (Sn)	⑨ Marking

Features

- Thin film process
- High power rating up to 3 Watts in 2512 size
- Tight tolerance down to $\pm 0.5\%$
- Extremely low TCR down to ± 50 PPM/ $^{\circ}\text{C}$
- Resistance values from 50m to 1ohm
- High purity alumina substrate for high power dissipation

Applications

- Power Management Applications
- Switching Power Supply
- Over Current Protection in Audio Applications
- Voltage Regulation Module (VRM)
- DC-DC Converter, Battery Pack, Charger, Adaptor
- Automotive Engine Control
- Disk Driver

Dimensions

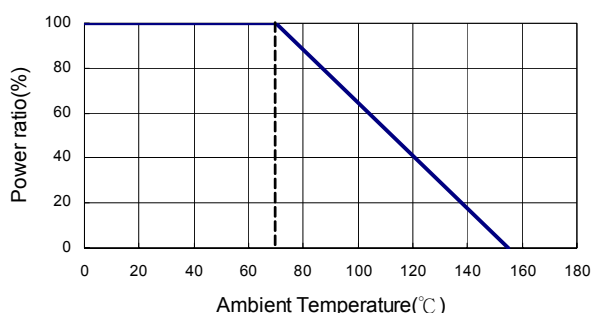
Unit: mm

Type	Size (Inch)	L	W	T	D1	D2	Weight (g) (1000pcs)
TCS02	0402	1.00 \pm 0.05	0.50 \pm 0.05	0.32 \pm 0.10	0.25 \pm 0.10	0.20 \pm 0.10	0.56
TCS03	0603	1.60 \pm 0.10	0.80 \pm 0.10	0.45 \pm 0.10	0.30 \pm 0.20	0.30 \pm 0.20	3.1
TCS05	0805	2.00 \pm 0.15	1.25 \pm 0.15	0.55 \pm 0.10	0.30 \pm 0.20	0.40 \pm 0.25	5.6
TCS06	1206	3.05 \pm 0.15	1.55 \pm 0.15	0.55 \pm 0.10	0.50 \pm 0.30	0.40 \pm 0.25	12.3
TCS10	2010	5.00 \pm 0.20	2.45 \pm 0.15	0.60 \pm 0.15	0.60 \pm 0.30	0.50 \pm 0.25	26.7
TCS12	2512	6.35 \pm 0.20	3.15 \pm 0.15	0.60 \pm 0.10	0.60 \pm 0.30	0.55 \pm 0.25	49.6

Part Numbering

TCS	12	F	T	E		R010	N
Product Type	Dimensions	Resistance Tolerance	Packaging Code	TCR (PPM/ $^{\circ}\text{C}$)	Power Rating	Resistance	Marking
	02: 0402 03: 0603 05: 0805 06: 1206 10: 2010 12: 2512	D: $\pm 0.5\%$ F: $\pm 1\%$	T: Taping Reel B: Bulk	D: ± 50 E: ± 100 F: ± 200	: Standard R: 3W	R010: 0.01 Ω R100: 0.1 Ω 1R00: 1 Ω	: Standard N: No Marking

Derating Curve



Standard Electrical Specifications

Item Type	Power Rating at 70°C	Operating Temp. Range	Resistance Range (mΩ)		TCR (PPM/°C)
			±0.5%	±1%	
TCS02 (0402)	1/16W	-55~+155°C	500 - 1000		±100 ±50
TCS03 (0603)	1/10W	-55~+155°C	200 - 300 301 - 1000		±100 ±50
TCS05 (0805)	1/8W		200 - 300 301 - 1000		±100 ±50
TCS06 (1206)	1/4W	-55~+155°C	—		±200 ±100 ±50
			50 - 100		
TCS10 (2010)	3/4W	-55~+155°C	101 - 300 301 - 1000		±200 ±100 ±50
			50 - 100		
			101 - 300 301 - 1000		
TCS12 (2512)	1W	-55~+155°C	50 - 100		±200 ±100 ±50
			101 - 300		
			301 - 1000		

High Power Rating Electrical Specifications

Item Type	Power Rating at 70°C	Operating Temp. Range	Resistance Range (mΩ)	TCR (PPM/°C)
			±1%	
TCS12 (2512)	3W	-55~+155°C	100 - 1000	±100

Operating Voltage= $\sqrt{P \cdot R}$

Overload Voltage= $2.5 \cdot \sqrt{P \cdot R}$

■ Viking is capable of manufacturing the optional spec based on customer's requirement.

Environmental Characteristics

Item	Requirement	Test Method
Temperature Coefficient of Resistance (T.C.R.)	As Spec.	+25/-55/+25/+125/+25°C
Short Time Overload	±1%	RCWV*2.5 or Max. overload voltage for 5 seconds
Insulation Resistance	>1000MΩ	Apply 100V _{DC} for 1 minute
Endurance	±1%	70±2°C, Max. working voltage for 1000 hrs with 1.5 hrs "ON" and 0.5 hrs "OFF"
Damp Heat with Load	±0.5%	40±2°C, 90~95% R.H. Max. working voltage for 1000 hrs with 1.5 hrs "ON" and 0.5 hrs "OFF"
Bending Strength	As Spec.	Bending amplitude 3mm for 10 seconds
Solderability	95% min. coverage	245±5°C for 3 seconds
Resistance to Soldering Heat	±0.5%	260±5°C for 10 seconds
Dielectric Withstand Voltage	By Type	Apply Max. Overload Voltage for 1 minute
Thermal Shock	±0.5%	-55°C ~150°C, 100 cycles
Low Temperature Operation	±0.5%	1 hour, -65°C followed by 45 minutes of RCWV

■ Reference Standards: MIL-STD-202, JIS-C 5201-1

■ Storage Temperature: 25±3°C; Humidity < 80%RH

Marking for 0603

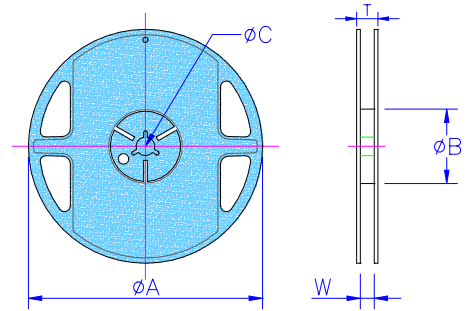
Codes	Type
1R0	1.000Ω
R10	0.100Ω
R01	0.010Ω
<u>101</u>	0.101Ω
<u>035</u>	0.035Ω

Packaging

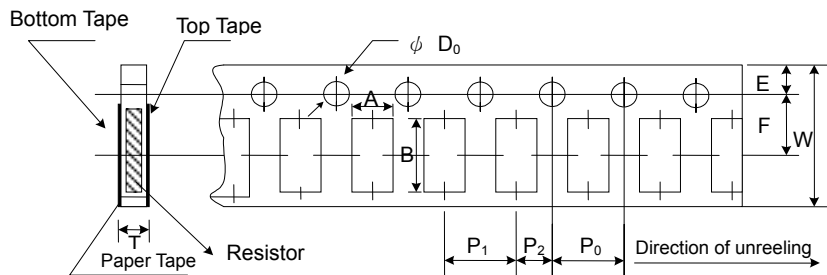
Packaging Quantity & Reel Specifications

Unit: mm

Type	ΦA	ΦB	ΦC	W	T	Paper Tape (EA)	Embossed Plastic Tape (EA)
TCS02	178.0 ± 1.0	60.0 + 1.0	13.5 ± 0.7	9.5 ± 1.0	11.5 ± 1.0	10,000	-
TCS03	178.0 ± 1.0	60.0 + 1.0	13.5 ± 0.7	9.5 ± 1.0	11.5 ± 1.0	5,000	-
TCS05	178.0 ± 1.0	60.0 + 1.0	13.5 ± 0.7	9.5 ± 1.0	11.5 ± 1.0	5,000	-
TCS06	178.0 ± 1.0	60.0 + 1.0	13.5 ± 0.7	9.5 ± 1.0	11.5 ± 1.0	5,000	-
TCS10	178.0 ± 1.0	60.0 + 1.0	13.5 ± 0.7	13.5 ± 1.0	15.5 ± 1.0	-	4,000
TCS12	178.0 ± 1.0	60.0 + 1.0	13.5 ± 0.7	13.5 ± 1.0	15.5 ± 1.0	-	4,000



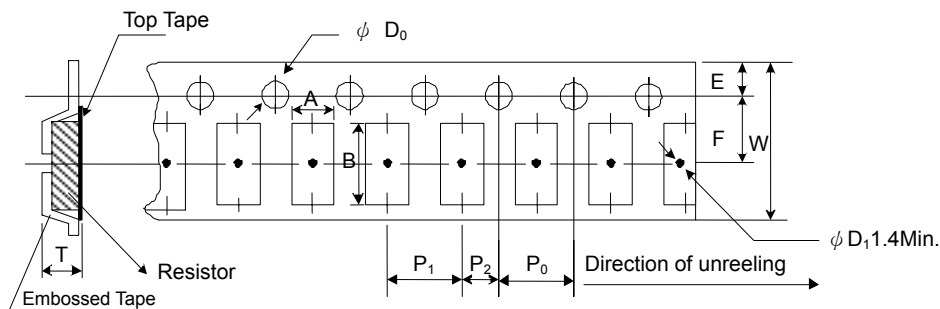
Paper Tape Specifications



Unit: mm

Type	A	B	W	E	F	P ₀	P ₁	P ₂	ΦD ₀	T
TCS02	0.70±0.05	1.16±0.05	8.00±0.10	1.75±0.05	3.5±0.05	4.00±0.10	2.00±0.05	2.00±0.05	1.55±0.05	0.40±0.03
TCS03	1.10±0.05	1.90±0.05	8.00±0.10	1.75±0.05	3.5±0.05	4.00±0.10	4.00±0.10	2.00±0.05	1.55±0.05	0.60±0.03
TCS05	1.60±0.05	2.37±0.05	8.00±0.10	1.75±0.05	3.5±0.05	4.00±0.10	4.00±0.10	2.00±0.05	1.55±0.05	0.75±0.05
TCS06	2.00±0.05	3.55±0.05	8.00±0.10	1.75±0.05	3.5±0.05	4.00±0.10	4.00±0.10	2.00±0.05	1.55±0.05	0.75±0.05

Embossed Plastic Tape Specifications



Unit: mm

Type	A	B	W	E	F	P ₀	P ₁	P ₂	ΦD ₀	T
TCS10	2.85±0.10	5.45±0.10	12.0±0.10	1.75±0.10	5.5±0.05	4.00±0.05	4.00±0.10	2.00±0.05	1.50+0.10	1.00±0.20
TCS12	3.40±0.10	6.65±0.10	12.0±0.10	1.75±0.10	5.5±0.05	4.00±0.05	4.00±0.10	2.00±0.05	1.50+0.10	1.00±0.20