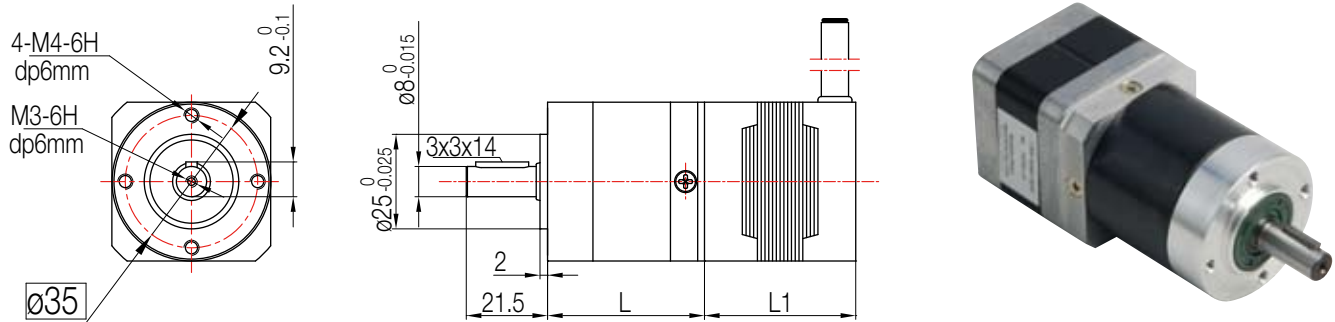


• 机械尺寸图 / Mechanical Dimensions



• 电机规格 / Motor Specification

电机型号 Motor Type	相数 Phases	电压 VDC	电阻 ohm	电流 A	额定转速 rpm	L1 mm	重量 KG	额定转矩 Nm	最大转矩 Nm
HB42K5402	2	5.7	6.3	0.9	/	48	0.36	0.3	0.45
BL420502440	3	24	0.8	4000		60	0.45	0.125	0.15

• 机械性能 / Mechanical Performance

减速电机型号 Reduce Gearmotor	输出转矩 / Output Torque (Nm)								
	1:5	1:10	1:15	1:20	1:25	1:30	1:40	1:50	1:100
PL42TxxxB+HB42K5402	1.425	2.85	4	5.4	6.75	8.1	10.8	13.5	15
PL42TxxxB+BL420502440	0.6	1.2	1.65	2.25	2.8	3.37	4.5	5.63	11.3

• 电气和环境 / Electrical and Environmental

- | | |
|-----------------------------|---|
| 1. 绝缘等级: B级; | 1. Insulation Class: B |
| 2. 介电强度: 500VDC, 1分钟; | 2. Dielectric Strength: 500VDC, 1 minute |
| 3. 绝缘电阻: > 100Mohm, 500VDC; | 3. Insulation Resistance: > 100Mohm, 500VDC |
| 4. 符合CE; | 4. Comply with CE |
| 5. 符合RoHS要求 | 5. Comply with RoHS |

• 选型方案 / Type Selection

请根据具体应用选择电机性能和减速机, 上述选型仅供参考。

According to the specific application to select the motor performance and speed reducer, the selection is for reference only