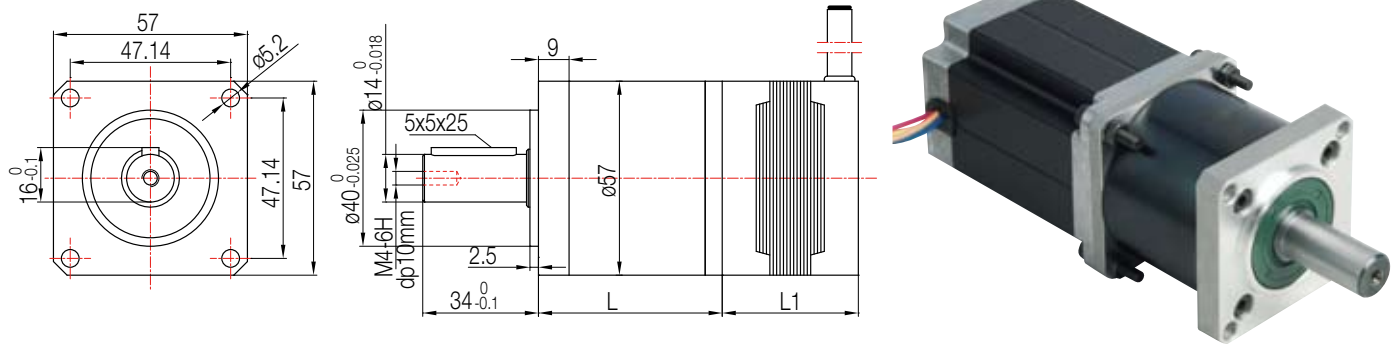


• 机械尺寸图 / Mechanical Dimensions



• 电机规格 / Motor Specification

电机型号 Motor Type	相数 Phases	电压 VDC	电阻 ohm	电流 A	额定转速 rpm	L1 mm	重量 KG	额定转矩 Nm	最大转矩 Nm
HB57K4406	2	10.2	3.6	1.4	4000	55	0.73	0.8	1.4
BL570903640	3	36	0.7			72	0.75	0.22	0.7

• 机械性能 / Mechanical Performance

减速电机型号 Reduce Gearmotor	输出转矩 / Output Torque (Nm)								
	1:5	1:10	1:15	1:20	1:25	1:30	1:40	1:50	1:100
PL57TxxxA+HB57K4406	3.8	6.0	10.8	14.4	18	21.6	25	25	25
PL57TxxxA+BL570903640	1.0	2.1	2.97	3.96	4.95	5.94	7.92	9.9	19.8

• 电气和环境 / Electrical and Environmental

- | | |
|-----------------------------|---|
| 1. 绝缘等级: B级; | 1. Insulation Class: B |
| 2. 介电强度: 500VDC, 1分钟; | 2. Dielectric Strength: 500VDC, 1 minute |
| 3. 绝缘电阻: > 100Mohm, 500VDC; | 3. Insulation Resistance: > 100Mohm, 500VDC |
| 4. 符合CE; | 4. Comply with CE |
| 5. 符合RoHS要求 | 5. Comply with RoHS |

• 选型方案 / Type Selection

请根据具体应用选择电机性能和减速机, 上述选型仅供参考。

According to the specific application to select the motor performance and speed reducer, the selection is for reference only