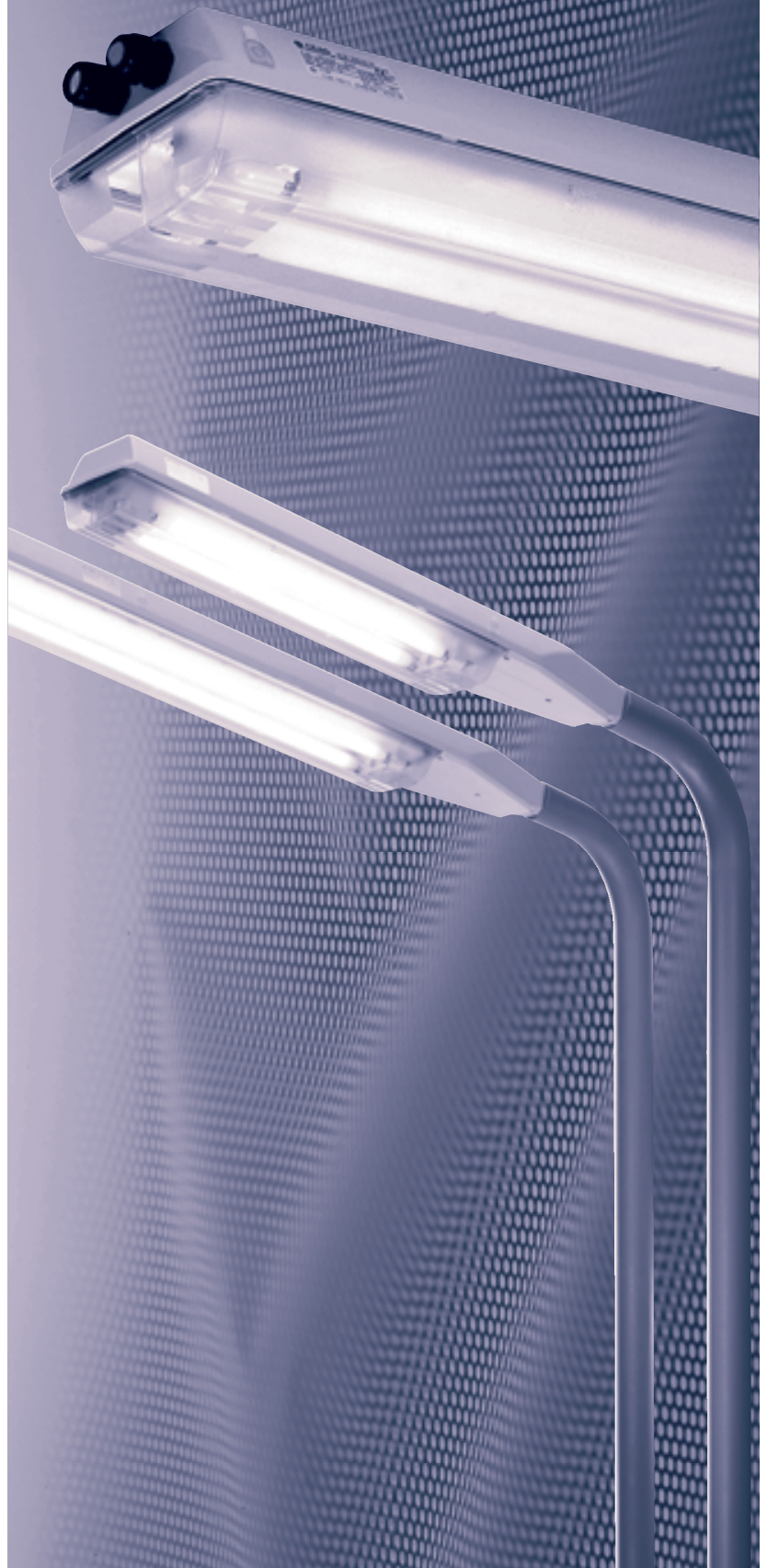


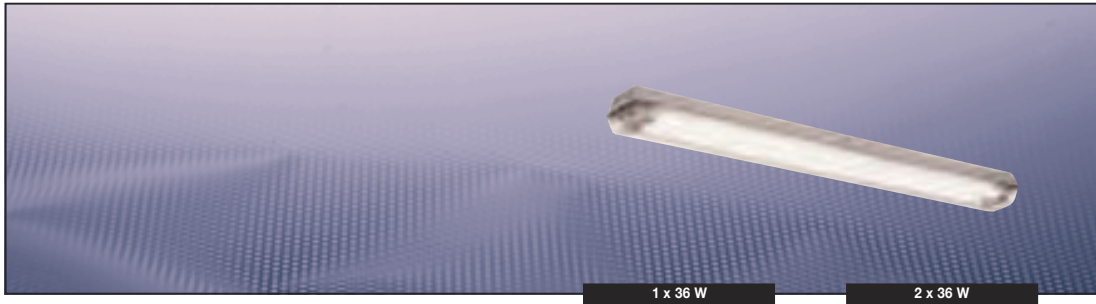
E X - L I G H T F I T T I N G S

eLLK 92... 18 W - 58 W
All plastic design for Zone 1 and 21

The eLLK 92 Ex-protected light fittings for bi-pin fluorescent lamps are fitted with an electronic ballast and conform to the ATEX Directive 94/9/EG. The modern economical ballast EVG 09 according to the latest standards (IEC 60079-7: 2006) allows a safe and economical operation of bi-pin fluorescent lamps G13 according to IEC 60081. Lamps reaching its end of life will be monitored and securely switched off (EOL-effect). The high input voltage range allows international use. Due to the standard dual channel architecture (with double lamp fittings) if one fluorescent lamp fails, the other fluorescent lamp will independently stay in operation. The standard single-sided through-wiring in connection with the variety of possibilities offers a cost efficient installation. Double-sided lock with 10, 20 or 24 latch points allows the protective bowl to be hingeable on both sides meaning the fitting can be mounted without having to pay attention to which side is the right side. Automatic switch built as a safety disconnecter according to EN 60947 (IEC 664) with an automatic switch ensuring the disconnection of all exposed components when the fitting is opened. The optional CG-S module represents an optimum solution for the individual monitoring of light fittings connected to CEAG emergency battery systems.



- Standard dual channel ballast
- Double-sided safety lock
- Safety locking system due to an integrated forced isolating switch
- Safety standard IP66
- Connection to CEAG emergency light monitoring systems possible
- International Approvals



Technical data

eLLK 92018/18 eLLK 92036 / eLLK 92036/36 eLLK 92058 / eLLK 92058/58	
Marking to 94/9/EC	⊕ II 2 G Ex de IIC T4 / ⊕ II 2 G Ex de mb II T4 (CG-S variant) ⊕ II 2 D Ex tD A21 IP66 T80 °C
EC-Type Examination Certificate	BVS 09 ATEX E 034
IECEX-Certificate of Conformity	IECEX BVS 09.0033
Marking to IECEx	Ex de mb IIC T4 Ex tD A21 IP66 T 80 °C
Permissible ambient temperature	-25 °C to +55 °C (U _n ≥ 220 V) -25 °C to +50 °C (U _n < 220 V) ¹⁾
Frequency	50 - 60 Hz
Power factor cos φ	≥ 0.95
Circuit	EVG resp. EVG/CG-S
Connecting terminals	L1, L2, L3, L, N, PE; max. 2 x 6 mm ² per terminal
Insulation class	I
Lamp cap	G13 accd. to IEC 60081
Degree of protection accd. EN 60529	IP66
Cable glands/gland plates/enclosure entry holes	Ex-e cable glands M25 x 1.5 (plastic) for cables from Ø 8 - 17 mm, Option: M20 x 1.5 metal thread
Enclosure material	Glass-fibre reinforced polyester
Protective cover/protective bowl	Polycarbonate

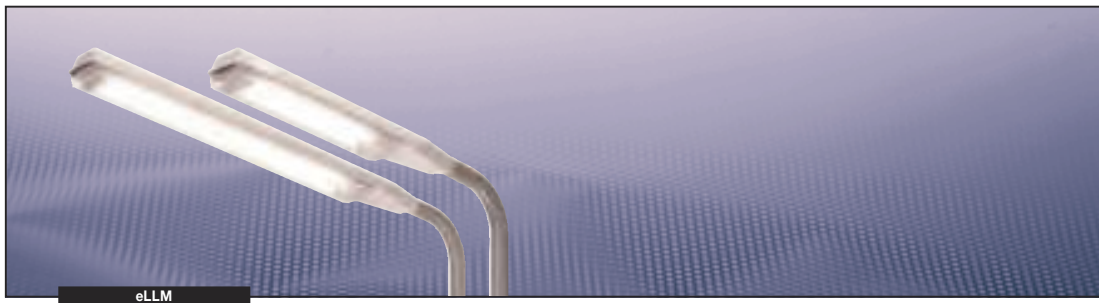
	eLLK 92018/18	eLLK 92036	eLLK 92036/36
Rated voltage	110 - 254 V AC / 110 - 250 V DC	110 - 254 V AC / 110 - 250 V DC	110 - 254 V AC / 110 - 250 V DC
Rated voltage CG-S	220 - 254 V AC / 195 - 250 V DC	220 - 254 V AC / 195 - 250 V DC	220 - 254 V AC / 195 - 250 V DC
Rated current	0.18 A 0.19 A (CG-S variant)	0.18 A	0.34 A 0.35 A (CG-S variant)
Lamp/illuminant	2 x T26 / 18 W (T8)	1 x T26 / 36 W (T8)	2 x T26 / 36 W (T8)
Rated luminous flux ²⁾	2700 lm	3350 lm	6700 lm
Light efficiency in operation	78 %	86 %	78 %
Dimensions (L x W x H)	760 x 188 x 130 mm	1360 x 188 x 130 mm	1360 x 188 x 130 mm
Weight	approx. 5.2 kg / approx. 5.6 kg (CG-S variant)	approx. 7.2 kg	approx. 7.4 kg / approx. 7.7 kg (CG-S variant)

	eLLK 92058	eLLK 92058/58
Rated voltage	220 - 254 V AC / 195 - 250 V DC	220 - 254 V AC / 195 - 250 V DC
Rated voltage CG-S	220 - 254 V AC / 195 - 250 V DC	220 - 254 V AC / 195 - 250 V DC
Rated current	0.27 A	0.53 A / 0.54 A (CG-S variant)
Lamp/illuminant	1 x T26 / 58 W (T8)	2 x T26 / 58 W (T8)
Rated luminous flux ²⁾	5200 lm	10400 lm
Light efficiency in operation	83 %	72 %
Dimensions (L x W x H)	1660 x 188 x 130 mm	1660 x 188 x 130 mm
Weight	approx. 8.2 kg	approx. 9.1 kg / approx. 9.6 kg (CG-S variant)

¹⁾ eLLK 92058/58: max. +40 °C

²⁾ depends on used lamps

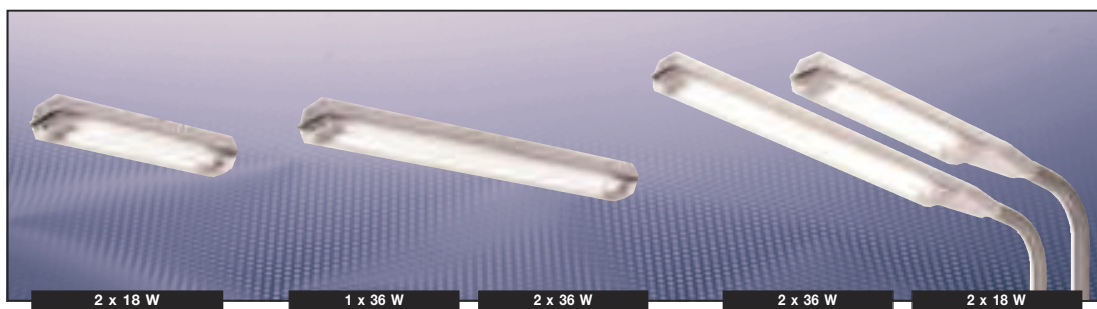
| eLLM 92.../.. |



Technical data

eLLM 92018/18 eLLM 92036/36	
Marking to 94/9/EC	II 2 G Ex de IIC T4 II 2 D Ex tD A21 IP66 T80 °C
EC-Type Examination Certificate	BVS 09 ATEX E 034
IECEX-Certificate of Conformity	IECEX BVS 09.0033
Marking to IECEx	Ex de IIC T4 Ex tD A21 IP66 T80 °C
Permissible ambient temperature	-25 °C to +55 °C ($U_n \geq 220$ V) -25 °C to +50 °C ($U_n < 220$ V)
Rated voltage	110 - 254 V AC / 110 - 250 V DC
Frequency	50 - 60 Hz
Power factor $\cos \varphi$	≥ 0.95
Circuit	EVG
Connecting terminals	L1, N, PE; max. 2 x 6 mm ² per terminal
Insulation class	I
Lamp cap	G13 accd. to IEC 60081
Degree of protection accd. EN 60529	IP66
Cable glands/gland plates/enclosure entry holes	Ex-e cable glands M25 x 1.5 (plastic) for cables from Ø 8 - 17 mm
Enclosure material	Glass-fibre reinforced polyester
Protective cover/protective bowl	Polycarbonate

	eLLM 92018/18	eLLM 92036/36
Rated voltage	110 - 254 V AC / 110 - 250 V DC	
Rated current	0.18 A	0.34 A
Lamp/illuminant	2 x T26 / 18 W (T8)	2 x T26 / 36 W (T8)
Rated luminous flux ¹⁾	2700 lm	6700 lm
Light efficiency in operation	78 %	78 %
Dimensions (L x W x H)	1060 x 188 x 130 mm	1660 x 188 x 130 mm
Pole socket	Ø 44 mm x 150 mm	Ø 44 mm x 150 mm
Weight	approx. 7.0 kg	approx. 9.5 kg



Ordering details

Type	Terminals	Through-wiring		Cable glands ³⁾	Plugs	Order No.
		single-ended	double-ended			
eLLK 92018/18 (2 x 18 W)						
1/6-1	1 x 6	x	–	2 x M25 x 1.5	1 x blanking	1 2265 875 101
2/6-2	2 x 6	–	x	2 x M25 x 1.5	2 x threaded	1 2265 875 103
1/6-1 M ¹⁾	1 x 6	x	–	2 x M20 x 1.5	1 x threaded	1 2265 875 109
2/6-2 M ¹⁾	2 x 6	–	x	4 x M20 x 1.5	2 x threaded	1 2265 875 111
eLLK 92018/18 (2 x 18 W)						
Level gauge P2	1 x 6	x	–	2 x M25 x 1.5	1 x blanking	1 2265 875 126
eLLK 92018/18 CG-S²⁾ (2 x 18 W)						
2/6-2	2 x 6	–	x	2 x M25 x 1.5	2 x threaded	1 2265 881 103
2/6-2M ¹⁾	2 x 6	–	x	4 x M20 x 1.5	2 x threaded	1 2265 881 211
eLLM 92018/18 (2 x 18 W)						
1/6-1	1 x 3	–	–	1 x M25 x 1.5		1 2268 875 101
eLLK 92036 (1 x 36 W)						
1/6-1	1 x 6	x	–	2 x M25 x 1.5	1 x blanking	1 2263 875 101
2/6-2	2 x 6	–	x	2 x M25 x 1.5	2 x threaded	1 2263 875 103
1/6-1 M	1 x 6	x	–	2 x M20 x 1.5	1 x threaded	1 2263 875 111
eLLK 92036 (1 x 36 W)						
Level gauge P3 1/6-1	1 x 6	x	–	2 x M25 x 1.5	1 x blanking	1 2263 875 125
eLLK 92036/36 (2 x 36 W)						
1/6-1	1 x 6	x	–	2 x M25 x 1.5	1 x blanking	1 2266 875 101
2/6-2	2 x 6	–	x	2 x M25 x 1.5	2 x threaded	1 2266 875 103
1/6-1 M ¹⁾	1 x 6	x	–	2 x M20 x 1.5	1 x threaded	1 2266 875 109
2/6-2 M ¹⁾	2 x 6	–	x	4 x M20 x 1.5	2 x threaded	1 2266 875 111
eLLK 92036/36 CG-S²⁾ (2 x 36 W)						
2/6-2	2 x 6	–	x	2 x M25 x 1.5	2 x threaded	1 2266 881 103
2/6-2M ¹⁾	2 x 6	–	x	4 x M20 x 1.5	2 x threaded	1 2266 881 211
eLLM 92036/36 (2 x 36 W)						
1/6-1	1 x 3	–	–	1 x M25 x 1.5		1 2269 875 101
eLLK 92058 (1 x 58 W)						
1/6-1	1 x 6	x	–	2 x M25 x 1.5	1 x blanking	1 2264 875 101
2/6-2	2 x 6	–	x	2 x M25 x 1.5	2 x threaded	1 2264 875 103
2/6-2 M ¹⁾	2 x 6	–	x	4 x M20 x 1.5	2 x threaded	1 2264 875 111
eLLK 92058/58 (2 x 58 W)						
1/6-1	1 x 6	x	–	2 x M25 x 1.5	1 x blanking	1 2267 875 101
2/6-2	2 x 6	–	x	2 x M25 x 1.5	2 x threaded	1 2267 875 103
2/6-2 M ¹⁾	2 x 6	–	x	4 x M20 x 1.5	2 x threaded	1 2267 875 111
eLLK 92058/58 CG-S²⁾ (2 x 58 W)						
2/6-2	2 x 6	–	x	2 x M25 x 1.5	2 x threaded	1 2267 881 103
2/6-2 M ¹⁾	2 x 6	–	x	4 x M20 x 1.5	2 x threaded	1 2267 881 211

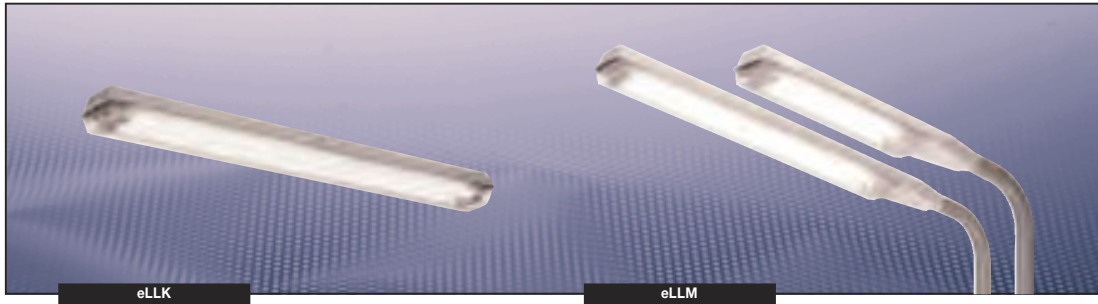
¹⁾ M: with metal thread, without cable gland

²⁾ CG-S: design single monitored emergency light fitting for use in CEAG emergency light supply unit

³⁾ With dustcover if entry/thread is not closed

Scope of delivery without lamp and fixing accessories.

| eLLK 92... (18-58 W) | eLLM 92.../.. (18 + 36 W) |



Accessories

Lamp for luminaire eLLK92/eLLM92			
Type of lamp socket/ diameter	Power	Luminous flux light colour	Order No.
Bi-pin socket G13 T26/Ø 26 mm (T8) G13-60081-IEC-2220-1	18 W	1350 lm white	3 2475 900 001
Bi-pin socket G13 T26/Ø 26 mm (T8) G13-60081-IEC-2420-1	36 W	3350 lm white	3 2475 900 002
Bi-pin socket G13 T26/Ø 26 mm (T8) G13-60081-IEC-2520-1	58 W	5200 lm white	3 2475 900 003
Aura-Ultimate T26/Ø 26 mm (T8) Longlife	18 W 36 W	1300 lm white 3350 lm white	3 2475 900 087 3 2475 900 088
G13-socket	58 W	5200 lm white	on request
Aura Super Ex T-HS 26/Ø 26 mm ¹⁾	18 W 36 W	1150 lm white 3000 lm white	3 2475 900 084 3 2475 900 085
Single pin cap Fa6	58 W	4800 lm white	on request

Series eLLK 92... and eLLM 92...

Type	Order No.
Hexagon screw SW 13	3 2485 000 005

Series eLLM 92018/18 and eLLM 92036/36

Type	Order No.
Single sided through wiring 2/6 with 2 entries M25, incl. terminals and mounting material	2 2218 602 000

Fixing materials eLLK 92

Type/code	Corrosion protection	Qty. per light fitting	Order No.
Eye bolt A2	galvanized	2	2 2480 002 000
Hexagon screw S4	stainless steel	2	2 2480 054 000
Ceiling mounting bracket D92 incl. screws and washer	stainless steel	2	2 2480 092 000

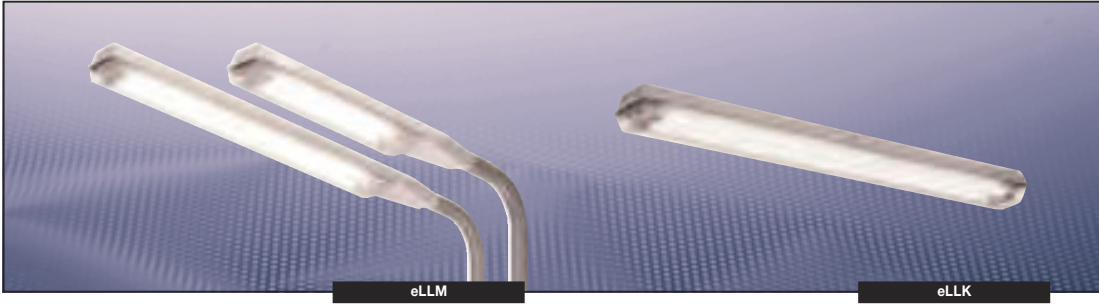
Fixing materials

Type/code	Corrosion protection	for pipes DIN	Outer Ø D (mm)	Qty. per light fitting	Order No.
Pipe clamp R12	hot galvanized	1 1/4"	38 - 42	2	2 2480 462 000
R14	CrNi	1 1/4"	38 - 42	2	2 2480 464 000
R22	hot galvanized	1 1/2"	47 - 51	2	2 2480 472 000
R24	CrNi	1 1/2"	47 - 51	2	2 2480 474 000
R32	hot galvanized	2"	56 - 60	2	2 2480 482 000
R34	CrNi	2"	56 - 60	2	2 2480 484 000
Wall bracket W27	hot galvanized		42.4	1	2 2483 027 000
Luminaire wall suspension 30° incl. screws and washer	hot galvanized			2	2 2480 000 122

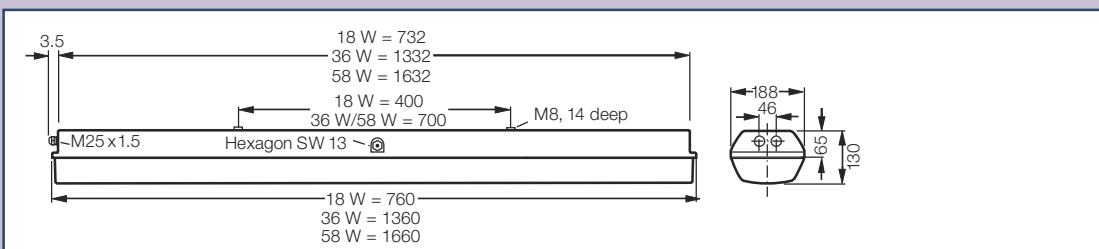
¹⁾ For luminaires eLLK 923../.. and eLLM 923../.. with single pin caps Fa6

Metal cable glands M20/M25 see page 8.10.

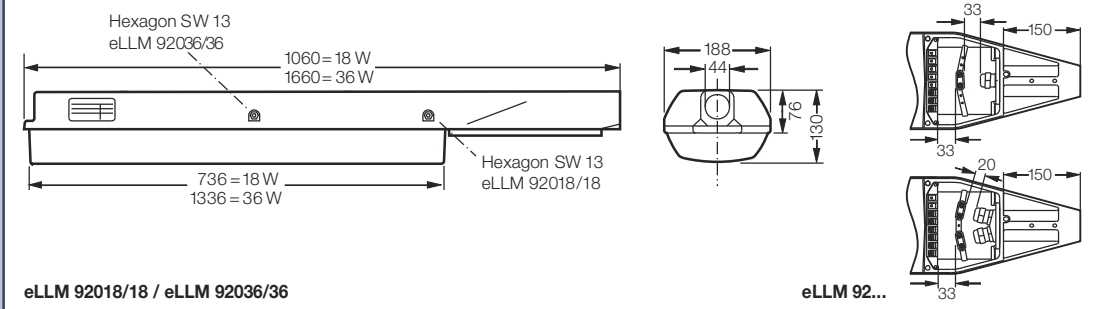
Complete Mounting Systems see page 2.70 to 2.76.



Dimension drawing | Polar curve | Accessories

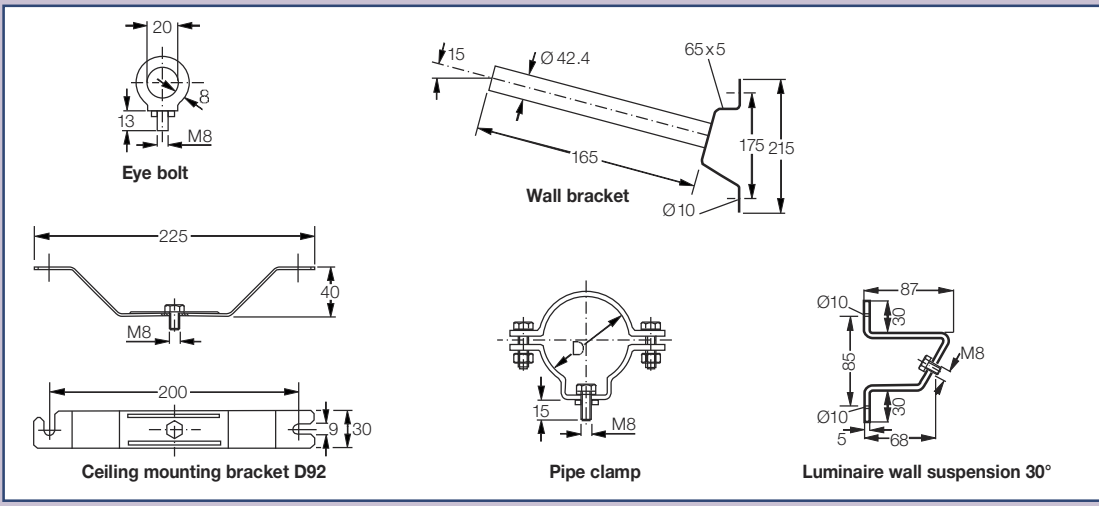
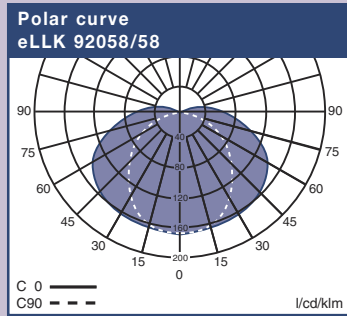
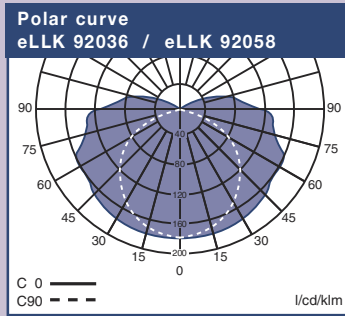
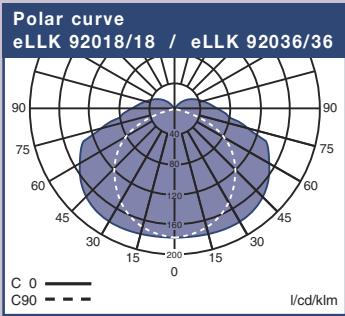


eLLK 92018/18 / eLLK 92036 / eLLK 92036/36 / eLLK 92058 / eLLK 92058/58



eLLM 92018/18 / eLLM 92036/36

eLLM 92...



Dimensions in mm

EX - EMERGENCY LIGHT FITTINGS

eLLK 92... NIB/eLLM 92... NIB 18 W - 36 W
All-plastic for Zone 1 and 21

The new Ex-emergency light fittings with self-contained battery unit, types eLLK 92... NIB, for bi-pin fluorescent lamps are fitted with an electronic ballast (EVG). They meet the requirements of ATEX Directive 94/9/EC. The electronic ballast EVG 09, according to the newest standard (IEC 60079-7:2006) enables the safe and economic use of G13 bi-pin lamps acc. to IEC 60081. Lamps are monitored and safety shut down at the event that the lamp does not strike. Due to a new charging and monitoring technology with intelligent microelectronics, they provide reliable safety and reduced maintenance costs. A function test lasting 5 minutes, that is carried out automatically on a weekly basis, even during mains operation, and a quarterly partial duty-cycle test provide additional safety and drastically reduce the necessary amount of manual tests. The charging and discharging functions are monitored constantly by the micro-processor and are indicated via a diode display. Only the spent energy is recharged – therefore, overcharging is not possible. The so-called memory effect cannot occur – the service life of the battery is optimized. The need to replace a battery, a fault in the emergency lighting circuit or a faulty battery is indicated by the LED display. Due to a new type of battery connection, the battery can be replaced in the hazardous area. The emergency lighting cycle can be set locally for 1.5 or 3 hours. A remote switch inquiry is standard.

Two-channel EVG with EOL monitoring as standard

Automatic weekly 5 minute function test

Automatic quarterly partial duty cycle test

Fault indication by flashing red LED with reset after fault elimination

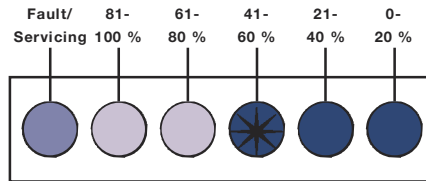
Monitoring of battery cells with fault indication

Capacity-dependant charging: indication of charged capacity and remaining operating time by 5 green LEDs

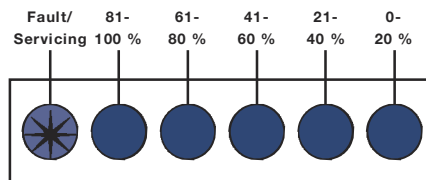
Easy replacement of battery, even in Ex-area

International approvals





Capacity larger than 40 %, Charging (flashing), no faults



Capacity 100 %, Charging, Fault after Function or duty cycle



Emergency light fittings with self-contained battery systems

Emergency light fittings with self-contained battery systems provide the required emergency lighting from a decentralized source and function independent of the central system. These light fittings are particularly economical when used in extensive plants. Until now, compared to the centrally operated and monitored installations, the disadvantage of the emergency light fittings with self-contained battery systems was that they do not supply any information on the state of the light fittings. With the introduction of the eLLK 92 NIB, Cooper Crouse-Hinds GmbH has now incorporated monitoring. Five LEDs supply constant information on the charging state, and the available battery capacity.

Monitoring functions NIB

A novelty is the enlarged self-monitoring function with automatic function and duration tests. For further safety, all battery cells are permanently monitored. In the event of a fault, the red LED lights up. Then the battery must be changed. Resetting is not possible for safety reasons.

Guarded by a lens, the 5 green LEDs continuously indicate the charging state and the battery capacity. Charging is indicated by flashing green LEDs. The loaded capacity is shown in 20 % steps. An automatic 5 minute function test is carried out on a weekly basis. Thereby, the electronics of the emergency lamp switches from mains to emergency operation, while the mains lamp stays in normal operation. The battery capacity and also the converter- and lamp-function is being tested and possible faults are shown by a flashing red LED. After removing the fault (p.e. by lamp change) and a new function test the fault indication resets automatically.

A partial duty cycle-test (35 min.) is initiated automatically after approx. 3 months. If the min. operation time of 30 minutes is not reached, this is indicated by a flashing red LED. When the cause of the fault has been eliminated, the fault indication is reset during the next emergency lighting operation (manual or automatic) when the minimum operating time of approx. 30 minutes has been reached.

Handling

The battery is installed in a separate, certified housing. There are up to 7 Ex-d connectors for the data transfer between the battery unit and the luminaire. Therefore, a battery change is also possible in hazardous areas – at any time. If the luminaire is closed all contacts are safely closed (Fig. 1).

After opening

After loosening the screw plug the battery can be taken away. Thereby the Ex-d switching contact first is cutoff and disconnect the battery circuit (Fig. 2). So the battery can be completely cut off from the charging circuit of the luminaire (Fig. 2a). A battery change in hazardous areas can be done at every time. A detachable strap protects the insert from being dropped inadvertently (Fig. 3).

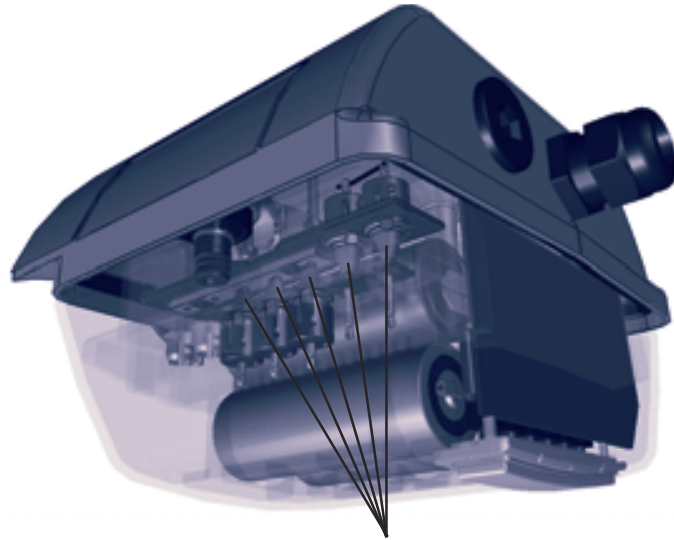


Fig. 1: Ex-d Contact pins

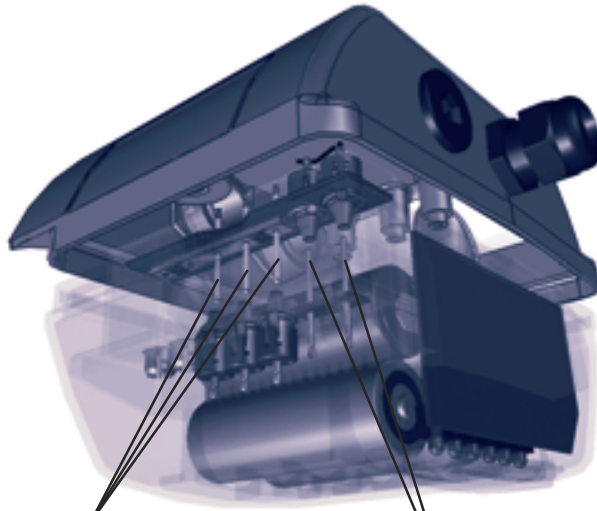
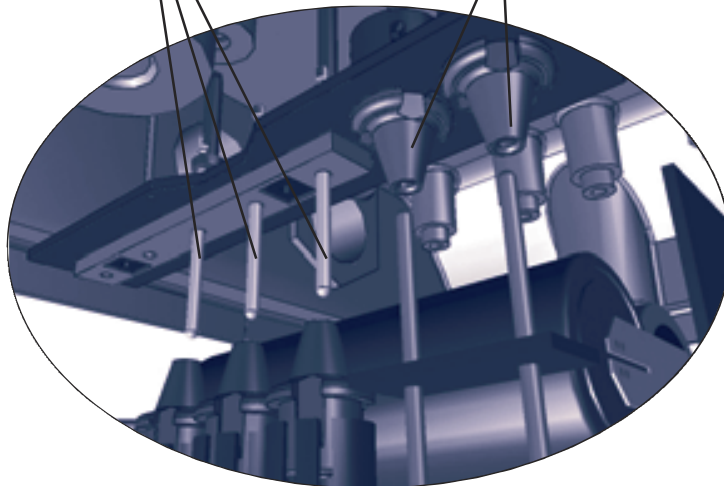


Fig. 2: Ex-d contact for battery circuit

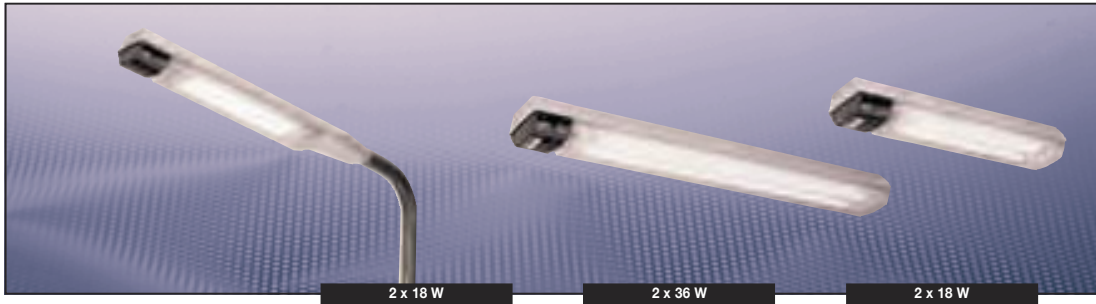
Fig. 2 a: Ex-d switching contact



Fig. 3



| eLLK 92018/18 NIB | eLLK 92036/36 NIB | eLLM 92018/18 NIB |



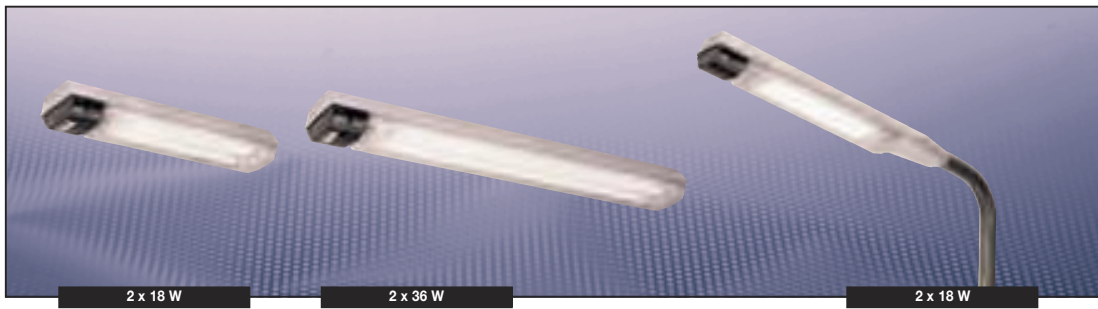
Technical data

eLLK 92018/18 NIB eLLK 92036/36 NIB eLLM 92018/18 NIB	
Marking to 94/9/EC	⊕ II 2 G Ex de mb ib IIC T4 / ⊕ II 2 D Ex tD A21 IP66 T80 °C
EC-Type Examination Certificate	BVS 09 ATEX E 034
IECEX-Certificate of Conformity	IECEX BVS 09.0033
Marking to IECEX	Ex de mb [ib] IIC T4 Ex tD A21 IP66 T80 °C
Permissible ambient temperature	-25 °C to +50 °C (specified data: -5 °C to +35 °C)
Rated voltage	220 - 254 V AC
Rated voltage (option)	110 - 127 V AC
Frequency	50 - 60 Hz
Power factor cos φ	≥ 0.95
Circuit	EVG with emergency lighting supply
Insulation class	I
Lamp cap	G13 accord. to IEC 60081
Light efficiency in operation	78 %
Battery	Battery set with 7 Ah-NC battery, with LED display and monitoring via microprocessor
Rated emergency lighting operation	1-lamps can be set on site for an emergency lighting duration of 1.5 or 3 hours
Charging duration	> 14 h
Degree of protection accord. EN 60529	IP66
Cable glands/gland plates/enclosure drilling	Ex-e cable glands M25 x 1.5 (plastic) for cables from Ø 8 - 17 mm, Option: M20 x 1.5 metal thread (eLLK 92 NIB)
Enclosure material	Glass-fibre reinforced polyester
Protective cover/protective bowl	Polycarbonate

	eLLK 92018/18 NIB	eLLK 92036/36 NIB	eLLM 92018/18 NIB
Rated current	0.23 A	0.40 A	0.23 A
Connecting terminals	L1, L2, L3, L, N, PE; max. 2 x 6 mm ² per terminal	L1, L2, L3, L, N, PE; max. 2 x 6 mm ² per terminal	L1, L2, L3, L, N, PE; max. 2 x 6 mm ² per terminal
Lamp/illuminant	2 x T26 / 18 W (T8)	2 x T26 / 36 W (T8)	2 x T26 / 18 W (T8)
Rated luminous flux ¹⁾	2700 lm	6700 lm	2700 lm
Luminous flux in emergency operation (1.5 h, one lamp) ¹⁾	1215 lm (90 %)	1507 lm (45 %)	1215 lm (90 %)
Luminous flux in emergency operation (3 h, one lamp) ¹⁾	607 lm (45 %)	873 lm (25 %)	607 lm (45 %)
Dimensions (L x W x H)	900 x 188 x 130 mm	1500 x 188 x 130 mm	1205 x 188 x 130 mm
Pole socket			Ø 44 x 150 mm
Weight	approx. 8.8 kg	approx. 12 kg	approx. 10.5 kg

¹⁾ depends on used lamps

| eLLK 92018/18 NIB | eLLK 92036/36 NIB | eLLM 92018/18 NIB |



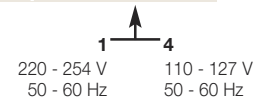
Ordering details

Type	Terminals	Through-wiring		Cable glands ²⁾	Plugs	Order No.
		single-ended	double-ended			
eLLK 92018/18 NIB (2 x 18 W)						
1/6-1	1 x 6	x	–	2 x M25 x 1.5	1 x blanking	1 2260 879 101
2/6-2	2 x 6	–	x	2 x M25 x 1.5	2 x threaded	1 2260 879 103
2/6-2 M ¹⁾	2 x 6	–	x	4 x M20 x 1.5	3 x threaded	1 2260 879 111
eLLK 92036/36 NIB (2 x 36 W)						
1/6-1	1 x 6	x	–	2 x M25 x 1.5	1 x blanking	1 2261 879 101
2/6-2	2 x 6	–	x	2 x M25 x 1.5	2 x threaded	1 2261 879 103
2/6-2 M ¹⁾	2 x 6	–	x	4 x M20 x 1.5	3 x threaded	1 2261 879 111
eLLM 92018/18 NIB (2 x 18 W)						
2/6-1	1 x 8	x	–	1 x M25	–	1 2273 879 101

¹⁾ M: with metal thread, without cable gland

²⁾ With dustcover if entry/thread is not closed

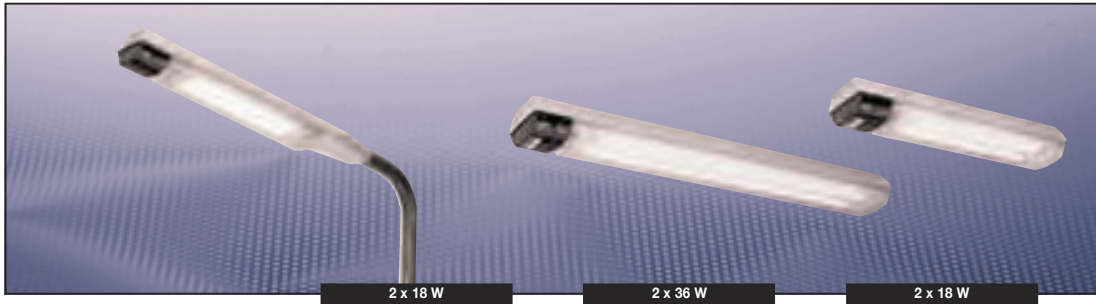
Scope of delivery without lamp and fixing accessories



Accessories

Lamp for luminaire eLLK92... NIB/eLLM92... NIB			
Type of lamp socket/ Diameter	Power	Luminous flux Light colour	Order No.
Bi-pin socket G13 T26/Ø 26 mm (T8) G13-60081-IEC-2220-1	18 W	1350 lm white	3 2475 900 001
Bi-pin socket G13 T26/Ø 26 mm (T8) G13-60081-IEC-2420-1	36 W	3350 lm white	3 2475 900 002
Aura-Ultimate T26/Ø 26 mm (T8) Longlife Socket G13	18 W 36 W	1300 lm white 3350 lm white	3 2475 900 087 3 2475 900 088
Aura Super Ex T-HS 26/Ø 26 mm ¹⁾ Single pin cap Fa6	18 W 36 W	1150 lm white 3000 lm white	3 2475 900 084 3 2475 900 085

¹⁾ For luminaires eLLK 923../.. and eLLM 923../.. single-pin caps Fa6



Accessories

Series eLLK 92... NIB and eLLM 92... NIB

Type	Order No.
Hexagon key SW 13	3 2485 000 005

Series eLLM 92018/18 NIB and eLLM 92036/36 NIB

Type	Order No.
Single sided through wiring 2/6 with 2 entries M25, incl. terminals and mounting material	2 2218 602 000

Fixing materials eLLK 92... NIB

Type/code	Corrosion protection	Qty. per light fitting	Order No.
Eye bolt A2	galvanized	2	2 2480 002 000
Hexagon screw S4	stainless steel	2	2 2480 054 000
Ceiling mounting bracket D92 incl. screws and washer	stainless steel	2	2 2480 092 000

Fixing materials

Type/code	Corrosion protection	for pipes DIN	Outer Ø D (mm)	Qty. per light fitting	Order No.
Pipe clamp R12	hot galvanized	1 1/4"	38 - 42	2	2 2480 462 000
R14	CrNi	1 1/4"	38 - 42	2	2 2480 464 000
R22	hot galvanized	1 1/2"	47 - 51	2	2 2480 472 000
R24	CrNi	1 1/2"	47 - 51	2	2 2480 474 000
R32	hot galvanized	2"	56 - 60	2	2 2480 482 000
R34	CrNi	2"	56 - 60	2	2 2480 484 000
Wall bracket W27	hot galvanized		42.4	1	2 2483 027 000
Luminaire wall suspension 30° incl. screws and washer	hot galvanized			2	2 2480 000 122

Battery

Type	Order No.
eLLK 92..., eLLM 92... NIB Battery set type 2710-3 with LED display and micro-processor monitoring, complete	2 2710 904 000

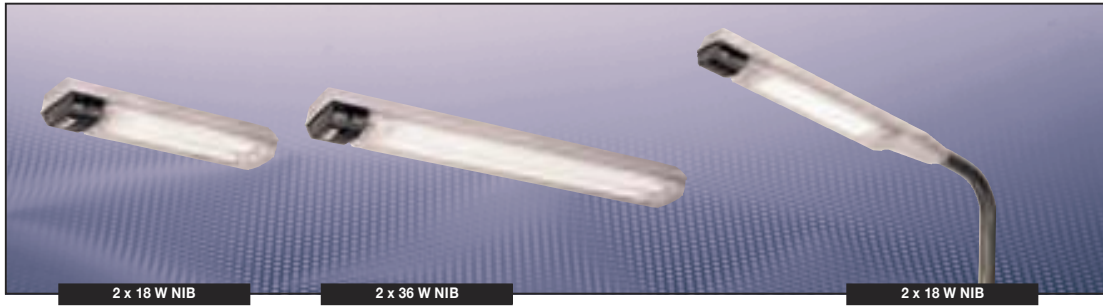
¹⁾ For luminaires eLLK 923../.. and eLLM 923../.. with single pin caps Fa6

Metal cable glands M20/M25 see page 8.10.

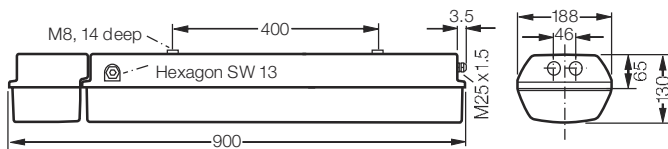
Complete Mounting Systems see page 2.70 to 2.76.



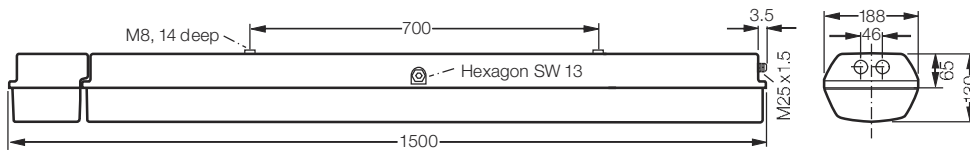
| eLLK 92018/18 NIB | eLLK 92036/36 NIB | eLLM 92018/18 NIB |



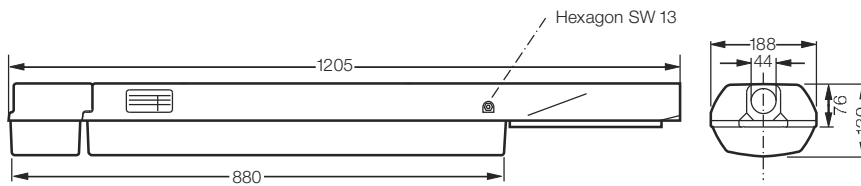
Dimension drawing | Polar curve



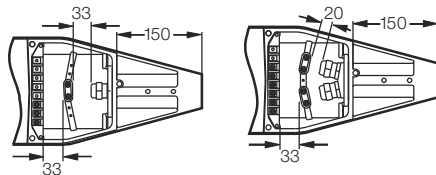
eLLK 92018/18 NIB



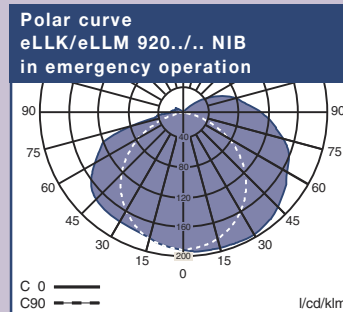
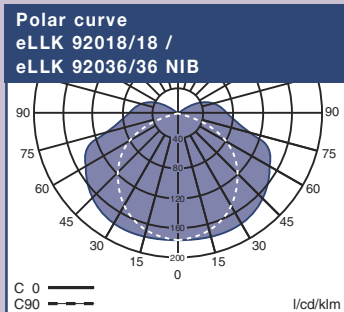
eLLK 92036/36 NIB



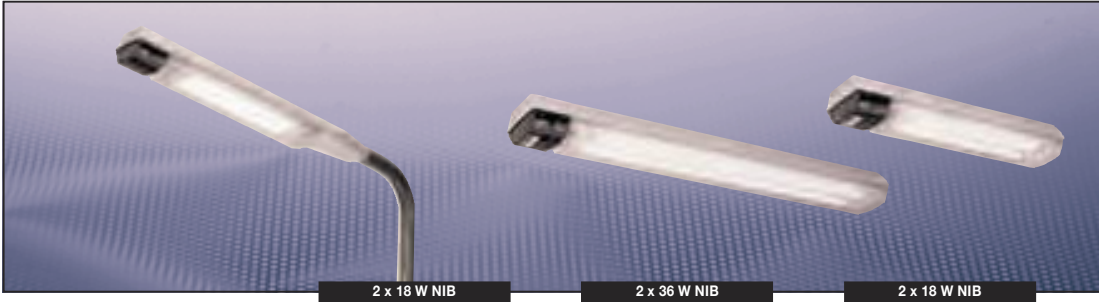
eLLM 92018/18 NIB



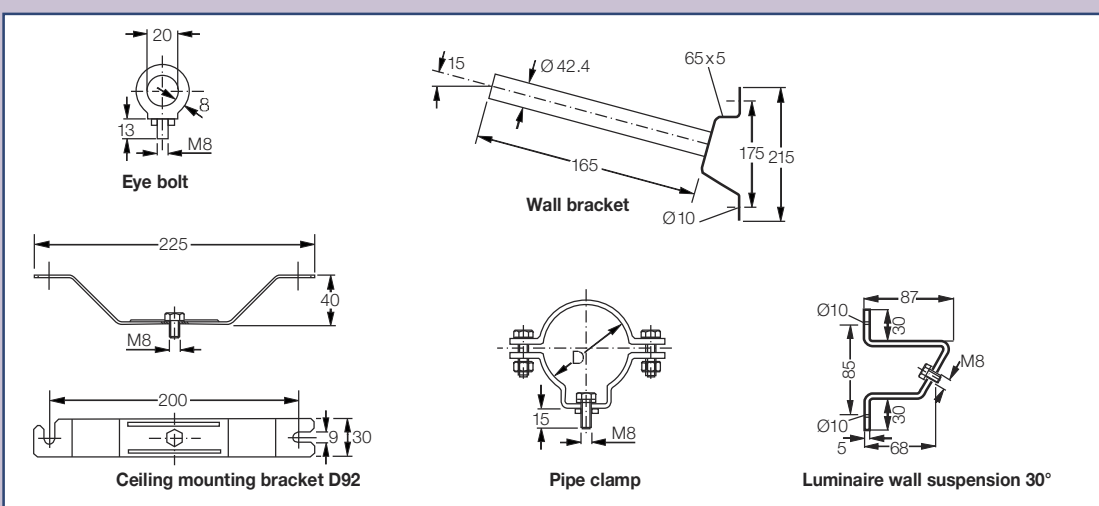
eLLM 92018/18 NIB



Dimensions in mm



Dimension drawing



Dimensions in mm