

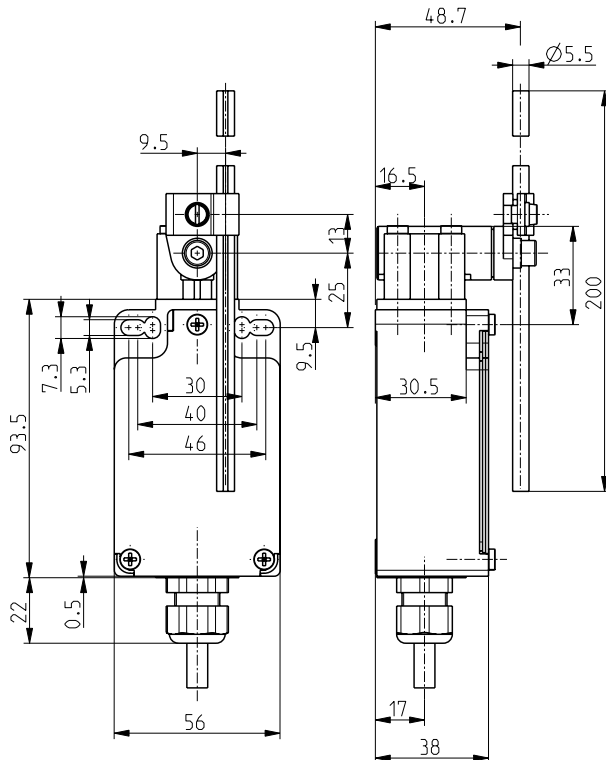


Ex position switches with/without safety function // Ex T 356 4V10H 10/1S-2m Order no.: 96025302

Features/Options

- Ex zone 1 and 21
- Thermoplastic enclosure with metal cover
- Mounting dimensions and switching points to EN 50041
- Actuator: Rod lever 4V10H
- Actuator type D to EN 50041
- Actuating speed max. 2.5 m/s with an actuating angle of $\alpha = 30^\circ$
- Actuator head can be repositioned in $4 \times 90^\circ$ steps
- Angle of offset roller lever can be adjusted in 10° steps
- N.B.: Please state required approvals for Russia, China, Brazil and North America with your order!

Dimensions



Technical data

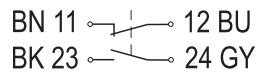
Standards	EN 60947-5-1; EN 1088; EN 60079-0, EN 60079-1, EN 60079-31
Enclosure	glass-fibre reinforced, shock-proof thermoplastic, self-extinguishing steel enamelled
Cover	Ex 13
Switch insert	IP 65 to IEC/EN 60529
Degree of protection	silver
Contact material	slow action, positive break NC contact \ominus
Switching system	change-over contact with double break Zb, galvanically separated contact bridges
Switching elements	cable H05VV-F, $4 \times 0.75 \text{ mm}^2$ 2 m
Connection	4 kV
Cable length	250 V
U_{imp}	T6: 6 A, T5: 3 A
U_i	6 A/250 VAC; 0.25 A/230 VDC
I_{the}	AC-15, DC-13
I_e/U_e	6 A gL/gG D-fuse
Utilisation category	T6: $-20^\circ \text{C} \dots +65^\circ \text{C}$; T5: $-20^\circ \text{C} \dots +95^\circ \text{C}$
Max. fuse rating	> 1 million operations
Ambient temperature	1800/h
Mechanical life	$\pm 0.1 \text{ mm}$
Switching frequency	max. $2 \times 4.5 \text{ mm}$
Repeat accuracy	
Contact gap	
Ex marking	Ex II 2G Ex d IIC T6/T5 Gb, Ex II 2D Ex tb IIIC T80°C/T95°C Db IP65 IECEX Ex d IIC T6/T5 Gb, Ex tb IIIC T80°C/T95°C Db IP65
Approvals	PTB 03 ATEX 1068 X*, IECEX PTB 06.0053 X*
	*referring to the switch insert
Gewicht	420g

Errors and omissions excepted.



Ex position switches with/without safety function // Ex T 356 4V10H 1Ö/1S-2m Order no.: 96025302

Contact diagram



Switching diagram

