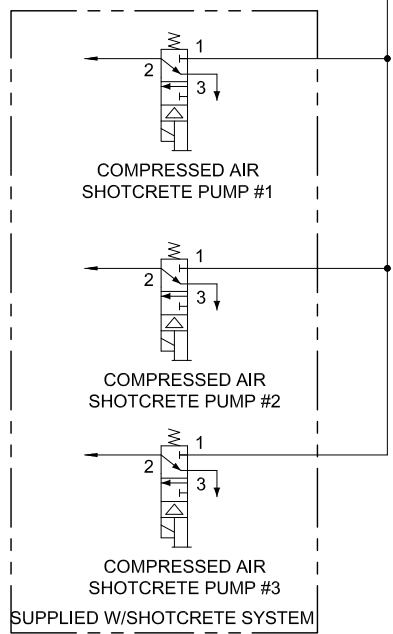
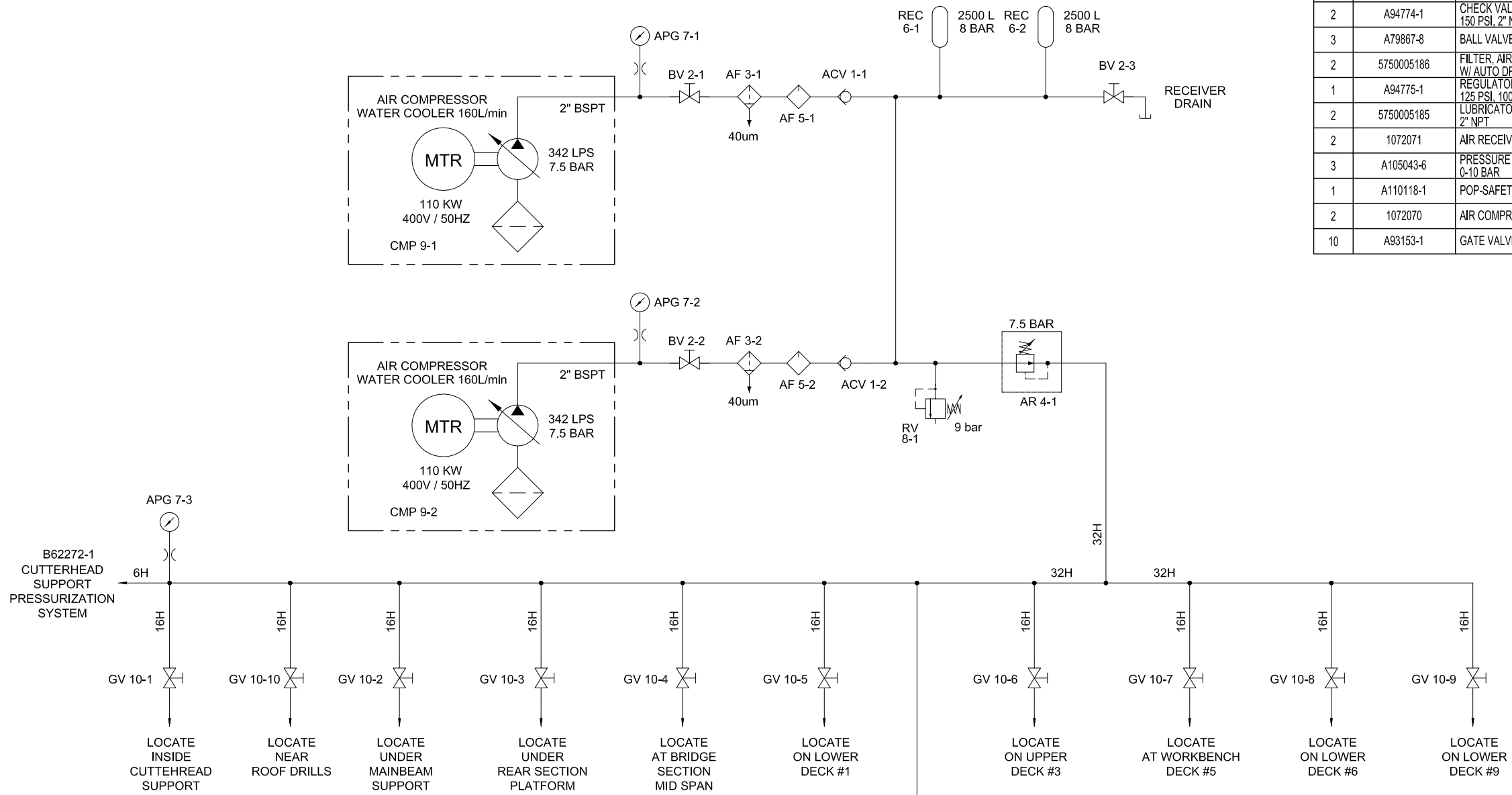


QTY	PART No.	DESCRIPTION	DWG No.	WT. Total	ITEM
2	A94774-1	CHECK VALVE 150 PSI, 2" NPT	A94774		1
3	A79867-8	BALL VALVE, 2"	A79867		2
2	5750005186	FILTER, AIR LINE W/ AUTO DRAIN 2" NPT	5750005186		3
1	A94775-1	REGULATOR, AIR LINE 125 PSI, 1000 CFM, 2" NPT	A94775		4
2	5750005185	LUBRICATOR, AIR LINE 2" NPT	5750005185		5
2	1072071	AIR RECEIVER 2500L 8 BAR	1072071		6
3	A105043-6	PRESSURE GAGE 0-10 BAR	A105043		7
1	A110118-1	POP- SAFETY RELIEF VALVE 1" NPT	A110118		8
2	1072070	AIR COMPRESSOR, M110 W7 WATER COOLED	1072070		9
10	A93153-1	GATE VALVE 1" NPT	A93153		10



B62272-1 CUTTERHEAD SUPPORT PRESSURIZATION SYSTEM

- LOCATE INSIDE CUTTEHREAD SUPPORT
- LOCATE NEAR ROOF DRILLS
- LOCATE UNDER MAINBEAM SUPPORT
- LOCATE UNDER REAR SECTION PLATFORM
- LOCATE AT BRIDGE SECTION MID SPAN
- LOCATE ON LOWER DECK #1
- LOCATE ON UPPER DECK #3
- LOCATE AT WORKBENCH DECK #5
- LOCATE ON LOWER DECK #6
- LOCATE ON LOWER DECK #9

1071427

MACHINE		NEXT ASSY	
ME286-395			
UNLESS NOTED ALL DIMS ARE mm			
TOLERANCES UNLESS NOTED			
0-300	± 0.15	F	± 0.15
300-500	± 0.3	F, K	± 0.3
500-6000	± 0.6	F, K, X, Y, Z	± 0.40
6000+	± 1.2	F, K, X, Y, Z	± 1.00
DIMENSIONS (mm)		DIMENSIONS (IN)	
HOLE		HOLE	
SURFACE		SURFACE	
FINISH		FINISH	
DIMENSIONS (IN) ARE REFERENCE		DIMENSIONS (mm) ARE REFERENCE	
ALL GEOMETRIC DIMENSIONING & TOLERANCING PER AS9114-5-2009			
REV	DESCRIPTION	REV'D BY	APPRO'D BY
D	1071427	0	1
DATE		SCALE	
10/2/13		1:1	
DRAWN BY		CHECKED BY	
D. McDONALD		D. DONLEY	
DATE		APPROVED BY	
10/2/13		D. DONLEY	
REVISED TEST		DATE	
		10/2/13	
DATE		DATE	
10/2/13		10/2/13	

Robbins

www.TheRobbinsCompany.com