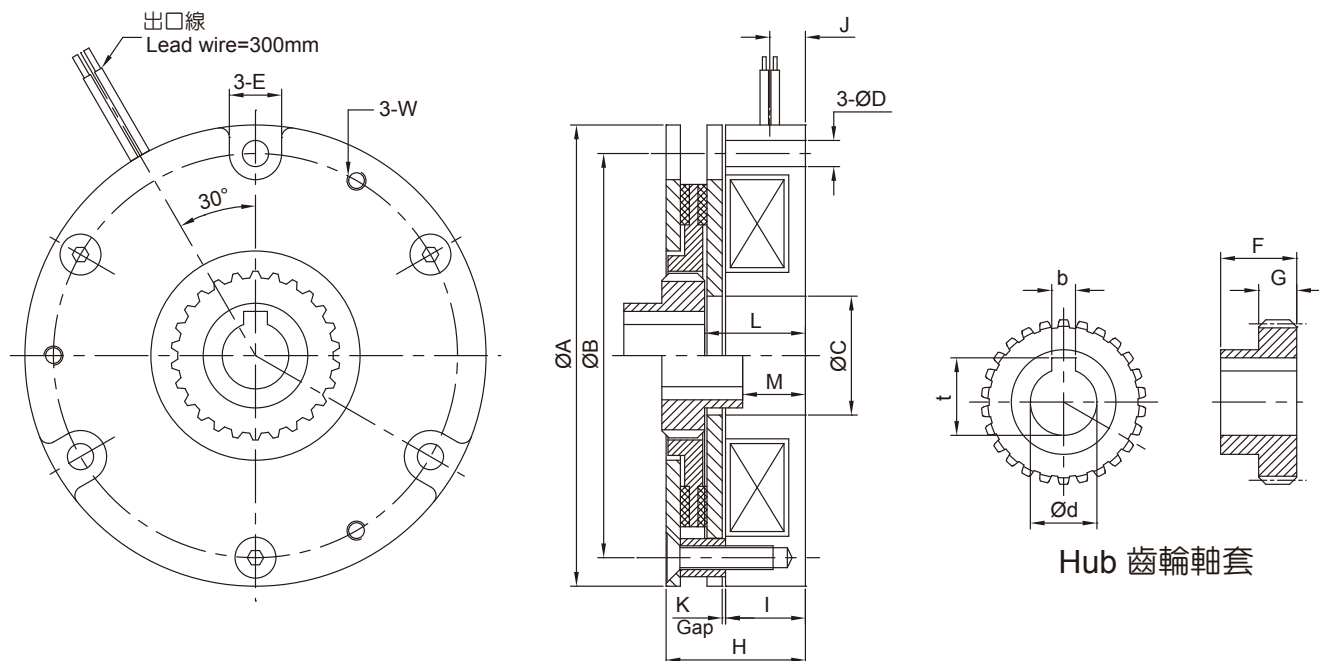


# SMB Series

## 安全煞車器



型號 MODEL	SMB0S2AA	SMB0S4AA	SMB0S8AA	SMB1S6AA	SMB003AA	SMB005AA	SMB010AA	SMB020AA	
靜摩擦力 [kgm](Nm) Static Torque	0.2 (2)	0.4 (4)	0.8 (8)	1.6 (16)	3 (30)	5 (50)	10 (100)	20 (200)	
電壓 (VDC) Voltage	24/90								
功率 (W) Power(@24°C)	10	12.5	15	18	23	27	32	45	
慣性距 J (kgcm <sup>2</sup> ) Moment of inertia J	0.09	0.16	0.29	0.84	3.2	6.45	13.65	24.3	
徑向尺寸 Radial	A	77	85	97	117	125	145	165	187
	B	68	74	85	108	112	130	150	170
	C	20	20	25	40	49	49	62	62
	D	4.5	5.5	5.5	5.5	6.6	6.5	9	9
軸向尺寸 Axial	E	10	11	11	11	14	14	18	18
	F	8	12	16	20	25	25	30	40
	G	6	7	8	10	8	8	9	9
	H	25	27.5	29.5	34.5	45.5	48	60	71
	I	15	16	16.8	19.5	26	27	32	37
	J	6.5	7	7.5	8	11	10	17	21.7
	K	0.1~0.2	0.1~0.2	0.1~0.2	0.1~0.2	0.1~0.3	0.1~0.3	0.1~0.3	0.1~0.3
	L	19.5	20.5	21.5	25	33	35	43.5	52.5
M	17.5	15.5	13.5	15	16	18	22.5	21.5	
螺孔 Screws	W	-	-	-	M5*P0.8	M5*P0.8	M6*P1.0	M6*P1.0	
孔徑 Bore	Ød H7	12	12	14	19	19	24	28	32
鍵槽 Keyway	b	4	4	5	5	5	7	7	10
	t	13.8	13.8	16.3	21.3	21.3	27	31	35.5
重量 (kg) Weight	0.6	0.8	1.1	1.8	2.8	3.8	5	12.2	