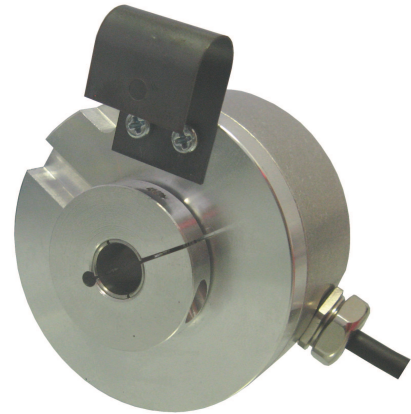


MAIN FEATURES

Encoders for industrial environments with hollow shaft, aluminum lid and insulated bearings, with excellent mechanical strength and the possibility of high radial and axial load.

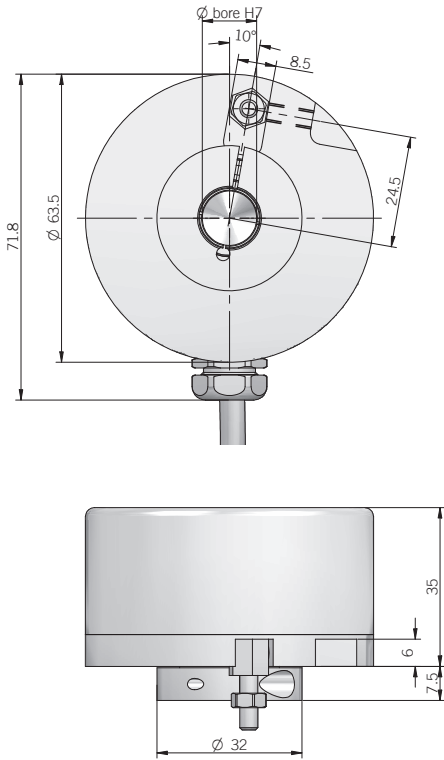


ORDERING CODE

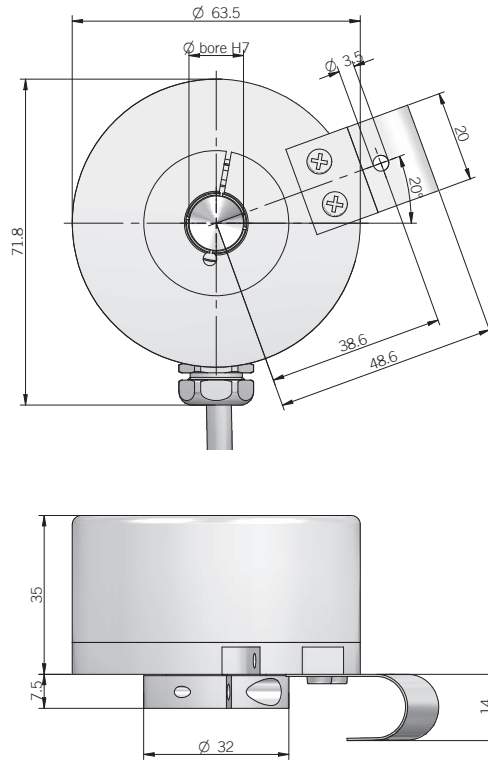
EL 63 GBM 512 Z 5/28 N 8 X 3 PR . XXX

SERIES incremental encoder series EL	SIZE external dimensions 63.5 mm 63	TYPE blind hollow shaft, metal cover, screw fixing and anti-rotation pin GBM blind hollow shaft, metal cover, screw fixing and anti-rotation spring FBM	RESOLUTION ppr from 1 to 2048	ZERO PULSE without zero pulse S with zero pulse Z	POWER SUPPLY 5 ... 28 V DC 5/28 <i>line driver available only with 5 V DC or 8 ... 24 V DC power supply</i>	VARIANT XXX custom version	OUTPUT TYPE PR cable output radial with SKINTOP (standard length 1.5 m)	MAX ROTATION SPEED 3 3000 rpm	ENCLOSURE RATING S IP 65	HOLLOW SHAFT 8 mm 10 mm 12 mm 14 mm 15 mm	ELECTRONIC INTERFACE N NPN C NPN open collector P push-pull L line driver
---	--	--	--	--	---	---	---	--	---	---	--

EL 63 GBM



EL 63 FBM



Electrical specifications

Resolution	from 1 to 2048 ppr
Power supply	5 ... 28 V DC <i>(line driver available only with 5 V DC or 8 ... 24 V DC)</i>
Current consumption without load	100 mA max
Max load current	50 mA for channel 20 mA for channel (line driver)
Signal pattern	B follows A with clockwise rotation (shaft view)
Output type for incremental signals	NPN / NPN open collector / push-pull / line driver
Max output frequency	300 kHz
Electromagnetic compatibility	IEC 61000-6-2 IEC 61000-6-3

Mechanical specifications

Shaft diameter	8 / 10 / 12 / 14 / 15 mm
Enclosure rating	IP 65 (IEC 60529)
Max rotation speed	3000 rpm
Shock	50 G, 11 ms (IEC 60068-2-27)
Vibration	10 G, 10 ... 2000 Hz (IEC 60068-2-6)
Bearing life	10 ⁹ revolutions
Bearings	2 ball bearings insulated
Shaft material	stainless steel UNI X10CrNiS1809
Body material	aluminum UNI 9002/5
Housing material	aluminum UNI 9002/5
Operating temperature	-20° ... +70°C
Storage temperature	-25° ... +70°C
Weight	300 g