



KTB 制 冷 空 调 泵
AIR-CONDITION PUMP

产品执行标准：Q/GZGY 30

用途 Application

KTB型泵是我公司专为空调制冷系统设计的单级单吸清水离心泵，主要用于中央空调冷却系统,高层建筑供水、消防增压、冷热水循环，以及在工业、农业、园艺等行业中的给排水用途。

Type KTB pump is a single stage single suction pump, It is specially designed for air-condition system, and also suitable for different kinds of water supply.

- Pumping hot and cold water for heating and cooling system
- Pressure boosting system
- Firefight system
- Liquid transfer in industry, agriculture, horticulture, etc.

输送介质 Liquids Pumped

主要供吸送稀释、清洁的、不腐蚀的清水及物理化学性质类似水不含固体颗粒或纤维的液体。

Thin, clean non-aggressive and non-explosive liquids without solid particles or fiber.

性能范围 Performance Range

| | |
|------------|-----------------------------|
| 转速Speed | 1450rpm(1480rpm) |
| 流量Capacity | 7.5 - 1470m ³ /h |
| 扬程Head | 9.7 - 88m |
| 功率Power | 1.5 - 250kW |

工作条件 Operating Conditions

工作温度范围Temperature Range: 0 - 105
最大工作压力Max. Operating Pressure: 1.6MPa

泵说明 Pump

综合了IS、IT、XA等型号目前国家推荐使用的节能产品的特点，并在结构材质选用和轴承、轴封、润滑等方面作了改进。该型泵具有结构合理、体积小、重量轻、可靠性高、检修维护方便的特点。

Pump KTB have the features of some power-consumption products recommended by nation such as a type IS, IT, XA, etc. and there is much improvement in material, bearing, seal and lubricate. For its reasonable structure, type KTB pump is reliable in performance, small in size, light in weight and easy in maintenance.

该型泵机件为了达到通用性，72种规格的水泵只有4种规格的轴、轴承、联轴器盖，减少了备品备件，便于检修管理。

Type KTB pump has a wonderful interchanging

ability; totally there are 72 models, but only 4 types size of the shaft. For the same shaft size, relative ball bearing, seal, shaft sleeve, impeller and fastening are interchangeable.

采用开门式结构使泵体和轴承体部分从叶轮背面处分体，检修时无需拆卸泵体和进出管路，只需脱开联轴器，移动电机，即可取出叶轮等部件进行检修(见图1)。

The pump is back-pull-out design, which allows disassembling the cast iron cover and rotary components without removing the pipework (see fig. 1).

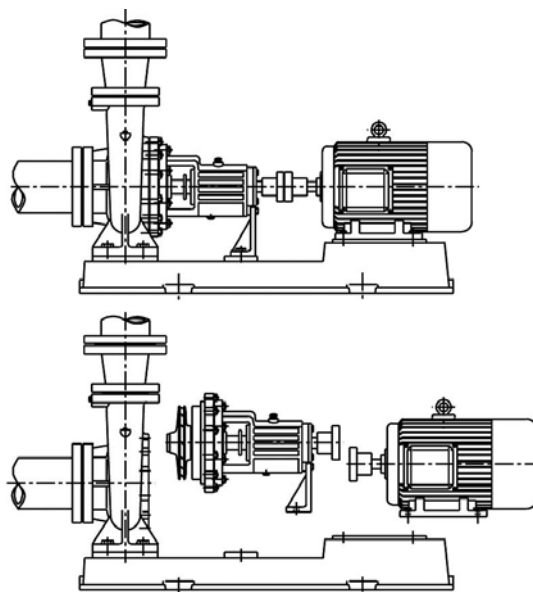


图 1fig.1

采用水力和动力平衡的叶轮，叶轮前后均有密封环，后盖板设有平衡孔，能有效平衡泵的轴向力。叶轮材质采用耐磨合金铸铁或铸铜精密铸造，用户可根据使用情况选用(订货时说明)。

The use of hydraulic and dynamic balanced impeller with double-end seal ring and balance hole can depress axial force effectively. The material of impeller is cast iron or bronze.

采用特殊设计的耐磨机械密封装置，正常使用寿命超过一万小时，保证在较高水位下不漏水，运行稳定可靠。

The use of durable mechanical seal ensures no leakage in high pressure and running well.

本公司独特的悬架结构使机组运行更稳定，采用高强度不锈钢轴以及配套进口优质轴承。轴承润滑结构采用7019#高级轴承脂润滑。

The bearing house is designed specially for type KTB and makes it running firmly. Use good stainless steel shaft and excellent bearing, which is lubricated with 7019# grease.

底板 Bedplate

提供尺寸齐全的铸铁底板，方便现场安装
Cast iron bedplate covering all series is applied.

电机 Motor

配用电动机的噪声等级低于普通Y型电机，在轴承压盖处设注油孔，可随时向轴承加油，维护保养方便。

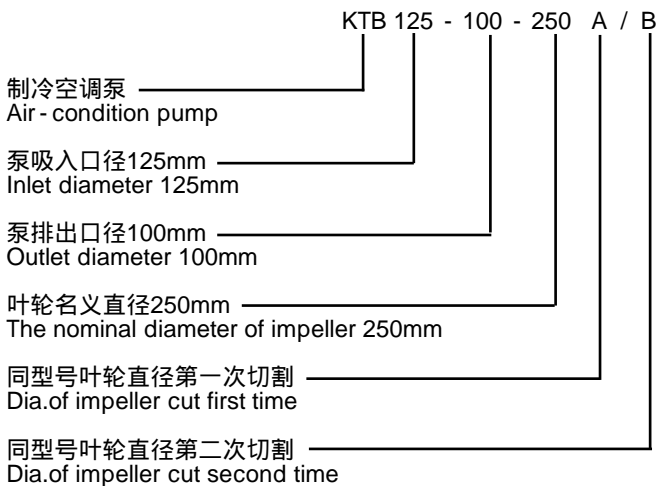
The noise class of motor mounted is lower than that of normal motors. There is a hole applied on bearing cover and it is convenience to pour oil to the bearing at any moment. Direction Of Rotation.

旋转方向 Direction Of Rotation

由电机方向看，水泵为顺时针旋转。

Direction of rotation is clockwise as viewed from the driver towards the pump.

型号意义说明 Pump Key



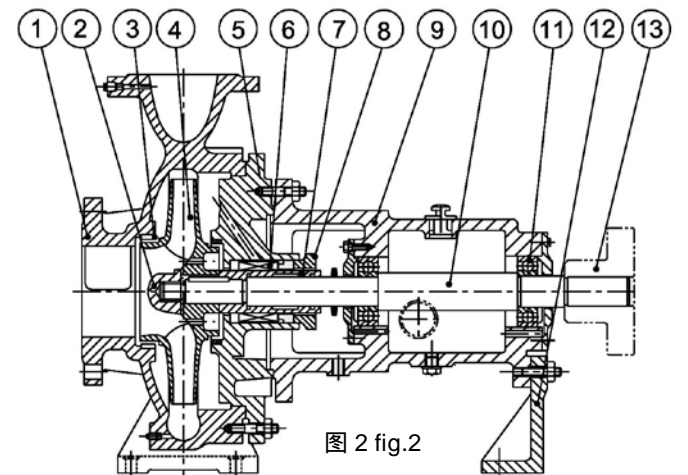
性能表 Performance Date

| 型号 Model | 流量 Capacity Q (m ³ /h) | 扬程 Head H (m) | 转速 Speed n (rpm) | 功率 Power(kW) | | 效率 Efficiency η (%) | 必需汽蚀余量 NPSH(r) (m) | 整机重量 Weight of pump set (kg) |
|--------------|--|------------------------|---------------------------|--------------------|---------------------|------------------------------|--------------------------|------------------------------------|
| | | | | 轴功率 Shaft power | 电机功率 Motor Power | | | |
| KTB65-40-210 | 10 | 14.5 | 1450 | 0.84 | 1.5 | 47 | 1.8 | 120 |
| | 18 | 12.5 | | 1.13 | | 54 | 2.0 | |
| | 21 | 10 | | 1.144 | | 50 | 2.4 | |
| KTB65-40-260 | 10 | 24 | 1450 | 1.76 | 3 | 37 | 1.8 | 180 |
| | 18 | 22 | | 2.28 | | 47 | 2.0 | |
| | 21 | 15 | | 2.33 | | 51 | 2.4 | |
| KTB65-40-315 | 7.5 | 32.5 | 1450 | 2.63 | 4 | 25 | 2.5 | 199 |
| | 12.5 | 32 | | 2.94 | | 37 | 2.5 | |
| | 15 | 31 | | 3.16 | | 41 | 3.0 | |
| KTB65-40-320 | 11 | 38 | 1450 | 3.5 | 5.5 | 32 | 2.1 | 210 |
| | 18 | 35 | | 4.24 | | 40.5 | 2.1 | |
| | 21.5 | 32 | | 4.83 | | 39 | 3.8 | |
| KTB80-50-210 | 18 | 15.4 | 1450 | 1.37 | 2.2 | 55 | 2.2 | 140 |
| | 30 | 13.5 | | 1.7 | | 65 | 2.3 | |
| | 36 | 11.6 | | 1.86 | | 61 | 2.9 | |
| KTB80-50-250 | 15 | 21 | 1450 | 1.75 | 3 | 49 | 2.5 | 198 |
| | 25 | 20 | | 2.27 | | 60 | 2.5 | |
| | 30 | 18.5 | | 2.52 | | 61 | 3.0 | |

材料Material(见图2 see fig.2)

| 序号 No. | 组件 Parts | 材料 Material |
|-----------|--------------------|-------------------------------------|
| 1 | 泵壳 Casing | 铸铁 Cast iron |
| 2 | 叶轮螺母 Impeller nut | 黄铜/铸铁 Bronze/Cast iron |
| 3 | 密封环 Seal ring | 铸铁 Cast iron |
| 4 | 叶轮 Impeller | 铸铁/铸铜 Bronze/Cast iron |
| 5 | 泵盖 Pump cover | 铸铁 Cast iron |
| 6 | 密封 Seal | 机械密封 Mechanical Seal From Import |
| 7 | 轴套 Shaft sleeve | 不锈钢 Stainless steel |
| 8 | 密封压盖 Seal cover | 铸铁/不锈钢 Cast iron/Stainless steel |
| 9 | 悬架部件 Bearing house | 铸铁 Cast iron |
| 10 | 泵轴 Shaft | 不锈钢 Stainless steel |
| 11 | 进口轴承 Bearing | NSK/SKF/NTN |
| 12 | 支架 Pump foot | 铸铁 Cast iron |
| 13 | 联轴器 Coupling | 铸铁 Cast iron |

结构图Constructions



性能表 Performance Date

| 型号 Model | 流量 Capacity Q (m ³ /h) | 扬程 Head H (m) | 转速 Speed n (rpm) | 功率 Power(kW) | | 效率 Efficiency n (%) | 必需汽蚀余量 NPSH(r) (m) | 整机重量 Weight of pump set (kg) | |
|-----------------|--|------------------------|---------------------------|--------------------|---------------------|------------------------------|--------------------------|------------------------------------|-----|
| | | | | 轴功率 Shaft power | 电机功率 Motor Power | | | | |
| KTB80-50-260 | 20 | 25 | 1450 | 2.62 | 5.5 | 52 | 2.3 | 198 | |
| | 32 | 22.5 | | 3.27 | | 60 | | | 2.4 |
| | 38 | 19.8 | | 3.63 | | 56.5 | | | 3.0 |
| KTB80-50-315 | 15 | 32.5 | 1450 | 3.4 | 5.5 | 39 | 2.5 | 264 | |
| | 25 | 32 | | 4.19 | | 52 | | | 2.5 |
| | 30 | 31 | | 4.5 | | 56 | | | 3.0 |
| KTB80-50-320 | 24 | 36 | 1450 | 5 | 11 | 47 | 2.4 | 294 | |
| | 40 | 34 | | 6.38 | | 58 | | | 2.5 |
| | 48 | 32 | | 7.09 | | 59 | | | 3.0 |
| KTB80-50-320A | 23 | 32 | 1450 | 4.45 | 7.5 | 45 | 2.0 | 268 | |
| | 38 | 30 | | 5.54 | | 56 | | | 2.5 |
| | 45 | 28 | | 6.07 | | 56.5 | | | 3.0 |
| KTB100-65-210 | 35 | 15.3 | 1450 | 2.31 | 4 | 63 | 1.9 | 183 | |
| | 55 | 14 | | 2.87 | | 73 | | | 2.0 |
| | 66 | 13 | | 3.2 | | 73.5 | | | 2.3 |
| KTB100-65-250 | 30 | 21.3 | 1450 | 3.16 | 5.5 | 55 | 2.0 | 238 | |
| | 50 | 20 | | 4 | | 68 | | | 2.3 |
| | 60 | 19 | | 4.44 | | 70 | | | 2.5 |
| KTB100-65-260 | 36 | 24.5 | 1450 | 4 | 7.5 | 60 | 2.0 | 238 | |
| | 60 | 22.5 | | 5.25 | | 70 | | | 2.3 |
| | 72 | 20.6 | | 5.77 | | 69 | | | 3.0 |
| KTB100-65-315 | 30 | 34 | 1450 | 5.44 | 11 | 51 | 1.9 | 420 | |
| | 50 | 32 | | 6.92 | | 63 | | | 2.0 |
| | 60 | 30 | | 7.67 | | 64 | | | 2.5 |
| KTB100-65-315A | 28.5 | 31 | 1450 | 4.74 | 7.5 | 51 | 1.9 | 325 | |
| | 48 | 28 | | 6 | | 63 | | | 2.0 |
| | 58 | 27 | | 6.7 | | 64 | | | 2.5 |
| KTB100-65-320 | 40 | 37 | 1450 | 7.46 | 15 | 54 | 1.9 | 420 | |
| | 65 | 34 | | 9.56 | | 63 | | | 2.0 |
| | 78 | 31 | | 10.62 | | 62 | | | 2.5 |
| KTB100-65-320A | 37 | 33.4 | 1450 | 6.73 | 11 | 50 | 2.5 | 325 | |
| | 62 | 30.9 | | 8.54 | | 61 | | | 2.5 |
| | 74.5 | 28 | | 9.47 | | 60 | | | 3.0 |
| KTB125-100-200 | 60 | 14.5 | 1450 | 3.84 | 7.5 | 62 | 2.5 | 250 | |
| | 100 | 12.5 | | 4.48 | | 76 | | | 2.5 |
| | 120 | 11 | | 4.79 | | 75 | | | 3.0 |
| KTB125-100-200A | 56 | 12.8 | 1450 | 3.17 | 5.5 | 62 | 2.5 | 236 | |
| | 93.5 | 11 | | 3.7 | | 76 | | | 2.5 |
| | 112 | 9.7 | | 3.96 | | 75 | | | 3.0 |
| KTB125-100-250 | 60 | 21.5 | 1450 | 5.59 | 11 | 62 | 2.5 | 394 | |
| | 100 | 20 | | 7.17 | | 76 | | | 2.5 |
| | 120 | 18.5 | | 7.84 | | 77 | | | 3.0 |
| KTB125-100-250A | 56 | 18.8 | 1450 | 4.56 | 7.5 | 63 | 2.5 | 355 | |
| | 93.5 | 17.5 | | 5.87 | | 76 | | | 2.5 |
| | 112 | 16.2 | | 6.41 | | 77 | | | 3.0 |
| KTB125-100-250B | 52.2 | 16 | 1450 | 3.7 | 5.5 | 62 | 2.5 | 341 | |
| | 86.5 | 15 | | 4.86 | | 75 | | | 2.5 |
| | 104 | 13.9 | | 5.17 | | 76 | | | 3.0 |
| KTB125-100-315 | 60 | 33.5 | 1450 | 9.4 | 15 | 58 | 2.5 | 495 | |
| | 100 | 32 | | 11.9 | | 73 | | | 2.5 |
| | 120 | 30.5 | | 13.5 | | 74 | | | 3.0 |
| KTB125-100-315A | 57.4 | 30.5 | 1450 | 8.22 | 15 | 58 | 2.5 | 480 | |
| | 95.5 | 28.5 | | 10.33 | | 73 | | | 2.5 |
| | 114 | 27.8 | | 11.7 | | 74 | | | 3.0 |
| KTB125-100-315B | 54.6 | 27.7 | 1450 | 7.23 | 11 | 57 | 2.5 | 410 | |
| | 90.8 | 26.4 | | 9.08 | | 72 | | | 2.5 |
| | 108.9 | 25.8 | | 10.5 | | 73 | | | 3.0 |
| KTB125-100-400 | 60 | 52 | 1480 | 16.1 | 30 | 53 | 2.5 | 627 | |
| | 100 | 50 | | 21 | | 65 | | | 2.5 |
| | 120 | 48.5 | | 23.6 | | 67 | | | 3.0 |
| KTB125-100-400A | 56 | 46 | 1480 | 13.2 | 22 | 53 | 2.5 | 588 | |
| | 93.6 | 44 | | 17.5 | | 64 | | | 2.5 |
| | 112.4 | 43 | | 19.6 | | 67 | | | 3.0 |
| KTB125-100-400B | 52.2 | 40 | 1480 | 11.2 | 18.5 | 51 | 2.5 | 570 | |
| | 88 | 38 | | 14.6 | | 62.8 | | | 2.5 |
| | 105 | 37.2 | | 16.4 | | 65 | | | 3.0 |
| KTB125-100-210 | 90 | 15 | 1480 | 5.25 | 11 | 70 | 2.2 | 295 | |
| | 142 | 13 | | 6.36 | | 79 | | | 2.5 |
| | 170 | 11.5 | | 6.91 | | 77 | | | 3.4 |
| KTB125-100-260 | 95 | 24.5 | 1480 | 9.19 | 15 | 69 | 2.3 | 385 | |
| | 148 | 22 | | 11.37 | | 78 | | | 2.6 |
| | 175 | 20 | | 12.54 | | 76 | | | 3.5 |
| KTB125-100-320 | 80 | 37.5 | 1480 | 12.73 | 22 | 65 | 2.0 | 556 | |
| | 146 | 34 | | 16.7 | | 75 | | | 2.0 |
| | 165 | 29 | | 18.38 | | 72 | | | 2.3 |

性能表 Performance Date

| 型号 Model | 流量 Capacity Q (m³/h) | 扬程 Head H (m) | 转速 Speed n (rpm) | 功率 Power(kW) | | 效率 Efficiency η (%) | 必需汽蚀余量 NPSH(r) (m) | 整机重量 Weight of pump set (kg) | |
|-----------------|-------------------------------|------------------------|---------------------------|--------------------|---------------------|------------------------------|--------------------------|------------------------------------|-----|
| | | | | 轴功率 Shaft power | 电机功率 Motor Power | | | | |
| KTB125-100-320A | 78 | 32 | 1480 | 10.8 | 18.5 | 63 | 2.0 | 541 | |
| | 142 | 28 | | 14.83 | | 73 | | | 2.0 |
| | 165 | 25 | | 16.28 | | 69 | | | 2.3 |
| KTB125-100-410 | 90 | 57 | 1480 | 24.08 | 45 | 58 | 2.3 | 707 | |
| | 150 | 52 | | 31.24 | | 68 | | | 2.5 |
| | 176 | 48.5 | | 34.96 | | 67 | | | 3.2 |
| KTB125-100-410A | 87 | 52 | 1480 | 22 | 37 | 56 | 2.3 | 667 | |
| | 144 | 48 | | 28.5 | | 66 | | | 2.5 |
| | 172 | 44 | | 31.7 | | 65 | | | 3.2 |
| KTB125-100-410B | 83 | 45 | 1480 | 18.83 | 30 | 54 | 2.3 | 612 | |
| | 140 | 40 | | 23.8 | | 64 | | | 2.5 |
| | 165 | 38 | | 27.1 | | 63 | | | 3.2 |
| KTB150-125-250 | 120 | 22.5 | 1480 | 10.4 | 18.5 | 71 | 3.0 | 427 | |
| | 200 | 20 | | 13.5 | | 81 | | | 3.0 |
| | 240 | 17.5 | | 14.7 | | 78 | | | 3.5 |
| KTB150-125-250A | 112 | 19.5 | 1480 | 8.7 | 15 | 68 | 3.0 | 393 | |
| | 187 | 17.5 | | 11.3 | | 77.9 | | | 3.0 |
| | 224 | 15.2 | | 12.3 | | 75.3 | | | 3.5 |
| KTB150-125-260 | 144 | 23.5 | 1480 | 13.17 | 22 | 70 | 2.3 | 442 | |
| | 240 | 21 | | 16.95 | | 81 | | | 2.6 |
| | 288 | 18.8 | | 18.9 | | 78 | | | 3.2 |
| KTB150-125-260A | 134 | 21 | 1480 | 11.43 | 18.5 | 67 | 2.3 | 420 | |
| | 230 | 18.5 | | 14.66 | | 79 | | | 2.6 |
| | 280 | 16.5 | | 16.55 | | 76 | | | 3.2 |
| KTB150-125-315 | 120 | 34 | 1480 | 15.86 | 30 | 70 | 2.5 | 603 | |
| | 200 | 32 | | 22.08 | | 79 | | | 2.5 |
| | 240 | 29 | | 23.71 | | 80 | | | 3.0 |
| KTB150-125-315A | 112 | 30 | 1480 | 13.1 | 22 | 70 | 2.5 | 565 | |
| | 187 | 28 | | 18.1 | | 79 | | | 2.5 |
| | 224.6 | 25 | | 19.1 | | 80 | | | 3.0 |
| KTB150-125-315B | 104 | 25.5 | 1480 | 10.5 | 18.5 | 69 | 2.5 | 546 | |
| | 173 | 24 | | 14.5 | | 78 | | | 2.5 |
| | 208 | 21.8 | | 15.6 | | 79 | | | 3.0 |
| KTB150-125-320 | 144 | 34 | 1480 | 19.05 | 30 | 70 | 2.5 | 612 | |
| | 240 | 32 | | 26.47 | | 79 | | | 2.5 |
| | 288 | 28 | | 27.45 | | 80 | | | 3.0 |
| KTB150-125-320A | 134 | 29 | 1480 | 15.79 | 22 | 67 | 2.5 | 585 | |
| | 230 | 26 | | 20.61 | | 79 | | | 2.5 |
| | 270 | 22 | | 21.01 | | 77 | | | 3.0 |
| KTB150-125-400 | 120 | 53 | 1480 | 27.9 | 45 | 62 | 2.0 | 725 | |
| | 200 | 50 | | 36.3 | | 75 | | | 2.8 |
| | 240 | 46 | | 40.6 | | 74 | | | 3.5 |
| KTB150-125-400A | 112 | 47 | 1480 | 23.2 | 37 | 62 | 2.0 | 688 | |
| | 187 | 44 | | 30 | | 75 | | | 2.8 |
| | 225 | 40 | | 33.1 | | 74 | | | 3.5 |
| KTB150-125-400B | 104.6 | 40 | 1480 | 18.7 | 30 | 61 | 2.0 | 649 | |
| | 173 | 38 | | 24.4 | | 74 | | | 2.8 |
| | 209.5 | 35 | | 27.4 | | 73 | | | 3.5 |
| KTB150-125-410 | 144 | 55 | 1480 | 32.68 | 55 | 66 | 2.2 | 896 | |
| | 245 | 50 | | 43.9 | | 76 | | | 2.4 |
| | 300 | 44 | | 49.9 | | 72 | | | 3.2 |
| KTB150-125-410A | 144 | 52 | 1480 | 31.37 | 45 | 65 | 2.2 | 815 | |
| | 245 | 45 | | 40 | | 75 | | | 2.4 |
| | 300 | 38 | | 43.7 | | 71 | | | 3.2 |
| KTB200-150-260 | 189 | 22.6 | 1480 | 16.6 | 30 | 70 | 2.7 | 583 | |
| | 315 | 20 | | 20.5 | | 83.5 | | | 3.0 |
| | 378 | 17.5 | | 22.2 | | 81 | | | 4.0 |
| KTB200-150-260A | 200 | 18.8 | 1480 | 14.8 | 22 | 69 | 2.7 | 570 | |
| | 280 | 16.2 | | 15.1 | | 82 | | | 3.0 |
| | 340 | 14 | | 16.2 | | 80 | | | 4.0 |
| KTB200-150-250 | 240 | 20.6 | 1480 | 21.1 | 37 | 70 | 3.6 | 661 | |
| | 400 | 20 | | 26.7 | | 83 | | | 4.6 |
| | 460 | 17.2 | | 27.3 | | 79 | | | 4.9 |
| KTB200-150-250A | 225 | 19.4 | 1480 | 16.7 | 30 | 71 | 3.0 | 628 | |
| | 374 | 17.5 | | 21.8 | | 82 | | | 4.0 |
| | 431 | 15.6 | | 23.5 | | 78 | | | 4.5 |
| KTB200-150-320 | 189 | 36 | 1480 | 25.56 | 45 | 72.5 | 2.5 | 748 | |
| | 315 | 32 | | 33.46 | | 82 | | | 3.2 |
| | 378 | 29.4 | | 37.6 | | 80.5 | | | 4.2 |
| KTB200-150-320A | 200 | 33 | 1480 | 25.3 | 37 | 71 | 2.5 | 708 | |
| | 280 | 28 | | 26.35 | | 81 | | | 3.2 |
| | 340 | 25 | | 29.3 | | 79 | | | 4.2 |
| KTB200-150-315 | 240 | 37 | 1480 | 34.6 | 55 | 70 | 3.0 | 917 | |
| | 400 | 32 | | 42.5 | | 82 | | | 3.5 |
| | 460 | 28.5 | | 44.6 | | 80 | | | 4.0 |

性能表 Performance Date

| 型号 Model | 流量 Capacity Q (m ³ /h) | 扬程 Head H (m) | 转速 Speed n (rpm) | 功率 Power(kW) | | 效率 Efficiency n (%) | 必需汽蚀余量 NPSH(r) (m) | 整机重量 Weight of pump set (kg) |
|---------------------|--|------------------------|---------------------------|--------------------|---------------------|------------------------------|--------------------------|------------------------------------|
| | | | | 轴功率 Shaft power | 电机功率 Motor Power | | | |
| KTB200 - 150 - 315A | 226 | 33 | 1480 | 29 | 45 | 70 | 3.0 | 823 |
| | 374 | 28 | | 35 | | 82 | | |
| | 432 | 25 | | 41.6 | | 80 | | |
| KTB200 - 150 - 315B | 210 | 27.5 | 1480 | 23.2 | 37 | 67.4 | 3.0 | 788 |
| | 350 | 24 | | 28.6 | | 79 | | |
| | 403 | 21.2 | | 30 | | 77.5 | | |
| KTB200 - 150 - 400 | 240 | 55 | 1480 | 48.6 | 90 | 74 | 3.0 | 1060 |
| | 400 | 50 | | 67.2 | | 81 | | |
| | 460 | 45 | | 74.2 | | 76 | | |
| KTB200 - 150 - 400A | 228 | 49 | 1480 | 41.8 | 75 | 72.7 | 3.0 | 1045 |
| | 380 | 44.5 | | 57.9 | | 79.5 | | |
| | 437 | 40 | | 63.8 | | 75.5 | | |
| KTB200 - 150 - 400B | 210 | 42 | 1480 | 32.8 | 55 | 73 | 3.0 | 941 |
| | 340 | 38 | | 45.1 | | 80 | | |
| | 401 | 34 | | 48.9 | | 76 | | |
| KTB200 - 150 - 410 | 195 | 55 | 1480 | 37.44 | 75 | 78 | 2.5 | 1120 |
| | 315 | 52 | | 52.3 | | 80 | | |
| | 378 | 46 | | 59.2 | | 80 | | |
| KTB200 - 150 - 410A | 190 | 50 | 1480 | 33.6 | 55 | 77 | 2.5 | 985 |
| | 300 | 46 | | 48.4 | | 81 | | |
| | 360 | 41 | | 50.88 | | 79 | | |
| KTB200 - 150 - 500 | 250 | 88 | 1480 | 83.2 | 132 | 72 | 3.0 | 1285 |
| | 400 | 80 | | 111.7 | | 78 | | |
| | 468 | 72 | | 125.7 | | 73 | | |
| KTB200 - 150 - 500A | 228 | 73 | 1480 | 63.8 | 110 | 71 | 3.0 | 1230 |
| | 376 | 68 | | 94.1 | | 74 | | |
| | 430 | 58 | | 95.7 | | 71 | | |
| KTB200 - 150 - 500B | 210 | 65 | 1480 | 51.5 | 90 | 70 | 3.0 | 1120 |
| | 340 | 60 | | 76.1 | | 73 | | |
| | 401 | 50 | | 78.1 | | 70 | | |
| KTB250 - 200 - 300 | 486 | 30 | 1480 | 50.9 | 55 | 78 | 5.5 | 1017 |
| | 630 | 26 | | 51.8 | | 85 | | |
| | 720 | 22 | | 53.25 | | 81 | | |
| KTB250 - 200 - 300A | 432 | 26 | 1480 | 38.2 | 45 | 80 | 5.0 | 957 |
| | 560 | 21 | | 39.1 | | 82 | | |
| | 650 | 17 | | 41.8 | | 72 | | |
| KTB250 - 200 - 400 | 486 | 50 | 1480 | 82.7 | 110 | 80 | 5.0 | 1238 |
| | 630 | 45 | | 91.9 | | 85 | | |
| | 720 | 38 | | 95.5 | | 78 | | |
| KTB250 - 200 - 400A | 432 | 43 | 1480 | 63.2 | 90 | 80 | 5.0 | 1138 |
| | 558 | 38 | | 68.7 | | 84 | | |
| | 710 | 32 | | 81.7 | | 80 | | |
| KTB250 - 200 - 400B | 428 | 37 | 1480 | 54.2 | 75 | 78 | 5.0 | 1118 |
| | 550 | 32 | | 58.4 | | 82 | | |
| | 700 | 26 | | 63.5 | | 78 | | |
| KTB250 - 200 - 500 | 486 | 81 | 1480 | 142.9 | 200 | 75 | 5.0 | 1712 |
| | 630 | 76 | | 157.1 | | 83 | | |
| | 720 | 65 | | 163.4 | | 78 | | |
| KTB250 - 200 - 500A | 450 | 70 | 1480 | 116 | 160 | 74 | 5.0 | 1680 |
| | 600 | 65 | | 129.5 | | 82 | | |
| | 670 | 56 | | 132.7 | | 77 | | |
| KTB250 - 200 - 500B | 414 | 59 | 1480 | 92.4 | 132 | 72 | 5.0 | 1605 |
| | 550 | 55 | | 103 | | 80 | | |
| | 620 | 47.5 | | 106.9 | | 75 | | |
| KTB250 - 200 - 500C | 380 | 54 | 1480 | 79.8 | 110 | 70 | 5.0 | 1538 |
| | 520 | 48 | | 87.2 | | 78 | | |
| | 290 | 41 | | 90.2 | | 73 | | |
| KTB300 - 250 - 315 | 600 | 36 | 1480 | 72.6 | 90 | 81 | 4.8 | 1320 |
| | 800 | 32 | | 82 | | 85 | | |
| | 915 | 28 | | 85.1 | | 82 | | |
| KTB300 - 250 - 315A | 540 | 32 | 1480 | 58.8 | 75 | 80 | 4.8 | 1235 |
| | 765 | 27 | | 66.9 | | 84 | | |
| | 880 | 23 | | 68.1 | | 81 | | |
| KTB300 - 250 - 400 | 560 | 54 | 1480 | 102.9 | 160 | 80 | 4.8 | 1650 |
| | 800 | 50 | | 132.8 | | 82 | | |
| | 915 | 46 | | 145.1 | | 79 | | |
| KTB300 - 250 - 400A | 546 | 47 | 1480 | 88.46 | 132 | 79 | 4.8 | 1450 |
| | 765 | 44 | | 113.2 | | 81 | | |
| | 850 | 39 | | 115.74 | | 78 | | |
| KTB300 - 250 - 400B | 530 | 43 | 1480 | 81.66 | 110 | 76 | 4.8 | 1410 |
| | 750 | 40 | | 103.4 | | 79 | | |
| | 840 | 35 | | | | 75 | | |
| KTB300 - 250 - 500 | 600 | 78 | 1480 | 174.6 | 250 | 73 | 2.5 | 1880 |
| | 900 | 70 | | 204.2 | | 84 | | |
| | 1170 | 62 | | 239.4 | | 82.5 | | |

性能表 Performance Date

| 型号 Model | 流量 Capacity Q (m ³ /h) | 扬程 Head H (m) | 转速 Speed n (rpm) | 功率 Power(kW) | | 效率 Efficiency η (%) | 必需汽蚀余量 NPSH(r) (m) | 整机重量 Weight of pump set (kg) |
|---------------------|--|------------------------|---------------------------|--------------------|---------------------|------------------------------|--------------------------|------------------------------------|
| | | | | 轴功率 Shaft power | 电机功率 Motor Power | | | |
| KTB300 - 250 - 500A | 600 | 73 | 1480 | 165.6 | 220 | 72 | 3.2 | 1860 |
| | 900 | 65 | | 191.9 | | 83 | | |
| | 1150 | 52 | | 201.1 | | 81 | | |
| KTB300 - 250 - 500B | 550 | 64 | 1480 | 137 | 200 | 70 | 3.2 | 1810 |
| | 850 | 56 | | 160.1 | | 81 | | |
| | 1100 | 45 | | 170.6 | | 79 | | |
| KTB350 - 300 - 315 | 819 | 32 | 1480 | 87.1 | 110 | 82 | 4.5 | 1520 |
| | 1200 | 26 | | 98.8 | | 86 | | |
| | 1440 | 21 | | 101.6 | | 81 | | |
| KTB350 - 300 - 315A | 864 | 26 | 1480 | 76.5 | 90 | 80 | 4.5 | 1210 |
| | 1114 | 22 | | 80.4 | | 83 | | |
| | 1336 | 17 | | 84.7 | | 73 | | |
| KTB350 - 300 - 400 | 819 | 50 | 1480 | 152.8 | 220 | 72 | 3.6 | 1918 |
| | 1260 | 44 | | 177.6 | | 85 | 4.6 | |
| | 1470 | 37 | | 183.6 | | 81 | 4.9 | |
| KTB350 - 300 - 400A | 826 | 41 | 1480 | 121 | 160 | 80 | 3.6 | 1860 |
| | 1180 | 36 | | 131 | | 84 | 4.6 | |
| | 1332 | 30 | | 136 | | 80 | 4.9 | |
| KTB350 - 300 - 400B | 770 | 35 | 1480 | 96.6 | 132 | 76 | 3.6 | 1780 |
| | 1100 | 30 | | 112.3 | | 80 | 4.6 | |
| | 1300 | 27 | | 127.5 | | 75 | 4.9 | |

安装尺寸图 Installation Diagram

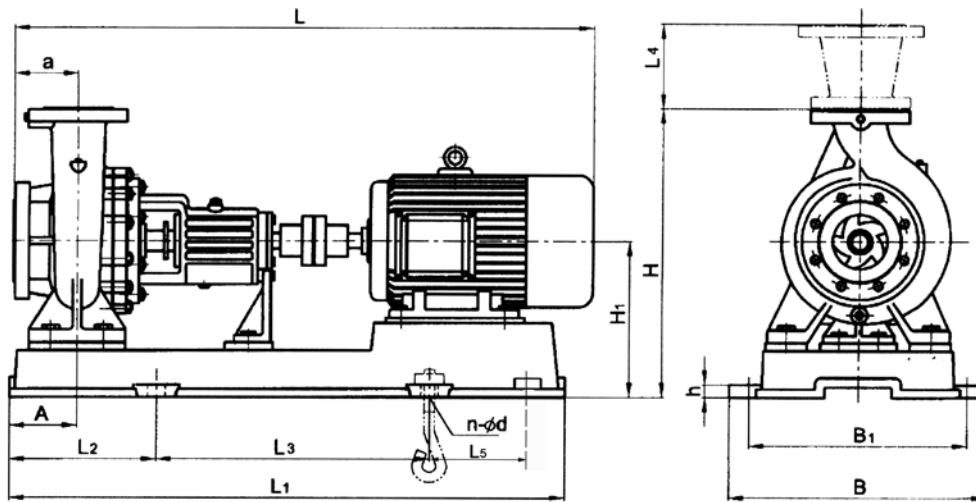


图 3 fig.3

外形及安装尺寸表 Dimensions Of Installation(见图 3 see fig.3)

| 型号 Model | A | a | L ₁ | L ₂ | L ₃ | L ₄ | L ₅ | L | B | B ₁ | h | H ₁ | H | n - d | 轴承型号 Model of bearing |
|-------------------|-----|-----|----------------|----------------|----------------|----------------|----------------|------|-----|----------------|----|----------------|-----|----------|--------------------------|
| KTB65 - 40 - 210 | 80 | 100 | 790 | 170 | 490 | 150 | | 812 | 390 | 350 | 20 | 215 | 395 | 4 - 18.5 | 6305 |
| KTB65 - 40 - 260 | 95 | 100 | 916 | 190 | 570 | 150 | | 856 | 470 | 420 | 25 | 255 | 480 | 4 - 24 | 6307 |
| KTB65 - 40 - 315 | 95 | 125 | 916 | 190 | 570 | 150 | | 1042 | 470 | 420 | 25 | 275 | 525 | 4 - 24 | 6307 |
| KTB65 - 40 - 320 | 105 | 125 | 1050 | 210 | 630 | 150 | | 1090 | 490 | 440 | 25 | 275 | 525 | 4 - 24 | 6307 |
| KTB80 - 50 - 210 | 80 | 100 | 790 | 170 | 490 | 175 | | 857 | 390 | 350 | 20 | 215 | 415 | 4 - 18.5 | 6307 |
| KTB80 - 50 - 250 | 95 | 125 | 916 | 190 | 570 | 175 | | 1317 | 470 | 420 | 25 | 255 | 480 | 4 - 24 | 6307 |
| KTB80 - 50 - 260 | 95 | 100 | 1050 | 210 | 630 | 175 | | 952 | 490 | 440 | 25 | 255 | 480 | 4 - 24 | 6307 |
| KTB80 - 50 - 315 | 95 | 125 | 916 | 190 | 570 | 175 | | 1417 | 470 | 420 | 25 | 300 | 580 | 4 - 24 | 6309 |
| KTB80 - 50 - 320 | 105 | 125 | 1050 | 210 | 630 | 175 | | 1218 | 490 | 440 | 30 | 300 | 580 | 4 - 24 | 6309 |
| KTB80 - 50 - 320A | 95 | 125 | 916 | 190 | 570 | 175 | | 1133 | 470 | 420 | 25 | 300 | 580 | 4 - 24 | 6309 |
| KTB100 - 65 - 210 | 105 | 100 | 1050 | 210 | 630 | 175 | | 880 | 490 | 440 | 25 | 255 | 480 | 4 - 24 | 6309 |
| KTB100 - 65 - 250 | 105 | 125 | 1050 | 210 | 630 | 175 | | 1017 | 490 | 440 | 25 | 275 | 525 | 4 - 24 | 6307 |
| KTB100 - 65 - 260 | 105 | 130 | 1050 | 210 | 630 | 175 | | 1105 | 490 | 440 | 25 | 275 | 525 | 4 - 24 | 6307 |
| KTB100 - 65 - 315 | 110 | 125 | 1250 | 250 | 830 | 175 | | 1277 | 610 | 550 | 30 | 315 | 595 | 4 - 28 | 6309 |

外形及安装尺寸表 Dimensions Of Installation(见图 3 see fig.3)

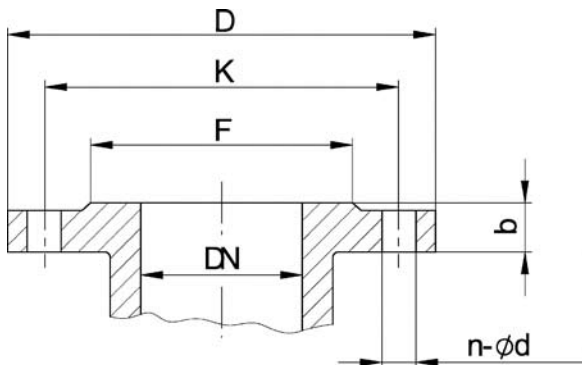
| 型号 Model | A | a | L ₁ | L ₂ | L ₃ | L ₄ | L ₅ | L | B | B ₁ | h | H ₁ | H | n- d | 轴承型号 Model of bearing |
|-----------------|-----|-----|----------------|----------------|----------------|----------------|----------------|------|-----|----------------|----|----------------|------|------|--------------------------|
| KTB100-65-315A | 110 | 125 | 1250 | 250 | 830 | 175 | | 1180 | 610 | 550 | 30 | 315 | 595 | 4-28 | 6309 |
| KTB100-65-320 | 110 | 130 | 1250 | 250 | 830 | 175 | | 1260 | 610 | 550 | 30 | 315 | 595 | 4-28 | 6309 |
| KTB100-65-320A | 110 | 130 | 1250 | 250 | 830 | 175 | | 1260 | 610 | 550 | 30 | 315 | 595 | 4-28 | 6309 |
| KTB125-100-200 | 105 | 125 | 1050 | 210 | 630 | 150 | | 1125 | 490 | 440 | 25 | 275 | 555 | 4-24 | 6309 |
| KTB125-100-200A | 105 | 125 | 1050 | 210 | 630 | 150 | | 1125 | 490 | 440 | 25 | 275 | 555 | 4-24 | 6309 |
| KTB125-100-250 | 110 | 140 | 1250 | 250 | 830 | 150 | | 1277 | 610 | 550 | 30 | 315 | 595 | 4-28 | 6309 |
| KTB125-100-250A | 110 | 140 | 1250 | 250 | 830 | 150 | | 1180 | 610 | 550 | 30 | 315 | 595 | 4-28 | 6309 |
| KTB125-100-250B | 110 | 140 | 1250 | 250 | 830 | 150 | | 1180 | 610 | 550 | 30 | 315 | 595 | 4-28 | 6309 |
| KTB125-100-315 | 110 | 140 | 1250 | 250 | 830 | 150 | | 1290 | 610 | 550 | 30 | 340 | 655 | 4-28 | 6309 |
| KTB125-100-315A | 110 | 140 | 1250 | 250 | 830 | 150 | | 1290 | 610 | 550 | 30 | 340 | 655 | 4-28 | 6309 |
| KTB125-100-315B | 110 | 140 | 1250 | 250 | 830 | 150 | | 1290 | 610 | 550 | 30 | 340 | 655 | 4-28 | 6309 |
| KTB125-100-400 | 130 | 140 | 1430 | 290 | 870 | 150 | | 1467 | 660 | 600 | 40 | 430 | 785 | 4-28 | 6309 |
| KTB125-100-400A | 130 | 140 | 1310 | 290 | 870 | 150 | | 1367 | 660 | 600 | 30 | 370 | 725 | 4-28 | 6309 |
| KTB125-100-400B | 130 | 140 | 1310 | 290 | 870 | 150 | | 1367 | 660 | 600 | 30 | 370 | 725 | 4-28 | 6309 |
| KTB125-100-210 | 95 | 125 | 1170 | 225 | 740 | 150 | | 1215 | 540 | 490 | 30 | 290 | 570 | 4-24 | 6307 |
| KTB125-100-260 | 110 | 150 | 1250 | 250 | 830 | 150 | | 1280 | 610 | 550 | 30 | 315 | 595 | 4-28 | 6309 |
| KTB125-100-320 | 110 | 140 | 1250 | 250 | 830 | 150 | | 1342 | 610 | 550 | 30 | 340 | 655 | 4-28 | 6309 |
| KTB125-100-320A | 110 | 140 | 1250 | 250 | 830 | 150 | | 1342 | 610 | 550 | 30 | 340 | 655 | 4-28 | 6309 |
| KTB125-100-410 | 130 | 140 | 1430 | 290 | 870 | 150 | | 1546 | 660 | 600 | 40 | 465 | 825 | 4-28 | 6309 |
| KTB125-100-410A | 130 | 140 | 1430 | 290 | 870 | 150 | | 1521 | 660 | 600 | 40 | 465 | 825 | 4-28 | 6309 |
| KTB125-100-410B | 130 | 140 | 1430 | 290 | 870 | 150 | | 1521 | 660 | 600 | 40 | 465 | 825 | 4-28 | 6309 |
| KTB150-125-250 | 110 | 140 | 1250 | 250 | 830 | 200 | | 1367 | 610 | 550 | 30 | 340 | 695 | 4-28 | 6309 |
| KTB150-125-250A | 110 | 140 | 1250 | 250 | 830 | 200 | | 1292 | 610 | 550 | 30 | 340 | 695 | 4-28 | 6309 |
| KTB150-125-260 | 110 | 150 | 1250 | 250 | 830 | 200 | | 1367 | 610 | 550 | 30 | 340 | 695 | 4-28 | 6309 |
| KTB150-125-260A | 110 | 150 | 1250 | 250 | 830 | 200 | | 1367 | 610 | 550 | 30 | 340 | 695 | 4-28 | 6309 |
| KTB150-125-315 | 130 | 140 | 1430 | 290 | 870 | 200 | | 1467 | 660 | 600 | 40 | 430 | 785 | 4-28 | 6309 |
| KTB150-125-315A | 130 | 140 | 1310 | 290 | 870 | 200 | | 1367 | 660 | 600 | 30 | 370 | 725 | 4-28 | 6309 |
| KTB150-125-315B | 130 | 140 | 1310 | 290 | 870 | 200 | | 1367 | 660 | 600 | 30 | 370 | 725 | 4-28 | 6309 |
| KTB150-125-320 | 130 | 140 | 1430 | 290 | 870 | 200 | | 1426 | 660 | 600 | 40 | 430 | 785 | 4-28 | 6309 |
| KTB150-125-320A | 130 | 140 | 1310 | 290 | 870 | 200 | | 1426 | 660 | 600 | 30 | 370 | 725 | 4-28 | 6309 |
| KTB150-125-400 | 130 | 140 | 1430 | 290 | 870 | 200 | | 1527 | 660 | 600 | 40 | 465 | 865 | 4-28 | 6309 |
| KTB150-125-400A | 130 | 140 | 1430 | 290 | 870 | 200 | | 1527 | 660 | 600 | 40 | 465 | 865 | 4-28 | 6309 |
| KTB150-125-400B | 130 | 140 | 1430 | 290 | 870 | 200 | | 1467 | 660 | 600 | 40 | 465 | 865 | 4-28 | 6309 |
| KTB150-125-410 | 130 | 140 | 1400 | 290 | 870 | 200 | | 1607 | 660 | 600 | 40 | 465 | 865 | 4-28 | 6309 |
| KTB150-125-410A | 130 | 140 | 1430 | 290 | 870 | 200 | | 1522 | 660 | 600 | 40 | 465 | 865 | 4-28 | 6309 |
| KTB200-150-260 | 130 | 160 | 1430 | 290 | 870 | 250 | | 1487 | 660 | 600 | 40 | 430 | 805 | 4-28 | 6309 |
| KTB200-150-260A | 130 | 160 | 1310 | 290 | 870 | 250 | | 1367 | 660 | 600 | 30 | 370 | 745 | 4-28 | 6309 |
| KTB200-150-250 | 130 | 160 | 1400 | 290 | 870 | 250 | | 1647 | 660 | 600 | 40 | 430 | 805 | 4-28 | 6309 |
| KTB200-150-250A | 130 | 160 | 1430 | 290 | 870 | 250 | | 1487 | 660 | 600 | 40 | 430 | 805 | 4-28 | 6309 |
| KTB200-150-320 | 130 | 160 | 1510 | 320 | 1070 | 250 | | 1692 | 730 | 670 | 40 | 465 | 865 | 4-28 | 6311 |
| KTB200-150-320A | 130 | 160 | 1510 | 320 | 1070 | 250 | | 1692 | 730 | 670 | 40 | 465 | 865 | 4-28 | 6311 |
| KTB200-150-315 | 130 | 160 | 1700 | 320 | 1070 | 250 | | 1787 | 730 | 670 | 40 | 465 | 865 | 4-28 | 6311 |
| KTB200-150-315A | 130 | 160 | 1510 | 320 | 1070 | 250 | | 1692 | 730 | 670 | 40 | 465 | 865 | 4-28 | 6311 |
| KTB200-150-315B | 130 | 160 | 1510 | 320 | 1070 | 250 | | 1692 | 730 | 670 | 40 | 465 | 865 | 4-28 | 6311 |
| KTB200-150-400 | 130 | 160 | 1700 | 320 | 1070 | 250 | | 1907 | 730 | 670 | 40 | 465 | 915 | 4-28 | 6311 |
| KTB200-150-400A | 130 | 160 | 1700 | 320 | 1070 | 250 | | 1857 | 730 | 670 | 40 | 465 | 915 | 4-28 | 6311 |
| KTB200-150-400B | 130 | 160 | 1700 | 320 | 1070 | 250 | | 1857 | 730 | 670 | 40 | 465 | 915 | 4-28 | 6311 |
| KTB200-150-410 | 130 | 160 | 1700 | 320 | 1070 | 250 | | 1857 | 730 | 670 | 40 | 465 | 915 | 4-28 | 6311 |
| KTB200-150-410A | 130 | 160 | 1700 | 320 | 1070 | 250 | | 1857 | 730 | 670 | 40 | 465 | 915 | 4-28 | 6314 |
| KTB200-150-500 | 160 | 160 | 1900 | 320 | 1260 | 250 | | 2246 | 810 | 750 | 40 | 520 | 1010 | 4-28 | 6314 |
| KTB200-150-500A | 160 | 160 | 1900 | 320 | 1260 | 250 | | 2150 | 810 | 750 | 40 | 520 | 1010 | 4-28 | 6314 |
| KTB200-150-500B | 160 | 160 | 1800 | 320 | 1070 | 250 | | 1905 | 730 | 670 | 40 | 520 | 1010 | 4-28 | 6314 |
| KTB250-200-300 | 130 | 225 | 1700 | 320 | 1070 | 300 | | 1810 | 730 | 670 | 40 | 465 | 900 | 4-28 | 6311 |
| KTB250-200-300A | 130 | 225 | 1510 | 320 | 1070 | 300 | | 1710 | 730 | 670 | 40 | 465 | 900 | 4-28 | 6311 |
| KTB250-200-400 | 146 | 225 | 1740 | 320 | 1150 | 300 | | 2119 | 820 | 760 | 40 | 465 | 925 | 4-28 | 6311 |
| KTB250-200-400A | 130 | 225 | 1700 | 320 | 1070 | 300 | | 1970 | 730 | 670 | 40 | 465 | 925 | 4-28 | 6311 |
| KTB250-200-400B | 130 | 225 | 1700 | 320 | 1070 | 300 | | 1920 | 730 | 670 | 40 | 465 | 925 | 4-28 | 6311 |
| KTB250-200-500 | 160 | 225 | 2160 | 205 | 875 | 300 | 875 | 2353 | 820 | 760 | 40 | 525 | 1075 | 6-28 | 6314 |
| KTB250-200-500A | 160 | 225 | 2160 | 205 | 875 | 300 | 875 | 2353 | 820 | 760 | 40 | 525 | 1075 | 6-28 | 6314 |
| KTB250-200-500B | 160 | 225 | 2160 | 205 | 875 | 300 | 875 | 2353 | 820 | 760 | 40 | 525 | 1075 | 6-28 | 6314 |
| KTB250-200-500C | 160 | 225 | 2160 | 205 | 875 | 300 | 875 | 2343 | 820 | 760 | 40 | 525 | 1075 | 6-28 | 6314 |
| KTB300-250-315 | 160 | 250 | 1740 | 350 | 1100 | 300 | | 1982 | 730 | 670 | 50 | 505 | 1005 | 4-28 | 6311 |
| KTB300-250-315A | 160 | 250 | 1740 | 350 | 1100 | 300 | | 1932 | 730 | 670 | 50 | 505 | 1005 | 4-28 | 6311 |
| KTB300-250-400 | 160 | 250 | 2000 | 205 | 795 | 300 | 795 | 2387 | 820 | 760 | 50 | 550 | 1055 | 6-28 | 6314 |

外形及安装尺寸表 Dimensions Of Installation(见图 3 see fig.3)

| 型号 Model | A | a | L ₁ | L ₂ | L ₃ | L ₄ | L ₅ | L | B | B ₁ | h | H ₁ | H | n- d | 轴承型号 Model of bearing |
|-----------------|-----|-----|----------------|----------------|----------------|----------------|----------------|------|------|----------------|----|----------------|------|------|--------------------------|
| KTB300-250-400A | 160 | 250 | 2000 | 205 | 795 | 300 | 795 | 2430 | 820 | 760 | 50 | 550 | 1055 | 6-28 | 6314 |
| KTB300-250-400B | 160 | 250 | 2000 | 205 | 795 | 300 | 795 | 2430 | 820 | 760 | 50 | 550 | 1055 | 6-28 | 6314 |
| KTB300-250-500 | 150 | 250 | 2100 | 100 | 945 | 300 | 945 | 2588 | 1000 | 940 | 25 | 650 | 1300 | 6-30 | 6314 |
| KTB300-250-500A | 150 | 250 | 2100 | 100 | 945 | 300 | 945 | 2588 | 1000 | 940 | 25 | 650 | 1300 | 6-30 | 6314 |
| KTB300-250-500B | 150 | 250 | 2100 | 100 | 945 | 300 | 945 | 2388 | 1000 | 940 | 25 | 650 | 1300 | 6-30 | 6314 |
| KTB350-300-315 | 200 | 300 | 1800 | 380 | 1040 | 300 | | 2360 | 880 | 820 | 40 | 505 | 1085 | 4-28 | 6311 |
| KTB350-300-315A | 200 | 300 | 1800 | 380 | 1040 | 300 | | 2360 | 880 | 820 | 40 | 505 | 1085 | 4-28 | 6311 |
| KTB350-300-400 | 200 | 300 | 2160 | 205 | 875 | 300 | 875 | 2639 | 880 | 820 | 40 | 605 | 1205 | 6-28 | 6314 |
| KTB350-300-400A | 200 | 300 | 2160 | 205 | 875 | 300 | 875 | 2439 | 880 | 820 | 40 | 605 | 1205 | 6-28 | 6314 |
| KTB350-300-400B | 200 | 300 | 2160 | 205 | 875 | 300 | 875 | 2439 | 880 | 820 | 40 | 605 | 1205 | 6-28 | 6314 |

进出口法兰尺寸
Dimensions Of Flange(图 4 see fig.4)

| DN | D | K | F | b | n- d |
|-----|-----|-----|-----|----|--------|
| 40 | 150 | 110 | 88 | 18 | 4-17.5 |
| 50 | 165 | 125 | 102 | 20 | 4-17.5 |
| 65 | 185 | 145 | 122 | 20 | 4-17.5 |
| 80 | 200 | 160 | 132 | 22 | 8-17.5 |
| 100 | 220 | 180 | 155 | 24 | 8-17.5 |
| 125 | 250 | 210 | 184 | 26 | 8-17.5 |
| 150 | 285 | 240 | 212 | 26 | 8-22 |
| 200 | 340 | 295 | 268 | 30 | 12-22 |
| 250 | 405 | 355 | 320 | 32 | 12-26 |
| 300 | 460 | 410 | 370 | 32 | 12-26 |



本厂提供下列尺寸的锥管
We supply conic as follow: (图5 fig.5)

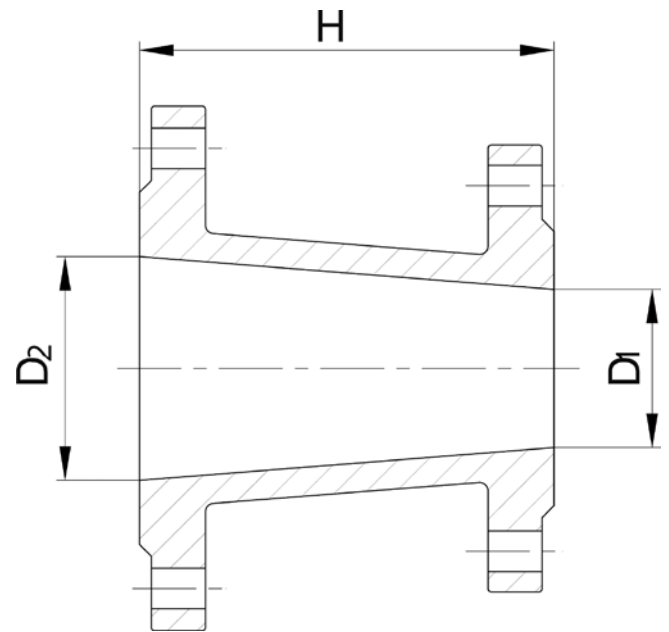


图 5 fig.5

锥管尺寸 Dimensions Of Conic Pipe

为减少管路阻力损失，一般应控制管路中的水流速度大约2-2.5m/s，所以水泵出水口应装扩散锥管。

To release resistance loss in pipes,generally,the flow speed should be controlled at 2-2.5m/s approximately.So conic pipe should be used in outlet.

| 水泵出水口直径 Outlet diameter of pump | 适用配用锥管 Conic applicable |
|------------------------------------|----------------------------|
| 40 | 40-65 |
| 50 | 50-80 |
| 65 | 65-100 |
| 100 | 100-125 |
| 125 | 125-150 |
| 150 | 150-200 |
| 200 | 200-250 |
| 250 | 250-300 |
| 300 | 300-350 |

| D ₁ | D ₂ | L ₄ | 最大工作压力 Pressure(MPa) |
|----------------|----------------|----------------|-------------------------|
| 150 | 250 | 300 | 1.6 |
| 200 | 250 | 300 | 1.6 |
| 200 | 300 | 300 | 1.6 |
| 250 | 300 | 300 | 1.6 |
| 250 | 350 | 300 | 1.6 |
| 300 | 350 | 300 | 1.6 |



全国统一服务热线 400 604 3398

地 址：广州市海珠区科韵南路133号
生产中心地址：佛山市南海区红岭路2号之一
销售部电话：(020) 66834613 66834616 66834618
技术咨询：(0757) 81093982
维修部电话：(020) 66834630 66834631
服务投诉：(020) 66834612

传 真：(020) 66834619 66834629
E - mail: sales@gygcn.com
网 址 URL: www.gypump.com

说明书内容如有改动，恕不另行通知
All specifications subject to change without notice

A-KTB20150301