

Bosch Rexroth AG
 Service Hydraulics
 Robert-Bosch-Strasse 2
 71701 Schwieberdingen
 Germany
 +49 (0)711/811-8481

备件表

材料编号: 1837001227
 图纸: B1837001227
 名称: 磁性线圈
 磁性线圈NG6G24/K4BOSCH

版本日期: 08/2017

日期: 20.10.2017

页: 1

项号	材料编号	名称	数量
600/2		护帽	1
600/1	1830508013	护帽	1
		护帽 CAPUCHON	
600		护帽	1

L = 组件 D = 密封元件

Security notice:

Assembly, commissioning and operation, disassembly, service (including maintenance and repair) require basic mechanical/electrical/hydraulic/pneumatic knowledge, as well as knowledge of the appropriate technical terms. In order to ensure operating safety, these activities may therefore only be carried out by qualified technical personnel or an instructed person under the direction and supervision of qualified personnel. Qualified personnel are those who can recognize possible hazards and institute the appropriate safety measures due to their professional training, knowledge, and experience, as well as their understanding of the relevant conditions pertaining to the work to be done. Qualified personnel must observe the rules relevant to the subject area. Also observe the generally applicable, legal or otherwise binding regulations of the European or national legislation and the rules for the prevention of accidents and for environmental protection applicable in your country. The data specified above only serve to describe the product. No statements concerning a certain condition or suitability for a certain application can be derived from our information. The given information does not release the user from the obligation of own judgement and verification. It must be remembered that our products are subject to a natural process of wear and aging.

©This document, as well as the data, specifications and other information set forth in it, are the exclusive property of Bosch Rexroth AG. Without their consent it may not be reproduced or given to third parties.

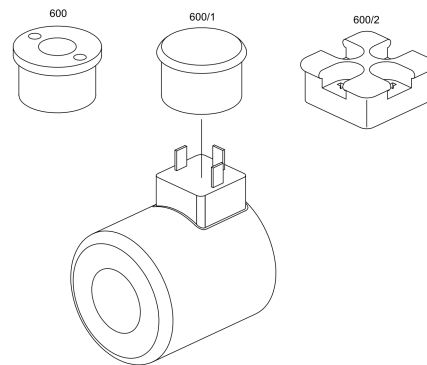
备件表

材料编号: 1837001227
图纸: B1837001227
名称: 磁性线圈
磁性线圈NG6G24/K4BOSCH
版本日期: 08/2017

Bosch Rexroth AG
Service Hydraulics
Robert-Bosch-Strasse 2
71701 Schwieberdingen
Germany
+49 (0)711/811-8481

日期: 20.10.2017

页: 2



L = 组件 D = 密封元件

Security notice:

Assembly, commissioning and operation, disassembly, service (including maintenance and repair) require basic mechanical/electrical/hydraulic/pneumatic knowledge, as well as knowledge of the appropriate technical terms. In order to ensure operating safety, these activities may therefore only be carried out by qualified technical personnel or an instructed person under the direction and supervision of qualified personnel. Qualified personnel are those who can recognize possible hazards and institute the appropriate safety measures due to their professional training, knowledge, and experience, as well as their understanding of the relevant conditions pertaining to the work to be done. Qualified personnel must observe the rules relevant to the subject area. Also observe the generally applicable, legal or otherwise binding regulations of the European or national legislation and the rules for the prevention of accidents and for environmental protection applicable in your country. The data specified above only serve to describe the product. No statements concerning a certain condition or suitability for a certain application can be derived from our information. The given information does not release the user from the obligation of own judgement and verification. It must be remembered that our products are subject to a natural process of wear and aging.

©This document, as well as the data, specifications and other information set forth in it, are the exclusive property of Bosch Rexroth AG. Without their consent it may not be reproduced or given to third parties.