

Bosch Rexroth AG  
 Service Hydraulics  
 Bgm.-Dr.-Nebel-Str. 8  
 97816 Lohr  
 Germany

## 备件表

材料编号: R900743105  
 图纸: R961001995  
 名称: 液压比例方向阀  
 4WRDE 10 V50L-5X/6L15K9/V

版本日期: 10/2017

日期: 20.10.2017

页: 1

项号	材料编号	名称	数量	
10		先导阀	1 件	
997	R961000838	密封套件 密封套件06A-VR/RN5FACH	1 件	L
999	R961011083	密封套件 密封套件10B-VR/RN-STETIG-2FA&	1 件	L

L = 组件 D = 密封元件

### Security notice:

Assembly, commissioning and operation, disassembly, service (including maintenance and repair) require basic mechanical/electrical/hydraulic/pneumatic knowledge, as well as knowledge of the appropriate technical terms. In order to ensure operating safety, these activities may therefore only be carried out by qualified technical personnel or an instructed person under the direction and supervision of qualified personnel. Qualified personnel are those who can recognize possible hazards and institute the appropriate safety measures due to their professional training, knowledge, and experience, as well as their understanding of the relevant conditions pertaining to the work to be done. Qualified personnel must observe the rules relevant to the subject area. Also observe the generally applicable, legal or otherwise binding regulations of the European or national legislation and the rules for the prevention of accidents and for environmental protection applicable in your country. The data specified above only serve to describe the product. No statements concerning a certain condition or suitability for a certain application can be derived from our information. The given information does not release the user from the obligation of own judgement and verification. It must be remembered that our products are subject to a natural process of wear and aging.

©This document, as well as the data, specifications and other information set forth in it, are the exclusive property of Bosch Rexroth AG. Without their consent it may not be reproduced or given to third parties.

## 备件表

材料编号: R900743105  
 图纸: R961001995  
 名称: 液压比例方向阀  
 4WRDE 10 V50L-5X/6L15K9/V

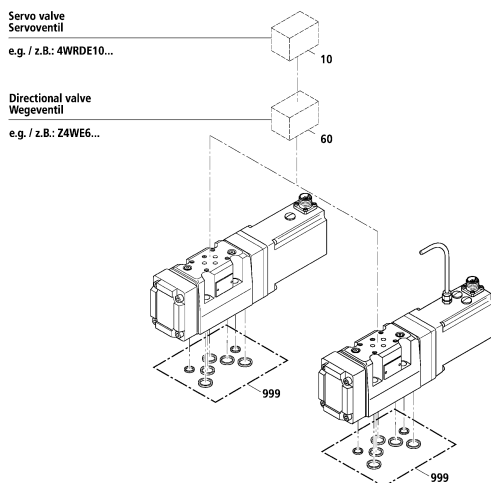
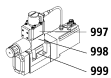
版本日期: 10/2017

日期: 20.10.2017

页: 2

Zeichnungs-Nr.: R961001995-A  
 Typenschlüssel: Z3D. 4WRD/WRDE 10.-3X/4X/5X/...

Seal kit  
 Dichtsatz



L = 组件 D = 密封元件

### Security notice:

Assembly, commissioning and operation, disassembly, service (including maintenance and repair) require basic mechanical/electrical/hydraulic/pneumatic knowledge, as well as knowledge of the appropriate technical terms. In order to ensure operating safety, these activities may therefore only be carried out by qualified technical personnel or an instructed person under the direction and supervision of qualified personnel. Qualified personnel are those who can recognize possible hazards and institute the appropriate safety measures due to their professional training, knowledge, and experience, as well as their understanding of the relevant conditions pertaining to the work to be done. Qualified personnel must observe the rules relevant to the subject area. Also observe the generally applicable, legal or otherwise binding regulations of the European or national legislation and the rules for the prevention of accidents and for environmental protection applicable in your country. The data specified above only serve to describe the product. No statements concerning a certain condition or suitability for a certain application can be derived from our information. The given information does not release the user from the obligation of own judgement and verification. It must be remembered that our products are subject to a natural process of wear and aging.

©This document, as well as the data, specifications and other information set forth in it, are the exclusive property of Bosch Rexroth AG. Without their consent it may not be reproduced or given to third parties.

**备件表**Bosch Rexroth AG  
Service Hydraulics  
Bgm.-Dr.-Nebel-Str. 8  
97816 Lohr  
Germany材料编号: R961000838  
图纸: RA51645935  
名称: 密封套件  
密封套件06A-VR/RN5FACH

版本日期: 10/2017

日期: 20.10.2017

页: 3

项号	材料编号	名称	数量
10		R-RING	20 件

L = 组件 D = 密封元件

Security notice:

Assembly, commissioning and operation, disassembly, service (including maintenance and repair) require basic mechanical/electrical/hydraulic/pneumatic knowledge, as well as knowledge of the appropriate technical terms. In order to ensure operating safety, these activities may therefore only be carried out by qualified technical personnel or an instructed person under the direction and supervision of qualified personnel. Qualified personnel are those who can recognize possible hazards and institute the appropriate safety measures due to their professional training, knowledge, and experience, as well as their understanding of the relevant conditions pertaining to the work to be done. Qualified personnel must observe the rules relevant to the subject area. Also observe the generally applicable, legal or otherwise binding regulations of the European or national legislation and the rules for the prevention of accidents and for environmental protection applicable in your country. The data specified above only serve to describe the product. No statements concerning a certain condition or suitability for a certain application can be derived from our information. The given information does not release the user from the obligation of own judgement and verification. It must be remembered that our products are subject to a natural process of wear and aging.

©This document, as well as the data, specifications and other information set forth in it, are the exclusive property of Bosch Rexroth AG. Without their consent it may not be reproduced or given to third parties.

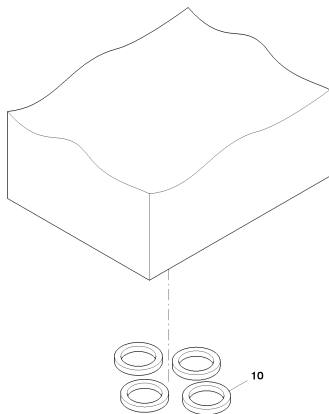
## 备件表

材料编号: R961000838  
图纸: RA51645935  
名称: 密封套件  
密封套件06A-VR/RN5FACH  
版本日期: 10/2017

Bosch Rexroth AG  
Service Hydraulics  
Bgm.-Dr.-Nebel-Str. 8  
97816 Lohr  
Germany

日期: 20.10.2017  
页: 4

Zeichnungs-Nr.: RA51645935-AA  
Typenschlüssel: Z3D.06 A-/RN



Dichtungssatz für Ventile  
der Nenngröße 6 mit Form A nach  
ISO4401-03-02-0-05

Seal kit for valve  
Size 6 with form A in accordance with  
ISO4401-03-02-0-05

L = 组件 D = 密封元件

### Security notice:

Assembly, commissioning and operation, disassembly, service (including maintenance and repair) require basic mechanical/electrical/hydraulic/pneumatic knowledge, as well as knowledge of the appropriate technical terms. In order to ensure operating safety, these activities may therefore only be carried out by qualified technical personnel or an instructed person under the direction and supervision of qualified personnel. Qualified personnel are those who can recognize possible hazards and institute the appropriate safety measures due to their professional training, knowledge, and experience, as well as their understanding of the relevant conditions pertaining to the work to be done. Qualified personnel must observe the rules relevant to the subject area. Also observe the generally applicable, legal or otherwise binding regulations of the European or national legislation and the rules for the prevention of accidents and for environmental protection applicable in your country. The data specified above only serve to describe the product. No statements concerning a certain condition or suitability for a certain application can be derived from our information. The given information does not release the user from the obligation of own judgement and verification. It must be remembered that our products are subject to a natural process of wear and aging.

©This document, as well as the data, specifications and other information set forth in it, are the exclusive property of Bosch Rexroth AG. Without their consent it may not be reproduced or given to third parties.

**备件表**Bosch Rexroth AG  
Service Hydraulics  
Bgm.-Dr.-Nebel-Str. 8  
97816 Lohr  
Germany材料编号: R961011083  
图纸: RA51354343  
名称: 密封套件  
密封套件10B-VR/RN-STETIG-2FA&

版本日期: 10/2017

日期: 20.10.2017

页: 5

项号	材料编号	名称	数量
10		R-RING	10 件
20		R-RING	4 件
20		R-RING	4 件

L = 组件 D = 密封元件

Security notice:

Assembly, commissioning and operation, disassembly, service (including maintenance and repair) require basic mechanical/electrical/hydraulic/pneumatic knowledge, as well as knowledge of the appropriate technical terms. In order to ensure operating safety, these activities may therefore only be carried out by qualified technical personnel or an instructed person under the direction and supervision of qualified personnel. Qualified personnel are those who can recognize possible hazards and institute the appropriate safety measures due to their professional training, knowledge, and experience, as well as their understanding of the relevant conditions pertaining to the work to be done. Qualified personnel must observe the rules relevant to the subject area. Also observe the generally applicable, legal or otherwise binding regulations of the European or national legislation and the rules for the prevention of accidents and for environmental protection applicable in your country. The data specified above only serve to describe the product. No statements concerning a certain condition or suitability for a certain application can be derived from our information. The given information does not release the user from the obligation of own judgement and verification. It must be remembered that our products are subject to a natural process of wear and aging.

©This document, as well as the data, specifications and other information set forth in it, are the exclusive property of Bosch Rexroth AG. Without their consent it may not be reproduced or given to third parties.

## 备件表

材料编号: R961011083  
图纸: RA51354343  
名称: 密封套件  
密封套件10B-VR/RN-STETIG-2FA&

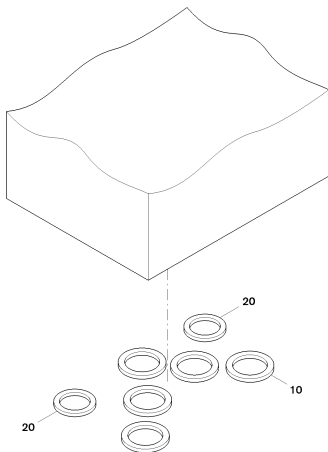
Bosch Rexroth AG  
Service Hydraulics  
Bgm.-Dr.-Nebel-Str. 8  
97816 Lohr  
Germany

版本日期: 10/2017

日期: 20.10.2017

页: 6

Zeichnungs-Nr.: RA51354343-AA  
Typenschlüssel: Z3D, 10B-/RN



Dichtungssatz für Ventile  
der Nenngröße 10 mit Form B nach  
ISO4401-05-05-0-05

Seal kit for valve  
Size 10 with form B in accordance with  
ISO4401-05-05-0-05

L = 组件 D = 密封元件

### Security notice:

Assembly, commissioning and operation, disassembly, service (including maintenance and repair) require basic mechanical/electrical/hydraulic/pneumatic knowledge, as well as knowledge of the appropriate technical terms. In order to ensure operating safety, these activities may therefore only be carried out by qualified technical personnel or an instructed person under the direction and supervision of qualified personnel. Qualified personnel are those who can recognize possible hazards and institute the appropriate safety measures due to their professional training, knowledge, and experience, as well as their understanding of the relevant conditions pertaining to the work to be done. Qualified personnel must observe the rules relevant to the subject area. Also observe the generally applicable, legal or otherwise binding regulations of the European or national legislation and the rules for the prevention of accidents and for environmental protection applicable in your country. The data specified above only serve to describe the product. No statements concerning a certain condition or suitability for a certain application can be derived from our information. The given information does not release the user from the obligation of own judgement and verification. It must be remembered that our products are subject to a natural process of wear and aging.

©This document, as well as the data, specifications and other information set forth in it, are the exclusive property of Bosch Rexroth AG. Without their consent it may not be reproduced or given to third parties.