

Datasheet

SATADOM-SV

3SE series

- SATA 6Gb/s interface
- iSMART disk health monitoring
- Intelligent error recovery system
- Excellent data transfer speed
- Zero mechanical interference
- Anti-vibration mechanical design



Introduction

Innodisk SATADOM-SV 3SE is designed as the standard SATA 7 pin connector with SATA interface, and supports SATA III standard (6.0Gb/s) with excellent performance., InnoDisk SATADOM-SV 3SE absolutely replaces the traditional hard disk and makes personal computer, in any field, smaller and easier.

Innodisk SATADOM-SV 3SE effectively reduces the booting time of operation system and the power consumption is less than hard disk drive (HDD), and complies with ATA protocol, no additional drives are required, and can be configured as a boot device or data storage device.



innodisk

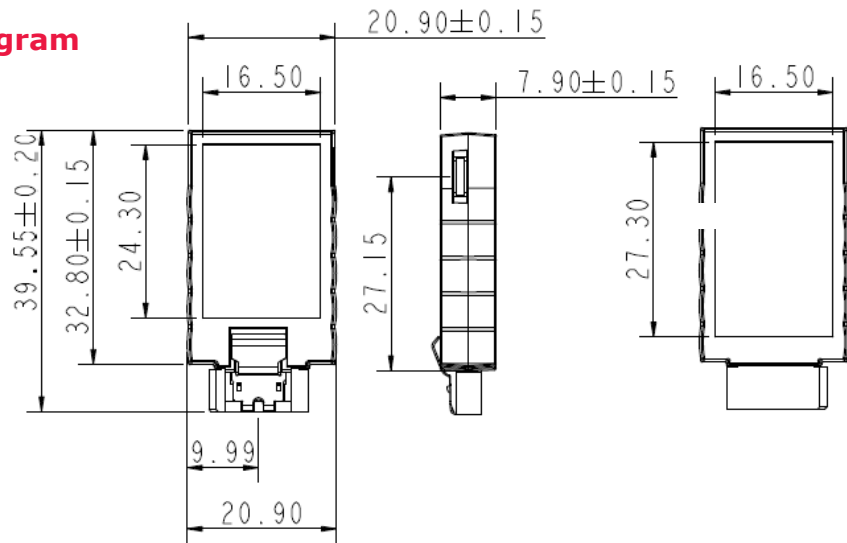
SATADOM-SV

3SE series

Contact us for more information about the SATADOM-SV 3SE.

Innodisk is a service-driven provider of industrial embedded flash storage products and technologies, with a focus on the cloud computing, industrial/embedded, and aerospace and defense industries.

Diagram



Specifications

Interface	SATA III
Flash Type	SLC
Capacity	1GB~32GB
Max. Channels	2
Sequential R/W (MB/sec, max.)	300 / 130
Max. Power Consumption	0.6 W (5V x 130 mA)
Thermal Sensor	WT only
External DRAM buffer	-
H/W Write Protect	-
ATA Security	√
S.M.A.R.T.	√
Dimension (WxLxH)	20.9 X 39.5 X 7.9 mm
Environment	Vibration: 20G @7~2000Hz Shock: 1500G @ 0.5ms Storage Temperature: -55°C ~ +95°C MTBF: 3 million hours

Ordering Information

Operation Temp.	1GB	2GB	4GB	8GB	16GB	32GB
Standard Grade (0°C ~ +70°C)	DESSV-01GD07AC1SB(F)	DESSV-02GD07AC1SB(F)	DESSV-04GD07SCADB(F)	DESSV-08GD07SCADB(F)	DESSV-16GD07SCADB(F)	DESSV-32GD07SCADB(F)
Industrial Grade (-40°C ~ +85°C)	DESSV-01GD07AW1SB(F)	DESSV-02GD07AW1SB(F)	DESSV-04GD07SWADB(F)	DESSV-08GD07SWADB(F)	DESSV-16GD07SWADB(F)	DESSV-32GD07SWADB(F)

