



Model Number

THI40P-1CAK2R6TN-01024

Features

- Compact design
- 1024 ppr
- 4.75 V ... 30 V with short-circuit proof push-pull output
- Degree of protection IP65

Description

The THI40 continues the new economical target line of Pepperl+Fuchs. With a small outside diameter of 40 mm, the unit is ideal for use in industrial areas where very little space is available. The technology of the rotary encoder is adapted to the new requirements of the rotary encoder market. Innovative fast technology with Opto-ASIC forms the central basis of the device.

Technical data

General specifications

Detection type	photoelectric sampling
Pulse count	1024

Electrical specifications

Operating voltage U_B	4.75 ... 30 V DC
No-load supply current I_0	max. 55 mA

Output

Output type	push-pull, incremental
Voltage drop U_d	≤ 2.5 V
Load current	max. per channel 30 mA, short-circuit protected
Output frequency	max. 100 kHz
Rise time	980 ns
De-energized delay t_{off}	980 ns

Connection

Cable	$\varnothing 5$ mm, 8 x 0.08 mm ² , 2 m
-------	--

Standard conformity

Degree of protection	DIN EN 60529, IP65
Climatic testing	DIN EN 60068-2-3, no moisture condensation
Emitted interference	EN 61000-6-4:2007/A1:2011
Noise immunity	EN 61000-6-2:2005
Shock resistance	DIN EN 60068-2-27, 100 g, 6 ms
Vibration resistance	DIN EN 60068-2-6, 10 g, 10 ... 2000 Hz

Ambient conditions

Operating temperature	-10 ... 60 °C (14 ... 140 °F)
Storage temperature	-25 ... 85 °C (-13 ... 185 °F)

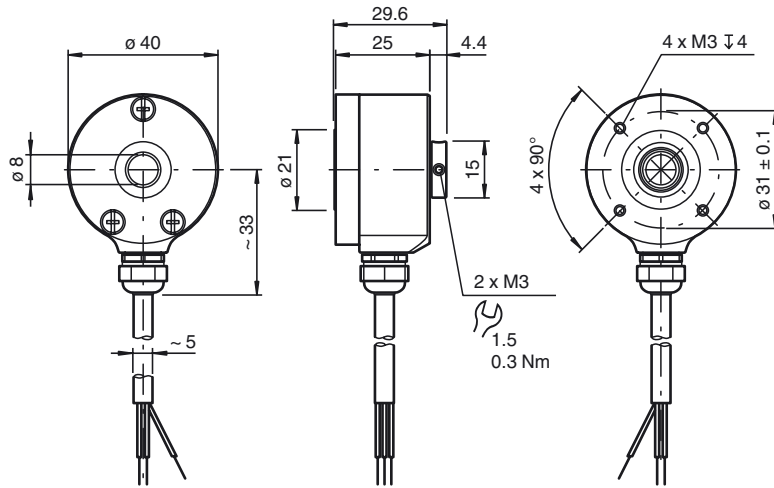
Mechanical specifications

Material	
Housing	Aluminum
Flange	Aluminum
Shaft	Stainless steel
Mass	approx. 160 g
Rotational speed	max. 6000 min ⁻¹
Moment of inertia	≤ 5 gcm ²
Starting torque	≤ 1 Ncm

Approvals and certificates

UL approval	cULus Listed, General Purpose, Class 2 Power Source
Maximum permissible ambient temperature	≤ 60 °C (≤ 140 °F)

Dimensions

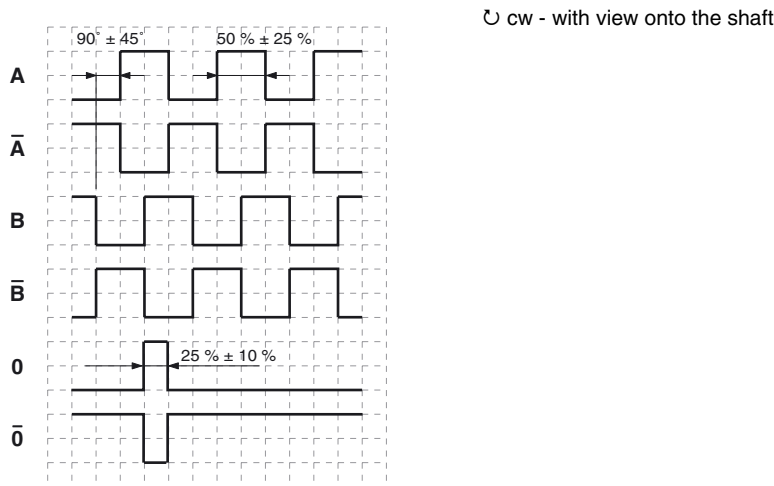


Electrical connection

Signal	Cable, 8-core
GND	White
+U _b	Brown
A	Green
B	Grey
\bar{A}	Yellow
\bar{B}	Pink
0	Blue
$\bar{0}$	Red
Screen	-

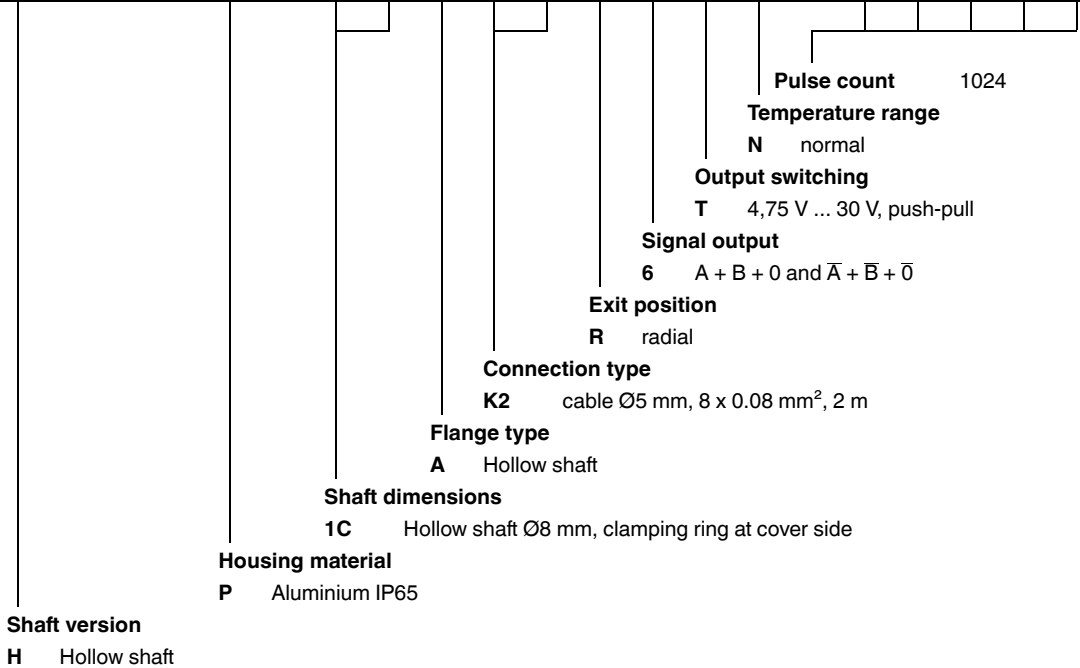
Release date: 2018-04-10 10:48 Date of issue: 2018-04-10 296517_eng.xml

Signal outputs



Order code

T H I 4 0 P - 1 C A K 2 R 6 T N - 0 1 0 2 4



Release date: 2018-04-10 10:48 Date of issue: 2018-04-10 296517_eng.xml