

Bourdon Tube Pressure Gauges Model MBB, with/without Liquid Filling, Stainless Steel Case

Applications

- ▣ hydraulics system
- ▣ compressors
- ▣ wind power industry
- ▣ shipping industry
- ▣ construction machine industry

Special Features

- ▣ special process connection for refrigeration industry
- ▣ special oil filling reach requirement of ambient temperature - 40 °C
- ▣ various brackets for difference application
- ▣ Max. scale range reach 1000bar
- ▣ various throttles against shocking and vibration



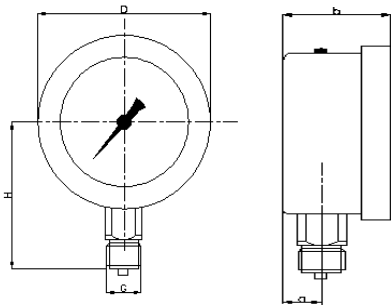
Technical data

| | |
|---|---|
| Design | Pressure application |
| EN 837-1 | permanent loading: NS 63: 3/4 x full scale range NS 100: full scale range |
| Nominal size in mm | dynamic loading: NS 63: 2/3 x full scale range NS 100: 0.9x full scale range |
| 63,100 | overpressure protection: NS 63: full scale range NS 100: 1.3x full scale range |
| Accuracy class | Ingress protection |
| NS 63: 1.6% NS 100: 1.0% | IP 54 per EN 60 529 / IEC 529 |
| Scale ranges | Operating temperature |
| 0...0.6 to 0...1000 bar vacuum pressure is available | Ambient: -25 ... +60 °C Medium: +60 °C maximum |

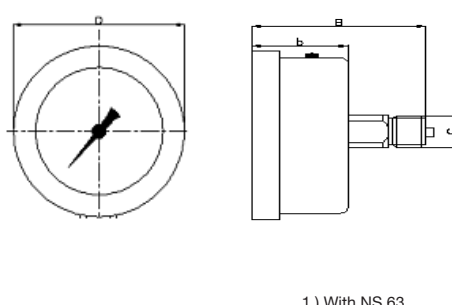
| | |
|--|--|
| Case | Measuring element |
| CrNi steel, with pressure relief @ the position of 12 o'clock Ranges 0/16 bar with compensating valve-position 12 o'clock | NS 63: < 60 bar: Cu-alloy, C-type 60 bar: Cu-alloy, helical type |
| Bezel ring | NS 100: < 100 bar: Cu-alloy, C-type 100 bar: stainless steel 316L, helical type |
| stainless steel, flat bezel | |
| Window | Movement |
| NS 63: plastic NS 100: instrumentation glass | Cu-alloy |
| Dial | Process connection |
| Aluminium, white | Cu-alloy lower mount or back mount |
| Pointer | NS 63: G ¼ B (male), 14 mm flats NS 100: G ½ B (male), 22 mm flats |
| Aluminium, black | |

Dimensions in mm

Lower mount (LM)

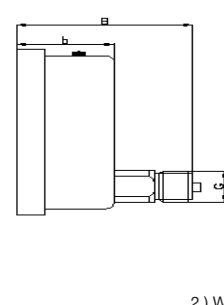


Centre back mount (CBM) 1)



1) With NS 63

Lower back mount (LBM) 2)



2) With NS 100

| NS | H | a | b | B | D | G | SW |
|-----|----|------|------|------|-------|-------|----|
| 63 | 54 | 13.5 | 32.5 | 56.5 | 68.5 | G ¼ B | 14 |
| 100 | 87 | 15.5 | 48.5 | 82 | 107.5 | G ½ B | 22 |