

Bourdon Tube Pressure Gauges Stainless Steel Series Model MBS

Applications

- ▣ chemical/petro-chemical industry
- ▣ hydraulics system
- ▣ compressors
- ▣ wind power industry
- ▣ shipping industry

Special Features

- ▣ special process connection for various application
- ▣ special oil filling reach requirement of ambient temperature - 40 °C
- ▣ combined with various chemical seals for difference application
- ▣ Max. scale range reach 1600bar
- ▣ various throttles against shocking and vibration



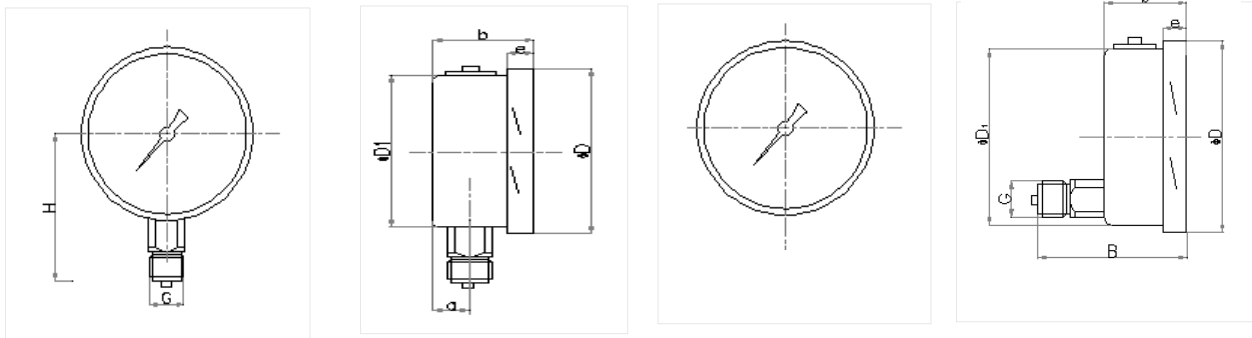
Technical data

Design	Pressure application
EN 837-1	permanent loading: NS 63: 3/4 xfull scale range NS 100: full scale range
Nominal size in mm	dynamic loading: NS 63: 2/3 xfull scale range NS 100: 0.9xfull scale range
63,100	overpressure protection: NS 63: full scale range NS 100: 1.3xfull scale range
Accuracy class	Ingress protection
NS 63: 1.6% NS 100: 1.0%	IP 65 per EN 60 529 / IEC 529
Scale ranges	Operating temperature
0...0.6 to 0...1000 bar vacuum pressure is available	Ambient: -25 ... +60 °C Medium: +60 °C maximum

Case	Measuring element
st.st.1.4301,with pressure relief@ the position of 12 o'clock Ranges 0/16 bar with compensating valve-position 12 o'clock	NS 63: < 60 bar: st.st., C-type 60 bar: st.st., helical type
Bezel ring	NS 100: < 100 bar: st.st., C-type 100 bar: st.st., helical type
stainless steel, flat bezel	
Window	Movement
NS 63: plastic NS 100: Laminated safety glass	stainless steel
Dial	Process connection
Aluminium,white	stainless steel
Pointer	lower mount or back mount
Aluminium,black	NS 63: G ¼ B (male), 14 mm flats NS 100: G ½ B (male), 22 mm flats

Dimensions in mm

Lower mount (LM)



NS	H	a	b	B	D	G	SW
63	54	13.5	32.5	56.5	63	G ¼ B	14
100	87	15.5	48.5	82	101	G ½ B	22