

# 电动蝶阀

## ELECTRIC ACTUATED BUTTERFLY VALVE



# 电动蝶阀 / Electric Actuated Butterfly Valves

## 产品编码 [Product Coding]

**E - PN16 DJ L U E 80**

①                      ②                      ③                      ④                      ⑤                      ⑥                      ⑦

①驱动装置 Actuator  
E.....Electric Actuators

②压力等级 Class  
PN16.....PN16  
PN25.....PN25  
10.....10K  
20.....20K

③阀门类型 Valve Type  
DJ.....球墨铸铁蝶阀  
Ductile Iron Butterfly Valve  
XJ.....铝合金蝶阀  
Aluminum Butterfly Valve

④连接方式 End Connection  
无None.....对夹式 Wafer  
L.....凸耳式 Lugged

⑤阀板材质 Disc Material  
无None.....球墨铸铁 Ductile Iron+ 镀镍 Ni plating  
U.....304不锈钢 304S.S.  
M.....316不锈钢 316S.S.

⑥阀座材质 Seat Material  
E.....三元乙丙橡胶 EPDM

⑦公称直径 Nominal Diameter

## 制作范围 [Product Range]

类型 \ Type	产品编码 \ Product Coding	公称直径 \ Nominal Diameter														
		40	50	65	80	100	125	150	200	250	300	350	400	450	500	600
球墨铸铁蝶阀 Ductile Iron Butterfly Valve	E-PN16DJE	-	●	●	●	●	●	●	●	●	●	●	●	●	●	●
	E-PN16DJUE	-	●	●	●	●	●	●	●	●	●	●	●	●	●	●
	E-PN16DJME	-	●	●	●	●	●	●	●	●	●	●	●	●	●	●
	E-PN16DJLE	-	●	●	●	●	●	●	●	●	●	▲	▲	▲	▲	▲
	E-PN16DJLUE	-	●	●	●	●	●	●	●	●	●	▲	▲	▲	▲	▲
	E-PN16DJLME	-	●	●	●	●	●	●	●	●	●	▲	▲	▲	▲	▲
	E-PN25DJE	-	●	●	●	●	●	●	●	●	●	-	-	-	-	-
	E-PN25DJUE	-	●	●	●	●	●	●	●	●	●	-	-	-	-	-
	E-PN25DJLE	-	●	●	●	●	●	●	●	●	●	-	-	-	-	-
	E-PN25DJLUE	-	●	●	●	●	●	●	●	●	●	-	-	-	-	-
铝合金蝶阀 Aluminum Butterfly Valve	E-20DJUE	-	●	●	●	●	●	●	●	●	●	●	●	●	●	●
	E-PN16XJME	-	●	●	●	●	●	●	●	●	-	-	-	-	-	-
	E-10XJMEA	●	●	●	●	●	●	●	●	●	●	■	-	-	-	-

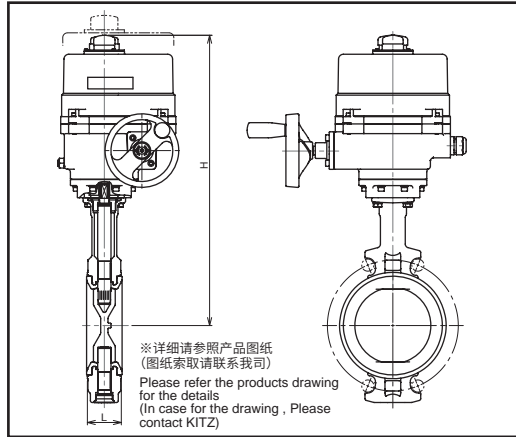
注 \ Note: ▲ 如选型范围为 ▲ 部分, 请联系我司确认 (非标准设计)。  
■ 口径300mm的产品编码为E-10XJME。

# E-PN16DJE 球墨铸铁蝶阀

## E-PN25DJE

## E-20DJUE

DUCTILE IRON BUTTERFLY VALVES



● 开关型 \ On-Off Type ( E-PN16DJE系列 / E-PN25DJE系列 / E-20DJUE系列 ) 尺寸 Dimensions (mm)

DN	E-PN16DJE 系列			E-PN25DJE 系列			E-20DJUE 系列		
	L	H	电动执行机构型号\ Electric Actuator Type	L	H	电动执行机构型号\ Electric Actuator Type	L	H	电动执行机构型号\ Electric Actuator Type
50	43	257	KZEB2-O	46	257	KZEB2-O	43	257	KZEB2-O
65	46	265	KZEB3-O	46	265	KZEB3-O	46	265	KZEB3-O
80	46	338	KZEF1-O	46	338	KZefa-O	46	338	KZefa-O
100	52	348	KZefa-O	52	348	KZefa-O	52	348	KZefa-O
125	56	408	KZEFH-O	56	479	KZE02-O	56	479	KZE02-O
150	56	491	KZE02-O	56	491	KZE03-O	56	491	KZE03-O
200	60	516	KZE03-O	60	575	KZE04-O	60	516	KZE03-O
250	68	631	KZE04-O	68	631	KZE05-O	68	631	KZE04-O
300	78	656	KZE05-O	78	656	KZE06-O	78	656	KZE05-O
350	78	687	KZE05-O	-	-	-	78	687	KZE06-O
400	102	754	KZE07-O	-	-	-	102	794	KZE08-O
450	114	778	KZE07A-O	-	-	-	114	818	KZE08-O
500	127	892	KZE08-O	-	-	-	127	892	KZE09-O
600	154	1068	KZE10-O	-	-	-	154	1068	KZE10-O

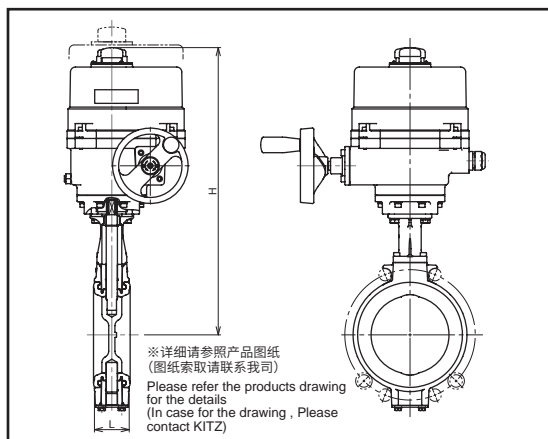
● 调节型 \ Modulating Type ( E-PN16DJE系列 / E-PN25DJE系列 / E-20DJUE系列 ) 尺寸 Dimensions (mm)

DN	E-PN16DJE 系列			E-PN25DJE 系列			E-20DJUE 系列		
	L	H	电动执行机构型号\ Electric Actuator Type	L	H	电动执行机构型号\ Electric Actuator Type	L	H	电动执行机构型号\ Electric Actuator Type
50	43	257	KZEB2-I	46	257	KZEB3-I	43	257	KZEB3-I
65	46	265	KZEB3-I	46	340	KZEB1-I	46	340	KZEF1-I
80	46	358	KZefa-I	46	385	KZEFH-I	46	385	KZEFH-I
100	52	368	KZefa-I	52	395	KZEFH-I	52	395	KZEFH-I
125	56	479	KZE02-I	56	479	KZE03-I	56	479	KZE03-I
150	56	491	KZE03-I	56	575	KZE04-I	56	491	KZE03-I
200	60	516	KZE03A-I	60	575	KZE04-I	60	575	KZE04-I
250	68	631	KZE05-I	68	631	KZE06-I	68	631	KZE05-I
300	78	656	KZE06-I	78	656	KZE07-I	78	656	KZE07-I
350	78	687	KZE07-I	-	-	-	78	739	KZE08-I
400	102	754	KZE07A-I	-	-	-	102	794	KZE09-I
450	114	818	KZE08-I	-	-	-	114	818	KZE09-I
500	127	892	KZE09-I	-	-	-	127	1020	KZE10-I
600	154	1068	KZE10A-I	-	-	-	154	1081	KZE12-I

蝶阀  
电动蝶阀  
闸阀  
截止阀  
止回阀  
球阀  
过滤器  
泄放阀  
排气阀  
水力控制阀  
平衡阀  
补充部分

# 电动蝶阀 / Electric Actuated Butterfly Valves

## E-PN16XJME 铝制蝶阀 ALUMINUM BUTTERFLY VALVES E-10XJMEA



### ● 开关型 \ On-Off Type ( E-PN16XJME系列 / E-10XJMEA系列 )

尺寸 Dimensions (mm)

DN	E-PN16XJME 系列			E-10XJMEA 系列		
	L	H	电动执行机构型号\ Electric Actuator Type	L	H	电动执行机构型号\ Electric Actuator Type
50	43	242	KZEB3-O	33	237	KZEB2-O
65	46	251	KZEB3-O	43	242	KZEB2-O
80	46	341	KZEFH-O	46	251	KZEB3-O
100	52	352	KZEFH-O	46	314	KZEFA-O
125	56	463	KZE03-O	52	325	KZEFA-O
150	56	475	KZE03-O	56	387	KZEFH-O
200	60	586	KZE04-O	56	475	KZE02-O
250	-	-	-	60	502	KZE03-O
300	-	-	-	68	655	KZE04-O
350	-	-	-	78	680	KZE05-O
400	-	-	-	-	-	-
450	-	-	-	-	-	-
500	-	-	-	-	-	-
600	-	-	-	-	-	-

### ● 调节型 \ Modulating Type ( E-PN16XJME系列 / E-10XJMEA系列 )

尺寸 Dimensions (mm)

DN	E-PN16XJME 系列			E-10XJMEA 系列		
	L	H	电动执行机构型号\ Electric Actuator Type	L	H	电动执行机构型号\ Electric Actuator Type
50	43	317	KZEF1-I	33	237	KZEB2-I
65	46	326	KZEFA-I	43	242	KZEB3-I
80	46	417	KZE02-I	46	326	KZEF1-I
100	52	428	KZE03-I	46	361	KZEFH-I
125	56	463	KZE03-I	52	372	KZEFH-I
150	56	559	KZE04-I	56	463	KZE02-I
200	60	586	KZE05-I	56	475	KZE03-I
250	-	-	-	60	586	KZE04-I
300	-	-	-	68	655	KZE05-I
350	-	-	-	78	680	KZE06-I
400	-	-	-	-	-	-
450	-	-	-	-	-	-
500	-	-	-	-	-	-
600	-	-	-	-	-	-

## 电动执行机构规格 \ Electric Actuators Specifications

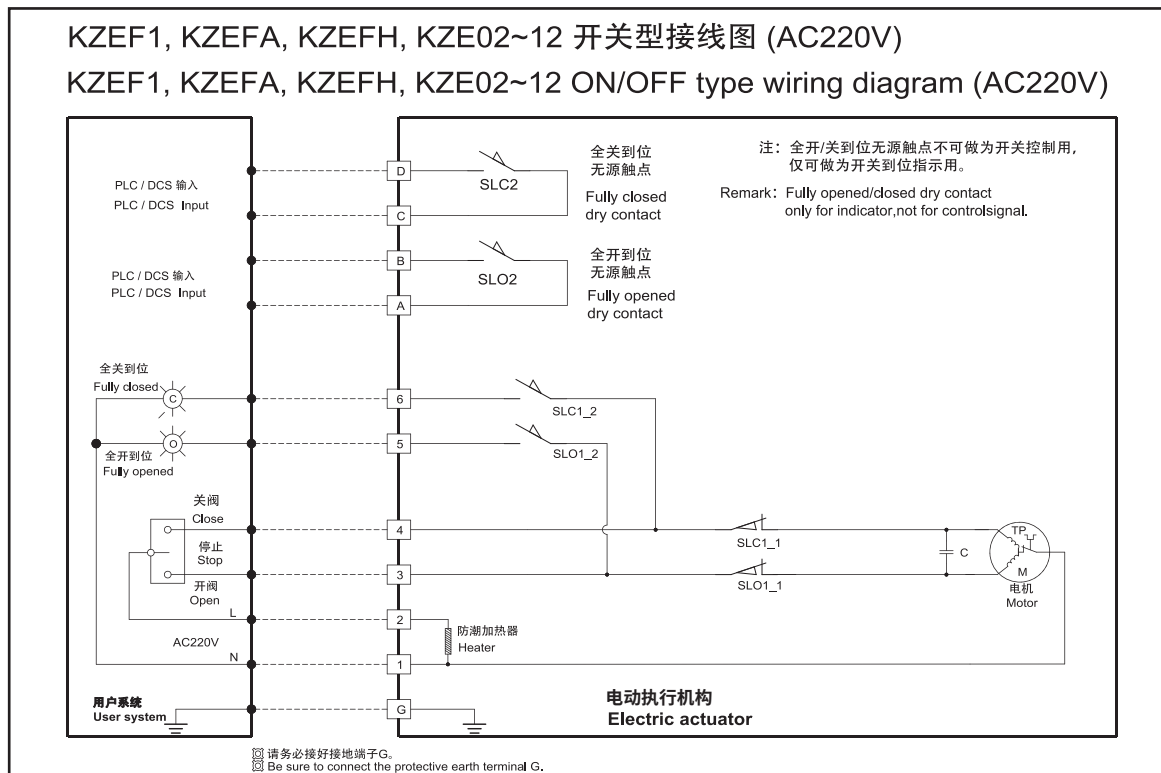
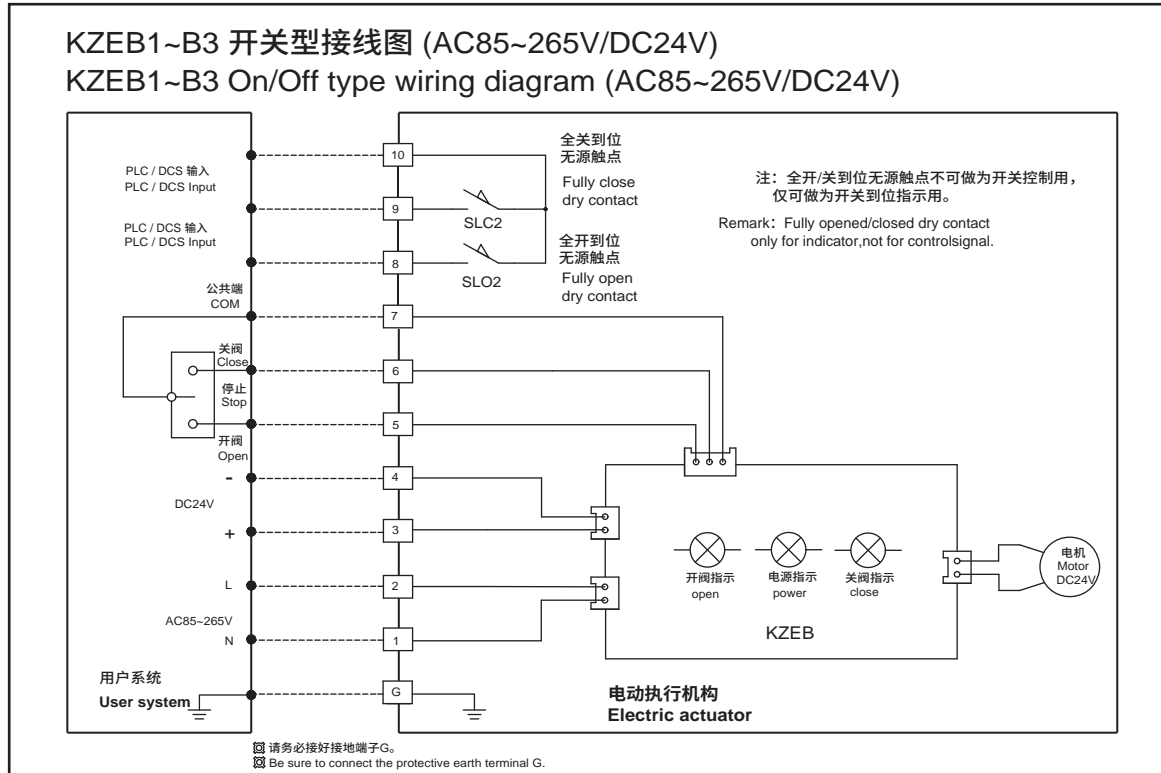
型号 Type	电压 Voltage	功率 Power (W)	最大输出扭矩 Max Output Torque (N·m)	开关时间 Open/Close Time (Sec,50Hz)	备注 Remarks
KZEB1	AC85~265V/DC24V	5	10	13	手动扳手操作 Manual Wrench Operation
KZEB2	AC85~265V/DC24V	8	20	12	
KZEB3	AC85~265V/DC24V	10	30	11	
KZEF1	AC220V	10	35	11	
KZEFA	AC220V	10	50	15	
KZEFH	AC220V	10	80	22	手轮操作 Handwheel Operation
KZE02	AC220V	40	100	19	
KZE03	AC220V	40	200	39	
KZE03A	AC220V	40	300	39	
KZE04	AC220V	90	400	29	
KZE05	AC220V	90	600	39	
KZE06	AC220V	90	800	47	
KZE07	AC220V	120	1000	47	
KZE07A	AC220V	120	1300	47	
KZE08	AC220V	200	1700	34	
KZE09	AC220V	200	2300	47	
KZE10	AC220V	200	3500	76	
KZE10A	AC220V	200	4300	76	
KZE11	AC220V	200	5000	105	
KZE12	AC220V	200	8000	143	

- 环境温度、湿度 \ Ambient Temperature And Humidity : -25°C ~ +70°C , < 90% (25 °C)
- 工作环境 \ Service Environment: 不含有强腐蚀、易燃、易爆的介质 \ Without Any High Corrosion And Explosion Medium
- 工作时间 \ Working Time: KZEB1/KZEB2/KZEB3为S1工作制, 其他S2工作制, 额定工作时间为15min  
KZEB1/KZEB2/KZEB3 Is S1 Standard , The Others Are S2 Standard ,  
Rated Working Time Is 15min
- 防护等级 \ Protection Class: IP67
- 绝缘等级 \ Insulation Class: Class F
- 调节信号 \ Modulating Signal: 4~20mA
- 内部防结露 \ Moisture Prevent: 配置防潮电阻 \ Adopting Heating Resistance

# 电动蝶阀 / Electric Actuated Butterfly Valves

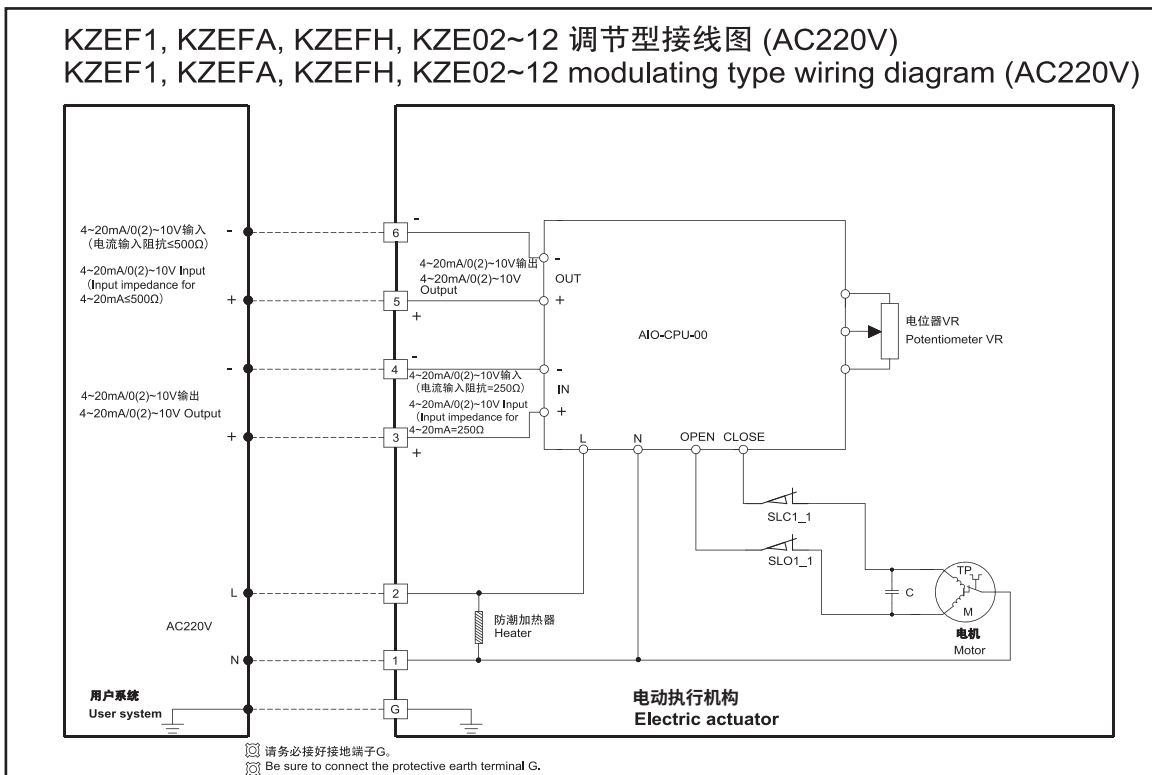
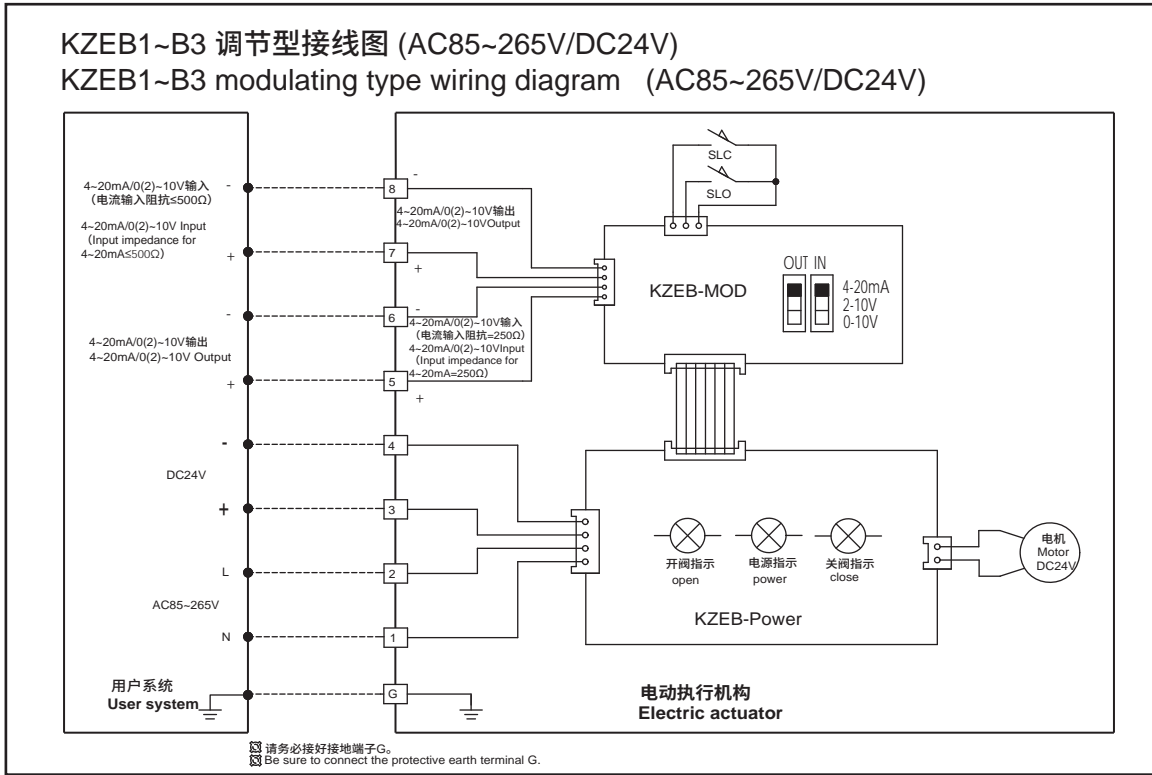
## 接线图 \ Wiring Diagram

### 开关型 \ On-Off Type



接线图 \ Wiring Diagram

调节型 \ Modulating Type



## 注意事项

### 注意事项

- 使用样本中介绍的执行机构前，请仔细阅读本操作手册，在完全理解后按照本手册进行操作。
- 小心搬运本产品以免脱落掉在地上。应避免任何机械碰撞。
- 应在无尘，低湿度和通风良好的室内保存本产品。
- 安装前请勿拿下保护罩。
- 禁止重压或踩踏本产品，以免损坏或造成人身伤害。
- 阀门安装时，请留出足够的空间以便手动操作或取下外罩。
- 在执行机构工作时，对暴露于日光下或雨水中的部位应采取相应的防护措施，应该使用隔热板阻挡执行机构周围的发热设备。
- 采取相应的措施避免由于可预料到的原因如：含盐空气，雪或冰冻造成的损坏。
- 避免将阀门和执行机构安装在由水泵或引擎之类设备引起震动的地方。
- 安装前，须清洗连接管，除去沙子，灰尘或焊渣等杂物。
- 在紧固螺纹连接阀门时，请将工具作用于阀门与管线邻近端进行紧固。
- 安装法兰阀时，以星形顺序交替拧紧螺栓以便将阀门正确紧固在管线上。
- 禁止将执行机构朝下安装。
- 管道必须冲洗干净以除去所有杂物。
- 如果在水管中用铸铁或铸钢阀门，应谨防生锈以免损坏阀门部件导致不能正常工作或发生意外。特别注意阀门的选型和防锈。
- 请根据电路图正确连接线路。
- 连接电线时一定要使用接线端子进行连接。
- 线路连接完成后，进行2次以上的绝缘测试以确保绝缘性。
- 确保机箱用O型圈之类材料密封，以防止灰尘和水进入。
- 禁止用一个开关同时操作两台或者两台以上的执行机构，且禁止用一个开关同时操作其他的电器设备。
- 确保加热器一直处于工作状态以防止执行机构产生冷凝水而出现故障。
- 确保手动操作时电源断开。
- 阀门的开闭动作间隔时间应为1-2秒，否则可能导致故障。
- 不允许任何未经授权的改装，这样会引致故障或事故。因使用不当、自行改造及不可抗力量导致的故障或事故，本公司概不负责。
- 请参照本公司样本获取更多阀门信息。

## 警告

- 本产品不防爆，禁止在易燃和腐蚀性气体环境下使用，不允许用于易燃流体。
- 禁止在通电时拆卸本产品。
- 阀门动作时，禁止将手指和其他异物放入阀门内部。



## Precautions

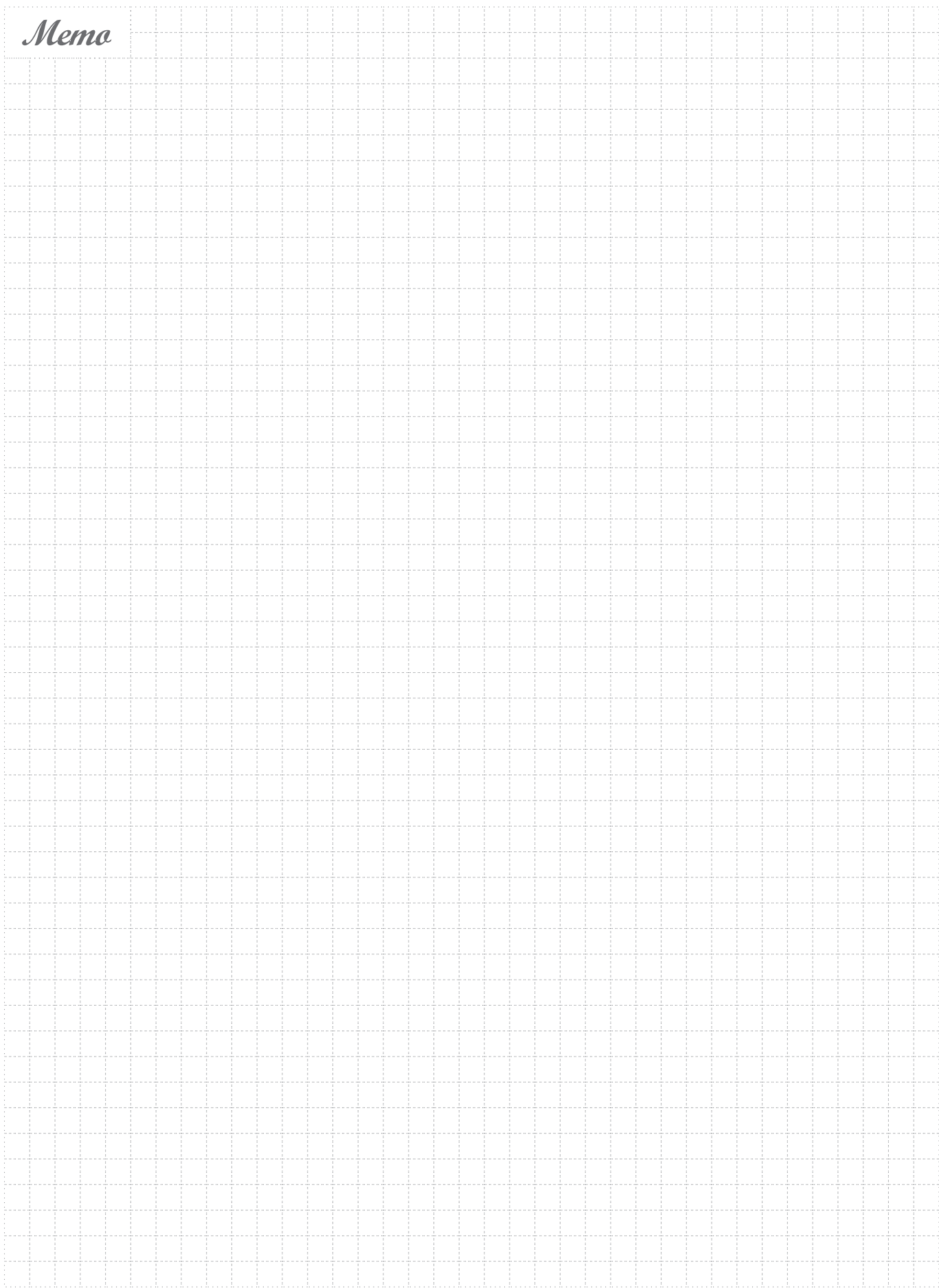
### CAUTION

- Ensure to read and follow instructions of operation manual when handling the actuator introduced in this catalog.
- Handle the product carefully so that it may not fall or drop on the ground.  
Any extraordinary mechanical impact should be avoided.
- Indoor storage of the product in a dust-free, low humidity and well-ventilated place is recommended.
- DO NOT remove protective cover until installation.
- DO NOT apply excessive load or step on the product, which may damage the product or cause personal injury.
- Allow sufficient room for manual operation or the removal of the actuator cover, when the valve is installed in the pipeline.
- Where the actuator is exposed to sunlight or rainwater while in service, use appropriate protection for trouble-free operation.  
Also use insulation boards for heat generated from the equipment around the actuator.
- Take some appropriate measures, if the possibilities of damage by briny atmosphere, snow or freezing are expected.
- Avoid installing the valve where the actuator may be hampered by vibration caused by equipment such as pumps or engines.
- Before installation, the connecting pipes should be cleaned to remove any foreign objects such as sand, dust or welding spatters.
- When threaded valves are screwed into pipes, apply a spanner to the ends of valves on the side of the connecting pipe being inserted.
- For flanged valves, alternately tighten bolts of the end flanges in a star pattern to ensure to fasten the flanges properly.
- The actuator should not be mounted downward in any piping orientation.
- The pipeline should be flushed to remove foreign particles from pipes.
- If cast iron or cast carbon steel valves are used in the water line, be aware that rust may develop in the valves, which may damage the ball seats, leading to operation failure. Pay extra attention on valve selection and protection from rust.
- Connect cables correctly in accordance with the circuit diagram.
- Ensure to use a terminal base when connecting cables.
- After connecting cables, conduct an insulation resistance test to ensure its insulation.
- Ensure the housing is securely sealed with such sealing materials as O-rings to prevent dust or water from entering the housing.
- DO NOT try to operate two or more actuators at the same time with only one operation switch. Other electrical equipment should not also be operated at the same time with one operation switch.
- Ensure the space heater to be activated all the time to keep the inside of the actuator warm for the prevention of due condensation, which may result in operational malfunction.
- Ensure the actuator is powered off, when it is used for manual operation.
- Place at least one-second interval, When the direction of operation is reversed. Failure to follow this instruction may result in operation malfunction.
- DO NOT make any unauthorized modifications. Such modifications may result in causing a troubled operation or accidents. We shall not be responsible for any troubles or accidents caused by improper use of the products.
- Refer to our catalogs for more details on valve information.

### WARNING

- This product is not designed for explosion-proof. DO NOT use it in any inflammable or corrosive gaseous environment. Also DO NOT use it for handling inflammable fluid.
- DO NOT disassemble the actuator while the unit is being energized.
- DO NOT put your fingers or insert any foreign objects within the valve core before or during valve operation.

*Mema*



# 闸阀 GATE VALVE

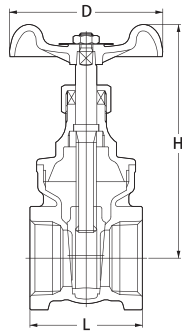


# 闸阀 / Gate Valve

**S** Class125 / PN16

## 青铜丝扣闸阀(暗杆式)

CAST BRONZE GATE VALVE(NON-RISING STEM), THREADED ENDS



### 【技术规格 \ Technical Specifications】

- 公称压力 \ Nominal Pressure: 1.6MPa (16Bar)
- 工作温度 \ Working Temperature: -10°C~120°C
- 工作介质 \ Working Medium: 水 \ Water (※Non-shock)
- 连接方式 \ End Connection: BS21 (ISO7)

### 材质 [Materials]

零件<Parts>	材质<Material>
阀体<Body>	青铜<Bronze>
阀杆<Stem>	耐脱锌黄铜 <Dezincification Resistant Brass>
阀板<Disc>	黄铜<Brass>

注:如需对应于其它介质,请联系KITZ。

Note: The other working medium, please contact KITZ.

### 尺寸 [Dimensions]

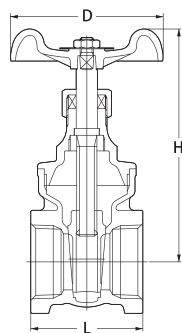
(mm)

DN	mm	10	15	20	25	32	40	50	65	80
	inch	3/8	1/2	3/4	1	1.1/4	1.1/2	2	2.1/2	3
L		38	42	47	50	60	63	72	80	90
H		75	75	86	97	117	126	154	167	200
D		50	50	55	60	70	80	90	100	115

**FR** Class125 / PN16

## 黄铜丝扣闸阀(暗杆式)

FORGED BRASS GATE VALVE (NON-RISING STEM), THREADED ENDS



### 【技术规格 \ Technical Specifications】

- 公称压力 \ Nominal Pressure: 1.6MPa (16Bar)
- 工作温度 \ Working Temperature: -10°C~120°C
- 工作介质 \ Working Medium: 水 \ Water (※Non-shock)
- 连接方式 \ End Connection: BS21 (ISO7)

### 材质 [Materials]

零件<Parts>	材质<Material>
阀体<Body>	黄铜<Brass>
阀杆<Stem>	耐脱锌黄铜 <Dezincification Resistant Brass>
阀板<Disc>	黄铜<Brass>

注:如需对应于其它介质,请联系KITZ。

Note: The other working medium, please contact KITZ.

### 尺寸 [Dimensions]

(mm)

DN	mm	10	15	20	25	32	40	50
	inch	3/8	1/2	3/4	1	1.1/4	1.1/2	2
L		38	42	47	50	60	63	72
H		73	73	87	97	117	126	154
D		50	50	55	60	70	80	90

# PN16HRZ PN16

## 黄铜锻造丝扣闸阀(暗杆式 / 缩径)

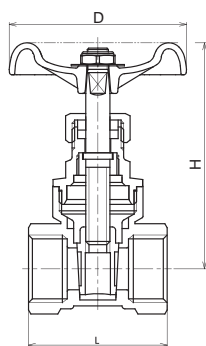
FORGED BRASS GATE VALVE(NON-RISING STEM / REDUCED BORE), THREADED ENDS

### 【技术规格\ Technical Specifications】

- 公称压力\ Nominal Pressure: 1.6MPa (16Bar)
- 工作温度\ Working Temperature: -10°C~100°C
- 工作介质\ Working Medium: 水\ Water (※Non-shock)
- 连接方式\ End Connection: BS21 (ISO7)

### 材质 [Materials]

零件<Parts>	材质<Material>
阀体<Body>	黄铜<Brass>
阀杆<Stem>	黄铜<Brass>
阀板<Disc>	黄铜<Brass>



### 尺寸 [Dimensions]

(mm)

DN	mm	15	20	25	32	40	50
	inch	1/2	3/4	1	1.1/4	1.1/2	2
L		43	45	49	59	63	68
H		73	78	87	101	120	142
D		55	55	60	70	70	80

# PN25H PN25

## 青铜丝扣闸阀(暗杆式)

CAST BRONZE GATE VALVE(NON-RISING STEM), THREADED ENDS

### 【技术规格\ Technical Specifications】

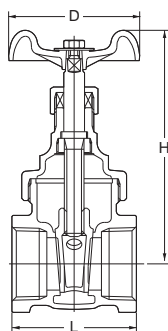
- 公称压力\ Nominal Pressure: 2.5MPa (25Bar)
- 工作温度\ Working Temperature: -10°C~100°C
- 工作介质\ Working Medium: 水\ Water (※Non-shock)
- 连接方式\ End Connection: BS21 (ISO7)

### 材质 [Materials]

零件<Parts>	材质<Material>
阀体<Body>	青铜<Bronze>
阀杆<Stem>	耐脱锌黄铜<Dezincification Resistant Brass>
阀板<Disc>	耐脱锌黄铜<Dezincification Resistant Brass> / 青铜<Bronze>

注: 如需对应于其它介质, 请联系KITZ。

Note: The other working medium, please contact KITZ.



### 尺寸 [Dimensions]

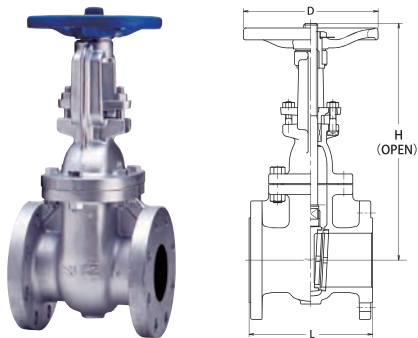
(mm)

DN	mm	15	20	25	32	40	50
	inch	1/2	3/4	1	1.1/4	1.1/2	2
L		45	50	57	61	67	74
H		80	90	105	118	135	159
D		50	55	60	70	80	90

## 125FCL / Class125 / PN16 125FCLS

### 铸铁法兰闸阀(明杆式)

CAST IRON GATE VALVE (RISING STEM), FLANGED ENDS



#### 【技术规格 \ Technical Specifications】

- 公称压力 \ Nominal Pressure: 1.6MPa (16Bar)
- 工作温度 \ Working Temperature: -10°C~120°C
- 工作介质 \ Working Medium: 水 \ Water (※Non-shock)
- 连接方式 \ End Connection: Class125

#### 材质 [Materials]

零件 <Parts>	125FCL	125FCLS
阀体 <Body>	铸铁 <Cast Iron>	铸铁 <Cast Iron>
阀杆 <Stem>	黄铜 <Brass>	不锈钢 <Stainless Steel>
阀板 <Disc>	铸铁 <Cast Iron>	铸铁 <Cast Iron>
阀座 <Seat>	青铜 <Bronze>	不锈钢 <Stainless Steel>

注Note: 1. 标准法兰为Class125, 如需PN16请联系KITZ  
The std. End is class 125, PN16 end available as an option  
2. 如需对应于其它介质, 请联系KITZ。  
The other working medium, please contact KITZ.

#### 尺寸 [Dimensions]

(mm)

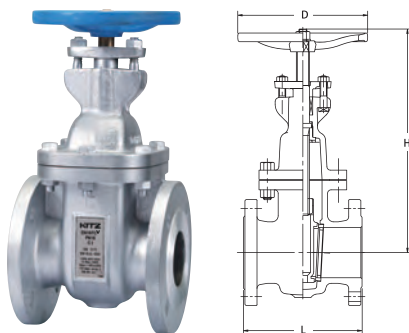
DN	mm	50	65	80	100	125	150	200	250	300	350
	inch	2	2.1/2	3	4	5	6	8	10	12	14
L		178	190	203	229	254	267	292	330	356	381
H(全开 Open)		328	382	436	532	627	726	919	1134	1363	1560
D		160	170	170	225	225	250	280	350	450	500

\*350mm为PN10 [350mm=PN10]

## EN16FCW / PN16 EN16FCWI

### 铸铁法兰闸阀(暗杆式)

CAST IRON GATE VALVE (NON-RISING STEM), FLANGED ENDS



EN16FCW: without position indicator

#### 【技术规格 \ Technical Specifications】

- 公称压力 \ Nominal Pressure: 1.6MPa (16Bar)
- 工作温度 \ Working Temperature: -10°C~120°C
- 工作介质 \ Working Medium: 水 \ Water (※Non-shock)
- 连接方式 \ End Connection: EN1092-2 PN16

#### 材质 [Materials]

零件 <Parts>	材质 <Material>
阀体 <Body>	铸铁 <Cast Iron>
阀杆 <Stem>	黄铜 <Brass>
阀板 <Disc>	铸铁 <Cast Iron>
阀座 <Seat>	青铜 <Bronze>

注Note: 1. EN16FCW: 不带开度指示器(Without position indicator)  
2. EN16FCWI: 带开度指示器(With position indicator)  
3. 如需对应于其它介质, 请联系KITZ。  
The other working medium, please contact KITZ.

#### 尺寸 [Dimensions]

(mm)

DN	mm	50	65	80	100	125	150	200	250	300
	inch	2	2.1/2	3	4	5	6	8	10	12
L		178	190	203	229	254	267	292	330	356
H (EN16FCW)		271	297	352	394	451	518	618	760	867
H (EN16FCWI)		313	344	401	444	517	577	693	814	925
D		180	180	200	250	280	300	350	400	450

# EN16FCWE PN16

## EN16FCWEI

### 铸铁法兰闸阀 (暗杆式)

CAST IRON GATE VALVE (NON-RISING STEM), FLANGED ENDS

#### 【技术规格 \ Technical Specifications】

- 公称压力 \ Nominal Pressure: 1.6MPa (16Bar)
- 工作温度 \ Working Temperature: -10°C~120°C
- 工作介质 \ Working Medium: 水 \ Water (※Non-shock)
- 连接方式 \ End Connection: EN1092-2 PN16

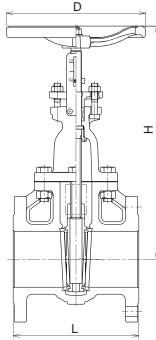
#### 材质 [Materials]

零件 <Parts>	材质 <Material>
阀体 <Body>	铸铁 <Cast Iron>
阀杆 <Stem>	黄铜 <Brass>
阀板 <Disc>	铸铁 <Cast Iron>
阀座 <Seat>	青铜 <Bronze>

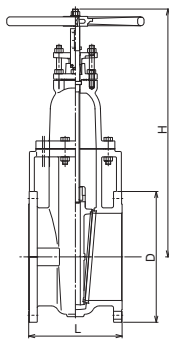
注Note: 1. EN16FCWE: 不带开度指示器 (Without position indicator)  
2. EN16FCWEI: 带开度指示器 (With position indicator)



EN16FCWEI: with position indicator



DN50-DN300



DN350-DN600

#### 尺寸 [Dimensions]

(mm)

DN	mm	50	65	80	100	125	150	200	250	300	350	400	450	500	600
	inch	2	2.1/2	3	4	5	6	8	10	12	14	16	18	20	24
L		178	190	203	229	254	267	292	330	356	381	406	432	457	508
H (EN16FCWE)		240	265	325	367	425	484	585	710	791	987	1044	1148	1257	1418
H (EN16FCWEI)		282	309	366	415	475	531	642	775	860	1011	1073	1199	1318	1489
D		180	180	200	254	254	300	300	350	400	560	560	610	610	765

# EN25FCLE PN25

### 铸铁法兰闸阀 (明杆式)

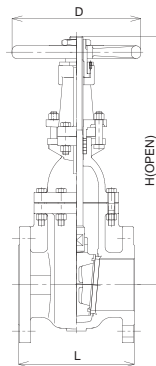
CAST IRON GATE VALVE (RISING STEM), FLANGED ENDS

#### 【技术规格 \ Technical Specifications】

- 公称压力 \ Nominal Pressure: 2.5MPa (25Bar)
- 工作温度 \ Working Temperature: -10°C~120°C
- 工作介质 \ Working Medium: 水 \ Water (※Non-shock)
- 连接方式 \ End Connection: EN1092-2 PN25

#### 材质 [Materials]

零件 <Parts>	材质 <Material>
阀体 <Body>	铸铁 <Cast Iron>
阀盖 <Bonnet>	铸铁 <Cast Iron>
阀杆 <Stem>	锻造黄铜 <Forged Brass>
阀板 <Disc>	铸铁 <Cast Iron>
阀体阀座 <Body Seat Ring>	青铜 <Bronze>
阀板阀座 <Disc Seat Ring>	青铜 <Bronze>



#### 尺寸 [Dimensions]

(mm)

DN	mm	50	65	80	100	125	150	200	250	300
	inch	2	2.1/2	3	4	5	6	8	10	12
L		215.9	241.3	282.5	304.8	381	403.2	419.1	457	502
H (全开 Open)		385	437	493	611	716	813	1024	1211	1386
D		175	200	254	300	300	348	400	457	457

Butterfly Valve  
Electric-Actuated Butterfly Valve  
Gate Valve  
Globe Valve  
Check Valve  
Ball Valve  
Strainer  
Valve For Fire Protection  
Exhaust Valve  
Hydraulic Control Valve  
Balancing Valve  
Supplement