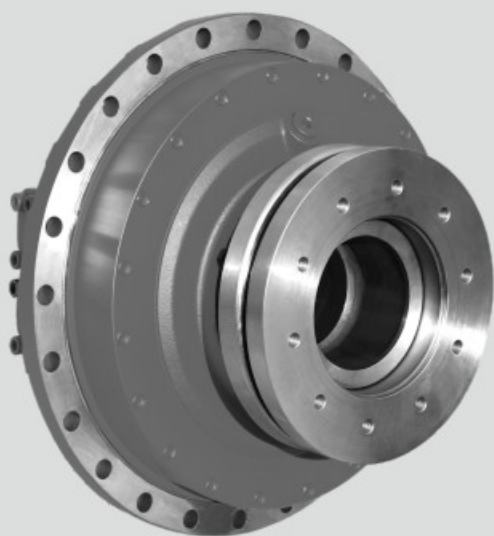


DCA液压马达

DCA hydraulic motors



1、产品特点/ Product Feature	113
2、产品标识说明/ Ordering Code	113
3、技术参数/ Technical Specification	114
4、安装联接尺寸/ Installation Dimensions	
DCA50 系列/ DCA50 Serie	115
DCA70 系列/ DCA70 Serie	117
DCA100 系列/ DCA100 Serie	119
DCA140 系列/ DCA140 Serie	121
DCA210 系列/ DCA210 Serie	123

产品特点 / Product Feature

DCA系列液压马达是我司针对高端市场所开发的新产品。此产品能在各种恶劣工况下稳定工作，能满足大多数场合下对液压马达的高工作压力、大扭矩输出及低速稳定性等要求。在结构上，这款马达采用端面配流，径向柱塞内曲线形式，利用马达转子中空优势，能方便的根据用户要求配置制动器、测速器，及通过马达中孔的特殊设备，大大减小用户对工作主机结构设计的难度。

其主要特点如下：

- 抗冲击能力强，稳定性好；
- 可实现安全平稳的变量及停车制动；
- 能实现自由轮工况；
- 多种安装方式及中空轴设计；
- 大输出扭矩、宽转速范围，可直接替代高速马达加减速机装置，结构紧凑（体积小）；
- 具有良好的低速稳定性，能在很低的转速下平稳运转；
- 具有较高的机械效率和容积效率；
- 旋转方向可逆；
- 功率质量比高；
- 可靠性好，维修方便。

DCA series' inner curve piston hydraulic motor is what we design for high-end application. With advantage of hollow rotor, DCA motor can be mounted with brake, speed encoder, and some special equipments mounted through the center of motor, according to the user's requirements. It shows its striking features of high pressure endurance, stability at low speed, and high output torque in various inferior working conditions.

Main characteristics:

- Good anti-shock capability and stability;
- Stable speed switch; brake available;
- Enable free running working condition;
- Multi-mounting options; hollow shaft design;
- Large output torque; wide speed range; directly replace combined devices of high speed motor and gearbox; compact structure;
- Stable performance in low speed;
- Higher mechanical and volumetric efficiency;
- Reversible rotation;
- Higher power-mass ratio;
- Higher reliability; easy maintenance;

产品标识说明 / Ordering code

* * _ * * * _ * * * _ * _ * _ * _ *

1 2 3 4 5 6 7

- 1、DCA马达代号 Motor Model
- 2、型号 Type
- 3、单位扭矩 Specific Torque(Nm/bar)
- 4、安装形式 Mounting Alternatives, Shaft
 - 锁紧盘C Shrink Disc Couping
 - 内花键S Splines
 - 其它O Others
- 5、制动器和其他部件 Multi disc brake or tandem kit
 - 不带制动器或其它部件A Motor without brake or TA kit
 - 带制动器或其它部件B Motor prepared for brake or TA kit
- 6、单速O Single Speed Motor
 - 双速顺时针旋转R(从轴端看A口进油) Dual speed motor, rotation clockwise rotation(As view from shaft end and inlet to A port)
 - 双速逆时针旋转L(从轴端看A口进油) Dual speed motor, rotation counter clockwise(As view from shaft end and inlet to A port)
- 7、密封件 Type of Seal
 - 丁腈橡胶N Nitrile
 - 氟橡胶V Viton

技术参数 / Technical Specification

马达型号 TYPE	排量 Displacement	单位扭矩 Unit Torque	额定压力 Rated Pressure	最大压力 Max. Pressure	额定扭矩 Rated Torque	额定转速 Rated Speed	最大转速 Max. Speed	重量(花键) Weight (Spline)	重量(锁紧盘) Weight (Shrink Disc Coupling)
	ml/r	N.m/bar	bar	bar	N.m	r/min	r/min	Kg	Kg
DCA50-20	1,256	20	250	315	5,000	340	340	175	203
DCA50-25	1,570	25	250	315	6,250	298	340		
DCA50-32	2,010	32	250	315	8,000	238	340		
DCA50-40	2,512	40	250	315	10,000	196	298		
DCA50-50	3,140	50	250	315	12,500	170	238		
DCA70-40	2,512	40	250	315	10,000	230	340	205	232
DCA70-50	3,140	50	250	315	12,500	191	272		
DCA70-60	3,771	60	250	315	15,000	166	234		
DCA70-70	4,400	70	250	315	17,500	153	204		
DCA100-40	2,512	40	250	315	10,000	332	340	265	310
DCA100-50	3,140	50	250	315	12,500	272	340		
DCA100-64	4,020	64	250	315	16,000	221	332		
DCA100-80	5,024	80	250	315	20,000	187	264		
DCA100-100	6,280	100	250	315	25,000	162	230		
DCA140-80	5,024	80	250	315	20,000	208	289	305	347
DCA140-100	6,280	100	250	315	25,000	174	234		
DCA140-120	7,543	120	250	315	30,000	153	208		
DCA140-140	8,800	140	250	315	35,000	145	187		
DCA210-160	10,051	160	250	315	40,000	89	128	395	456
DCA210-180	11,314	180	250	315	45,000	85	115		
DCA210-210	13,200	210	250	315	52,500	72	98		



NIM

DGM

CJM

DHMB

DHMC

DCA

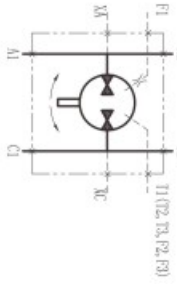
DCB

DMS

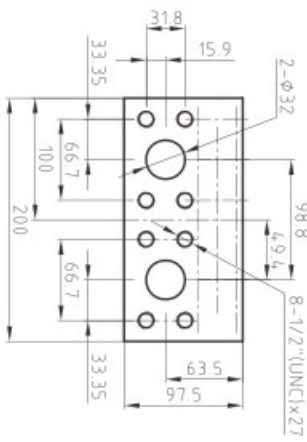
DA6V

DA2F

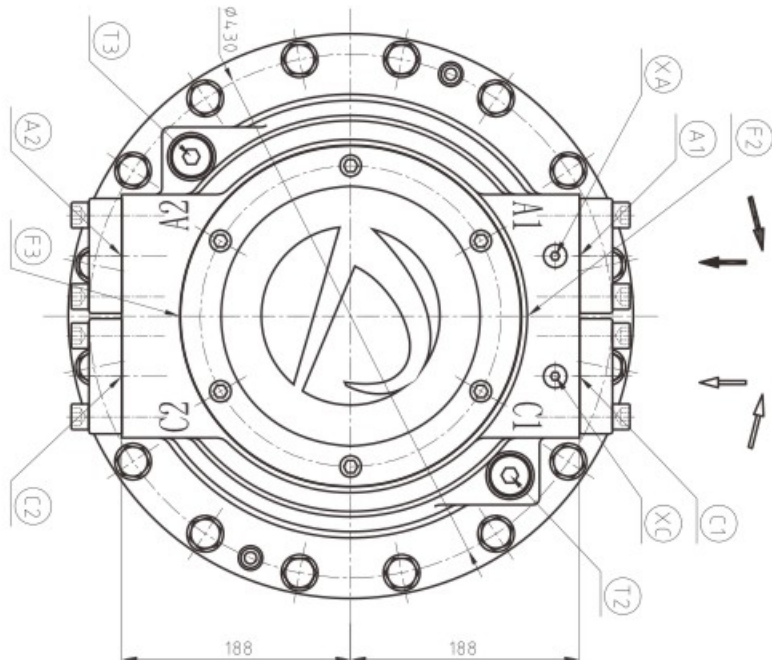
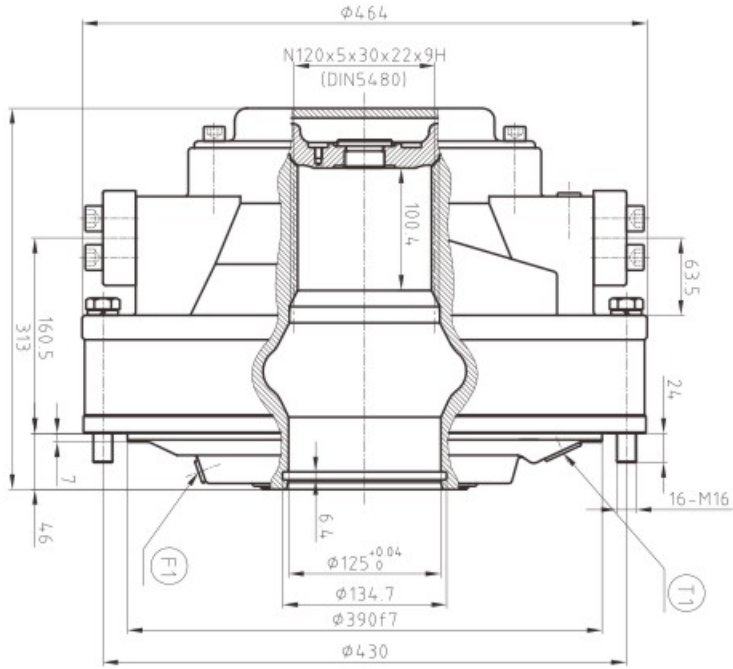
DCA50 外形及安装尺寸/ DCA50 Installation Dimensions



液压原理图/Hydraulic Schematic



A,C油口/Conn.A,C



油口尺寸/Connection

主油口A Main Conn. A	主油口C Main Conn. C	泄油口 Drain Conn.	冲洗油口 Flushing Conn.	测试口 Test Conn.
A1 A2	C1 C2	T1 T2 T3	F1 F2 F3	XA XC
SAE 1 1/4"		BSP3/4"		BSP1/4"

NIM

DGM

QJM

DHMB

DHMC

DCA

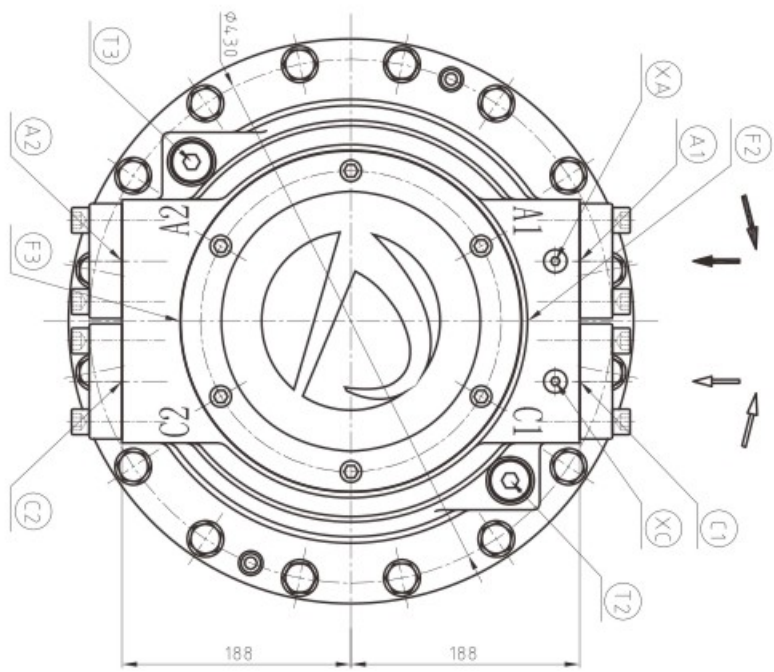
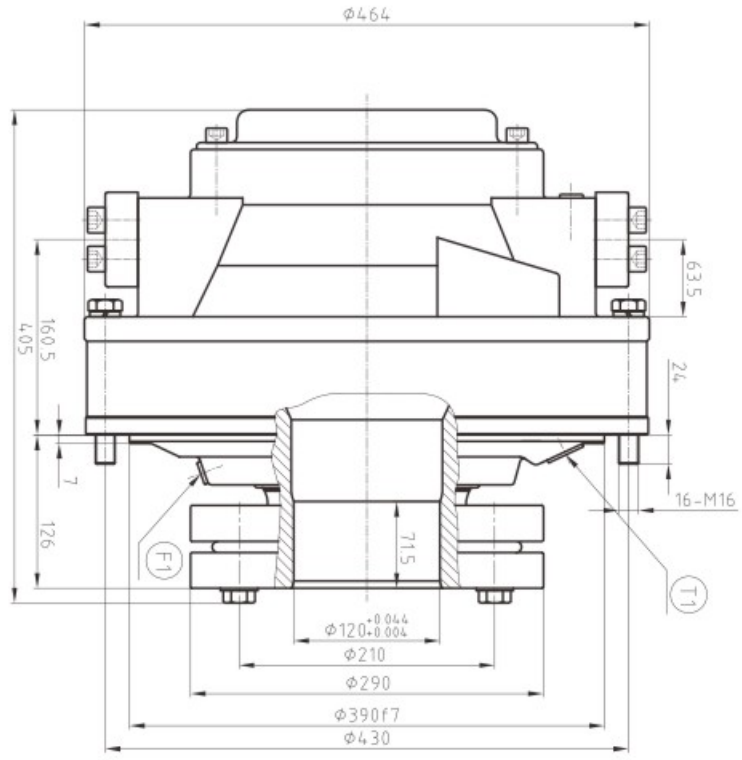
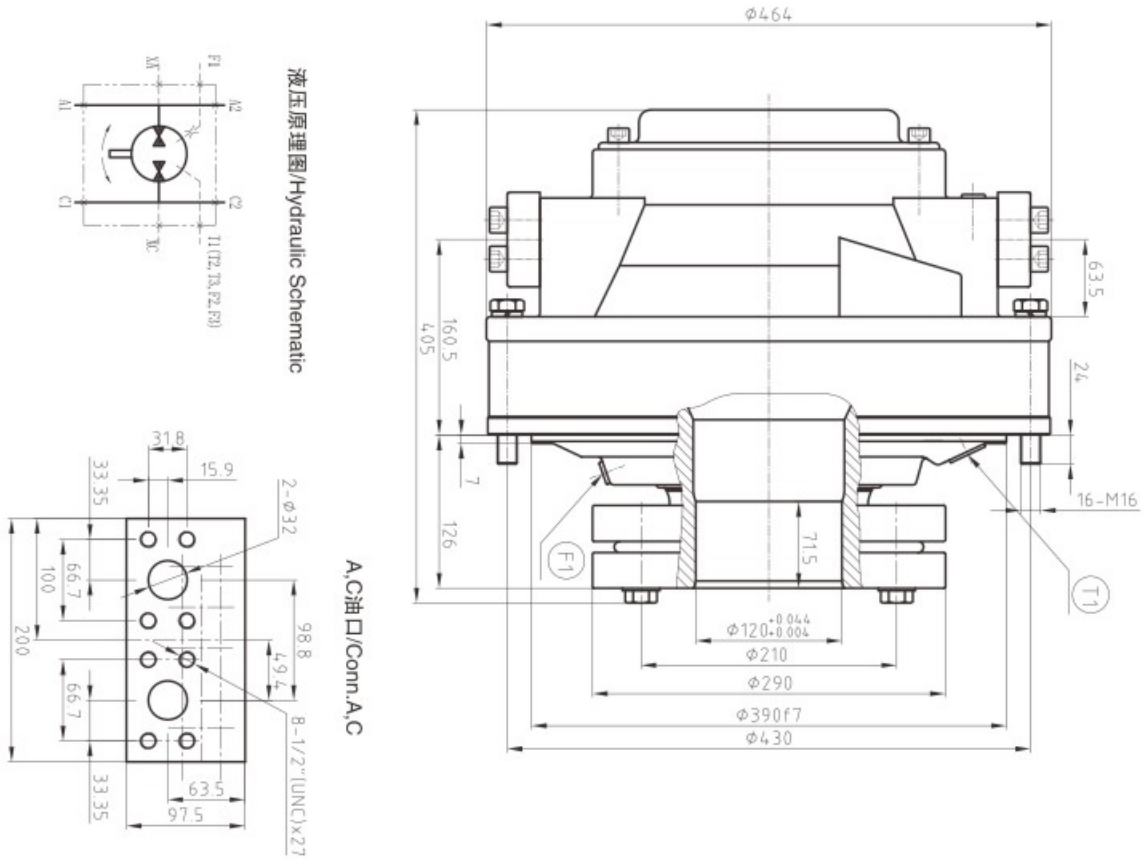
DCB

DMS

DA6V

DA2F

DCA50 外形及安装尺寸/ DCA50 Installation Dimensions

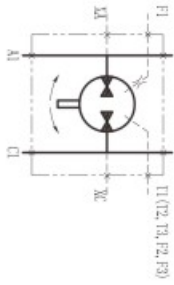


油口尺寸/Connection

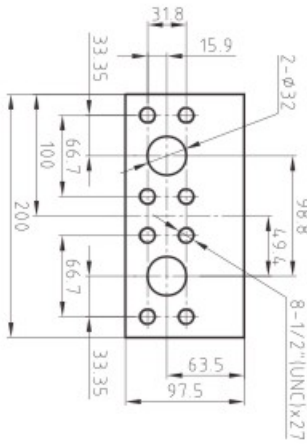
主油口A Main Conn. A	主油口C Main Conn. C	泄油口 Drain Conn.	冲洗油口 Flushing Conn.	测压口 Test Conn.
A1	C1	T1	F1	XA
A2	C2	T2	F2	XC
SAE 1 1/4"		T3	F3	
SAE 1 1/4"		BSP3/4"		BSP1/4"

- NIM
- DGM
- CJM
- DHMB
- DHMC
- DCA
- DCB
- DMS
- DA6V
- DA2F

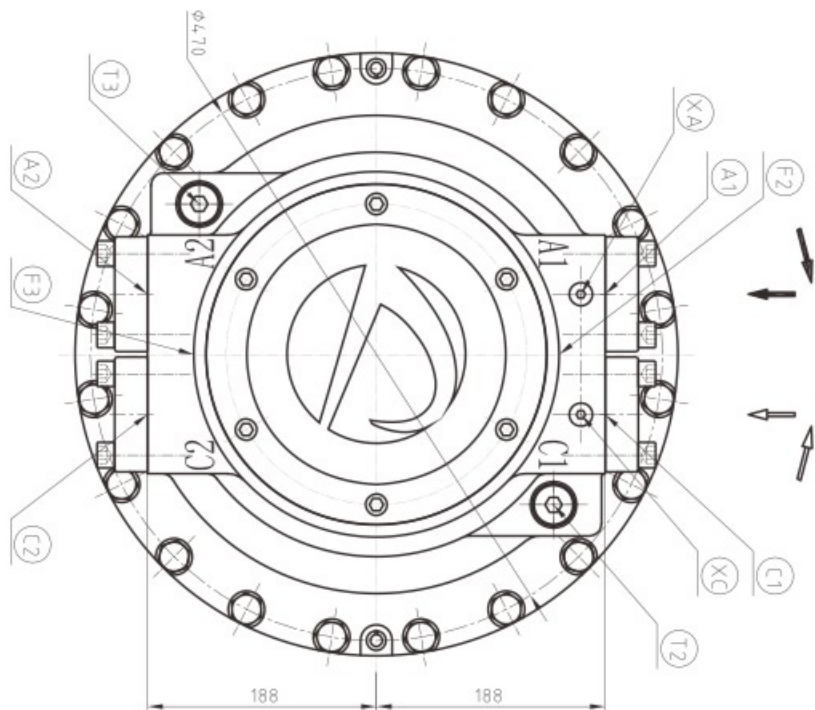
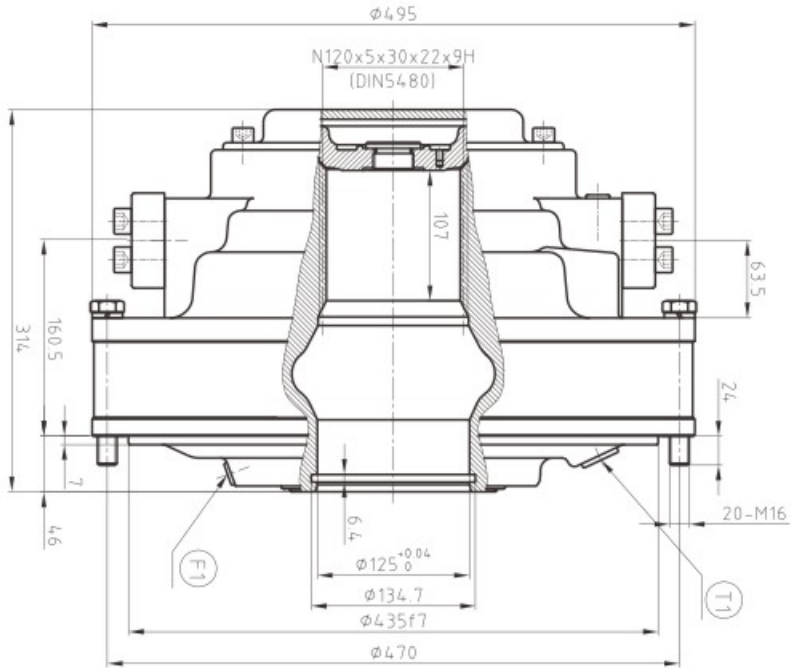
DCA70 外形及安装尺寸/ DCA70 Installation Dimensions



液压原理图/Hydraulic Schematic



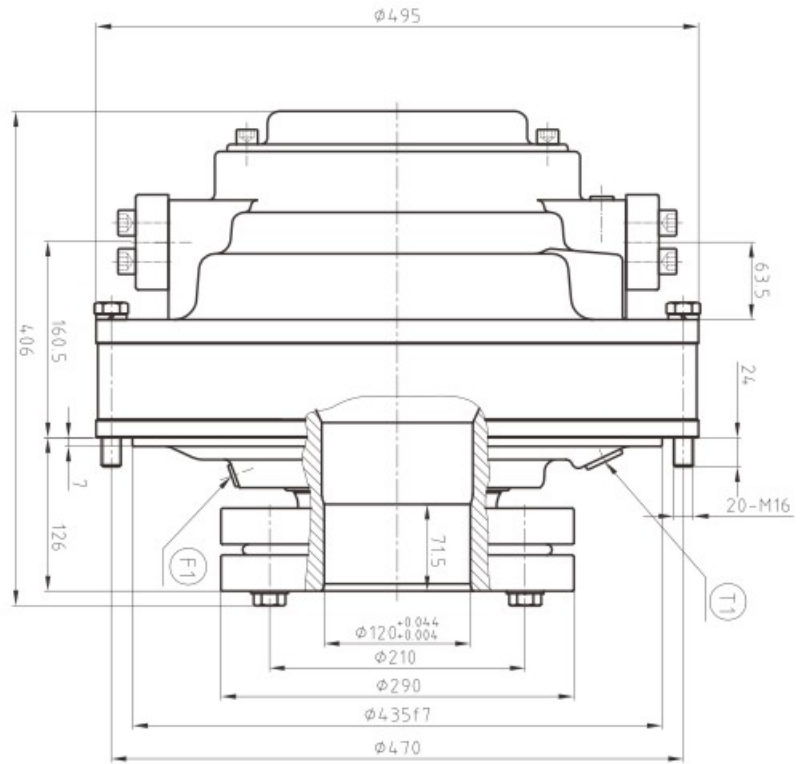
A.C.油口/Conn.A.C



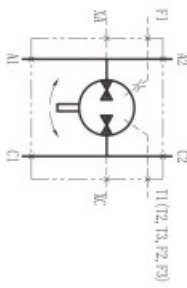
油口尺寸/Connection

主油口 A Main Conn. A	主油口 C Main Conn. C	泄油口 Drain Conn.	冲洗油口 Flushing Conn.	测压口 Test Conn.
A1	C1	T1	F1	XA
A2	C2	T2	F2	XC
SAE 1 1/4"	SAE 1 1/4"	BSP3/4"	BSP1/4"	BSP1/4"

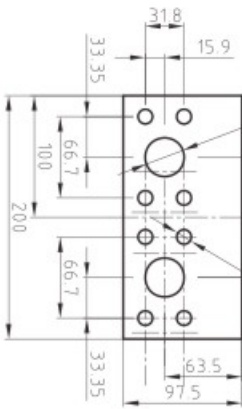
DCA70 外形及安装尺寸/ DCA70 Installation Dimensions



A,C油口/Conn.A,C

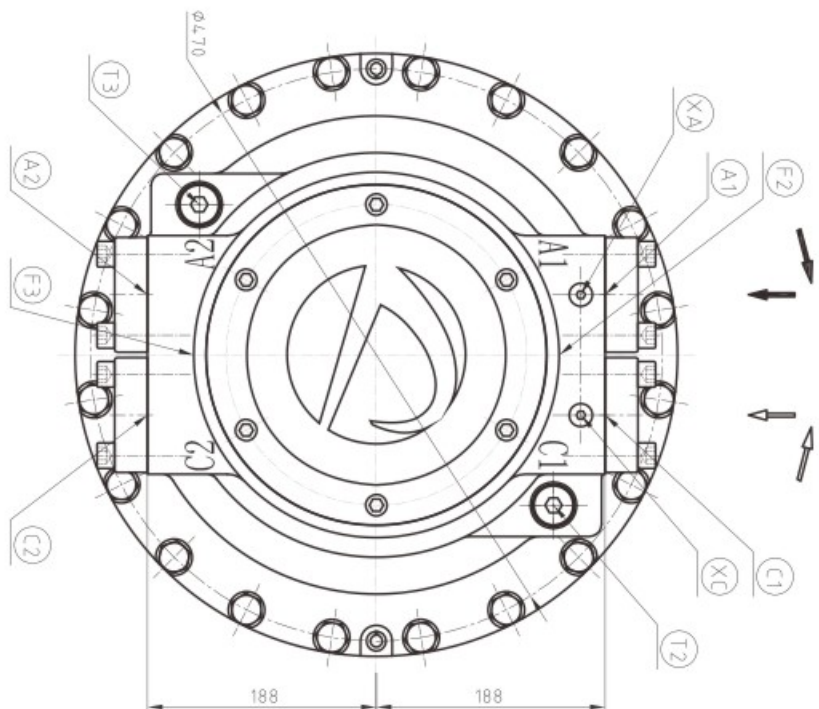


液压原理图/Hydraulic Schematic



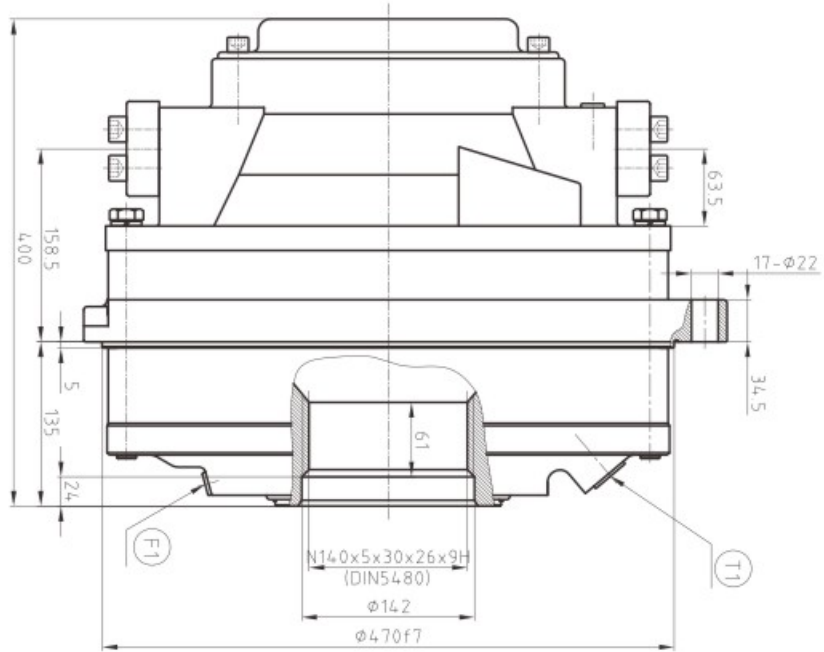
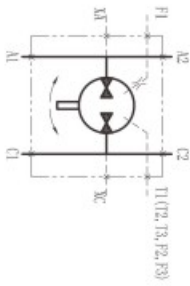
油口尺寸/Connection

主油口A Main Conn.A	主油口C Main Conn.C	泄油口 Drain Conn.	冲洗油口 Flushing Conn.	测压口 Test Conn.
A1	A2	T1	F1	XA
SAE 1 1/4"	SAE 1 1/4"	T2	F2	XC
		T3	F3	
				BSPP1/4"

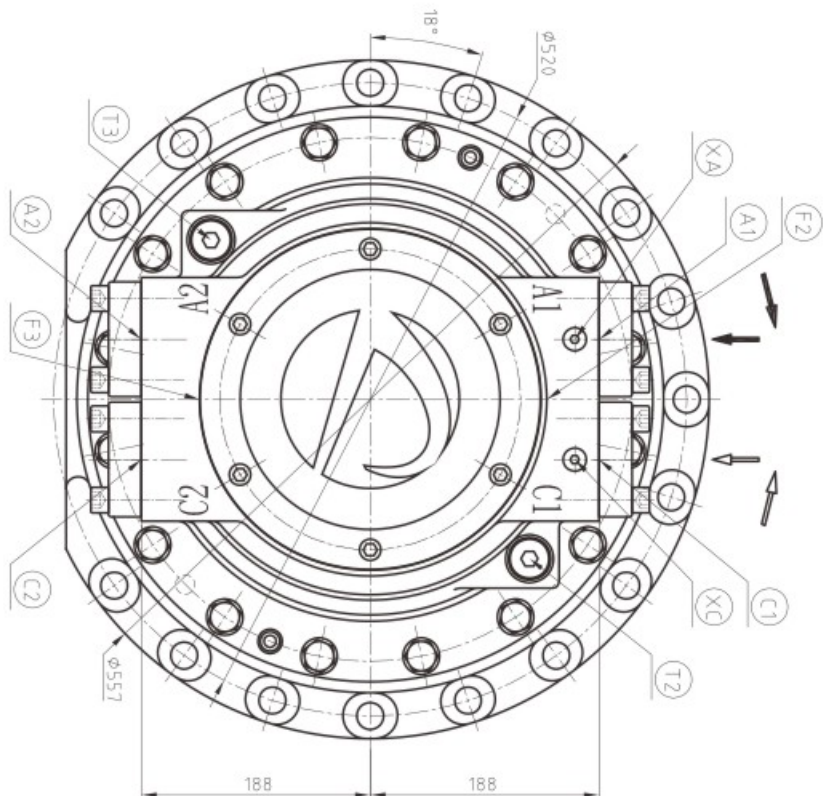
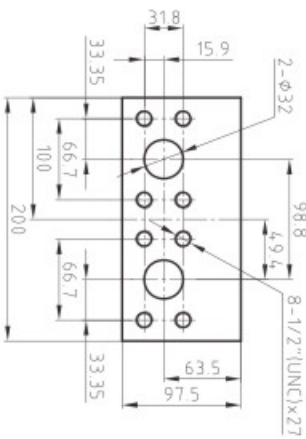


DCA100 外形及安装尺寸/ DCA100 Installation Dimensions

液压原理图/Hydraulic Schematic



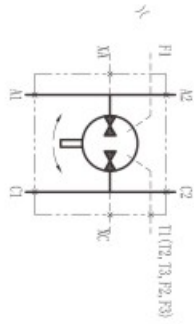
A,C接口/Conn.A,C



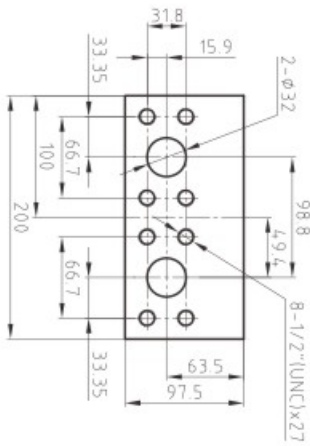
油口尺寸/Connection

主油口A Main Conn. A	主油口C Main Conn. C	泄油口 Drain Conn.	冲洗油口 Flushing Conn.	测压口 Test Conn.
A1	C1	T1	F1	XA
A2	C2	T2	F2	XC
SAE 1 1/4"	SAE 1 1/4"	T3	F3	
		BSP3/4"	BSP1/4"	BSP1/4"

DCA100 外形及安装尺寸/ DCA100 Installation Dimensions



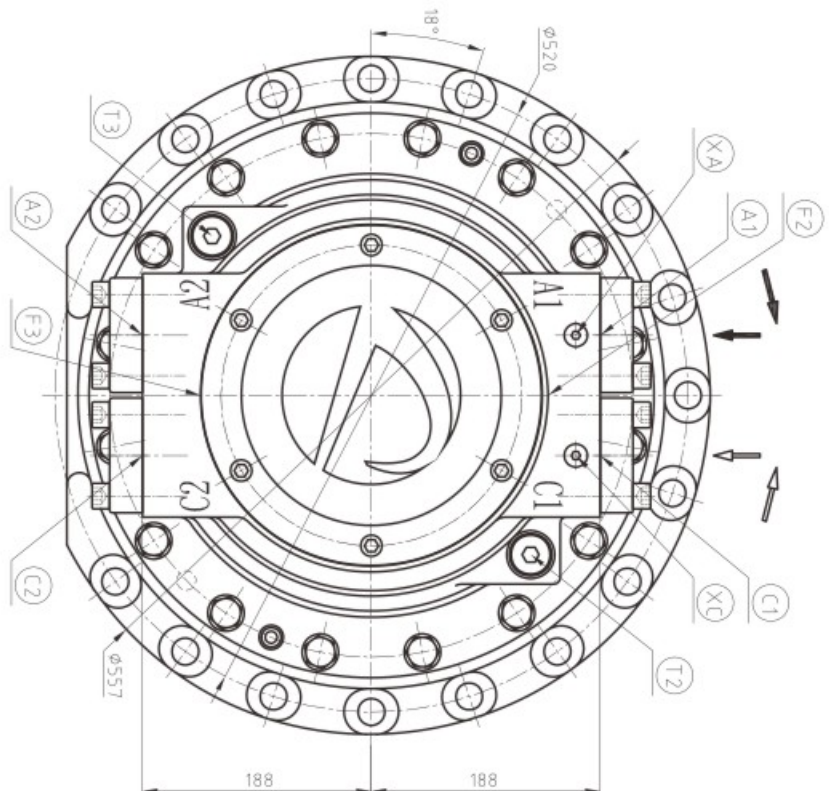
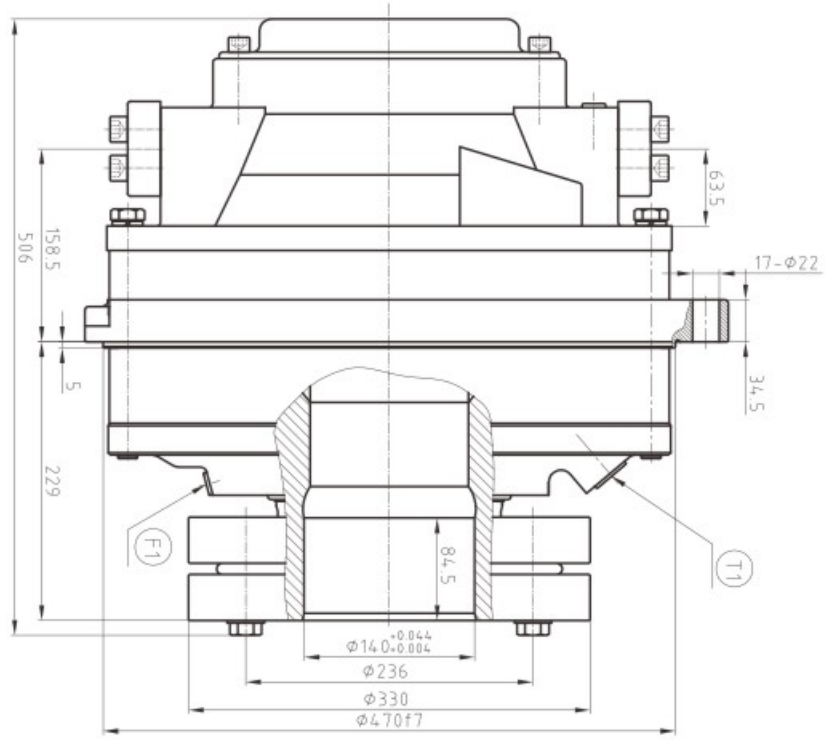
液壓原理圖/Hydraulic Schematic



A, C油口/Conn. A, C

油口尺寸/Connection

主油口 A Main Conn. A	主油口 C Main Conn. C	泄油口 Drain Conn.	冲洗油口 Flushing Conn.	测压口 Test Conn.
A1	C1	T1	F1	XA
A2	C2	T2	F2	XC
SAE 1 1/4"	SAE 1 1/4"	T3	F3	XC
			BSP1/4"	
				BSP1/4"



NIM

DGM

CJM

DHMB

DHMC

DCA

DCB

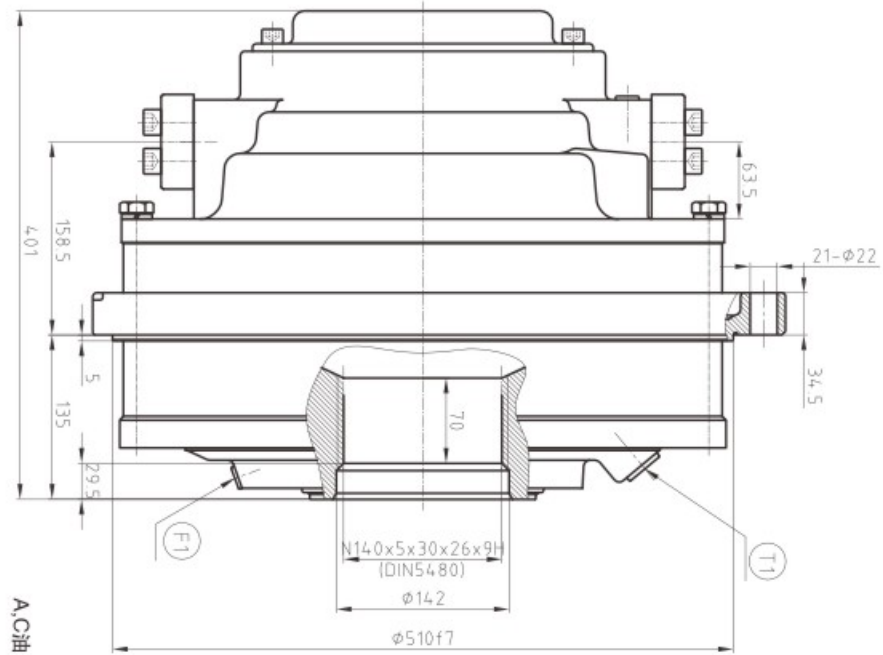
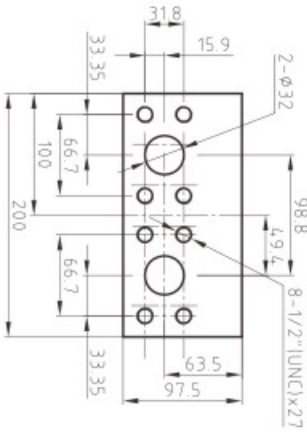
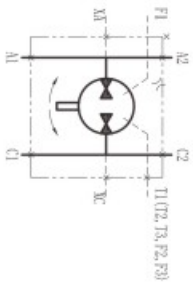
DMS

DA6V

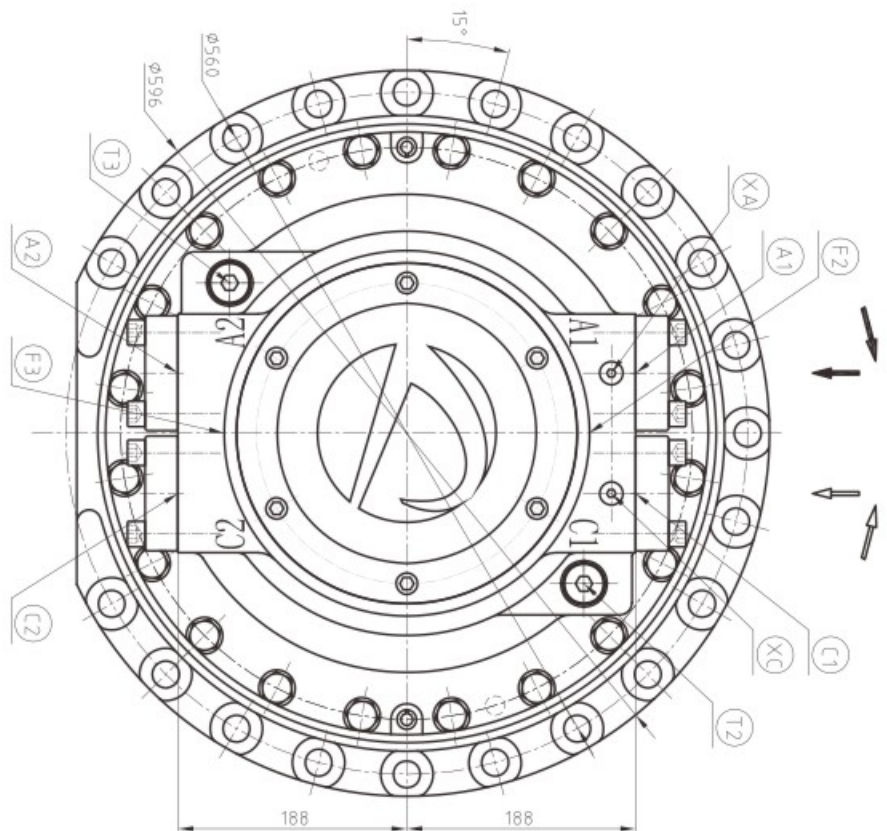
DA2F

DCA140 外形及安装尺寸/ DCA140 Installation Dimensions

液压原理图/Hydraulic Schematic



A,C接口/Conn.A,C



油口尺寸/Connection

主油口A Main Conn. A	主油口C Main Conn. C	泄油口 Drain Conn.	冲洗油口 Flushing Conn.	测压口 Test Conn.
A1 A2	C1 C2	T1 T2 T3	F1 F2 F3	XA XC
SAE 1 1/4" BSP3/4" BSP1/4" BSP1/4"				

NIM

DGM

QJM

DHMB

DHMC

DCA

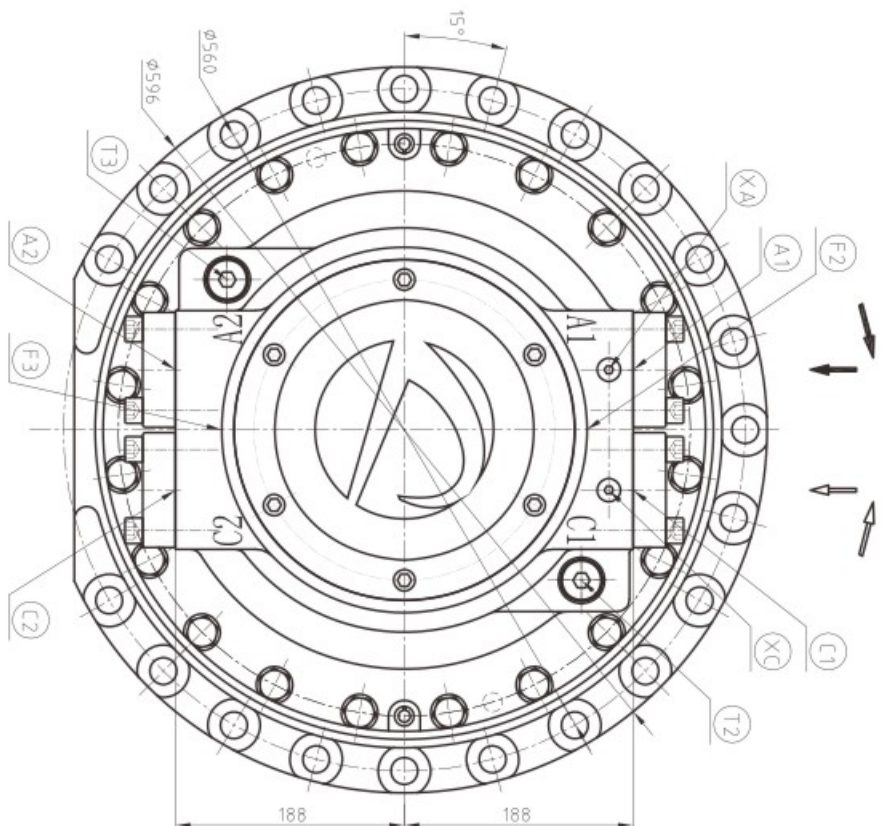
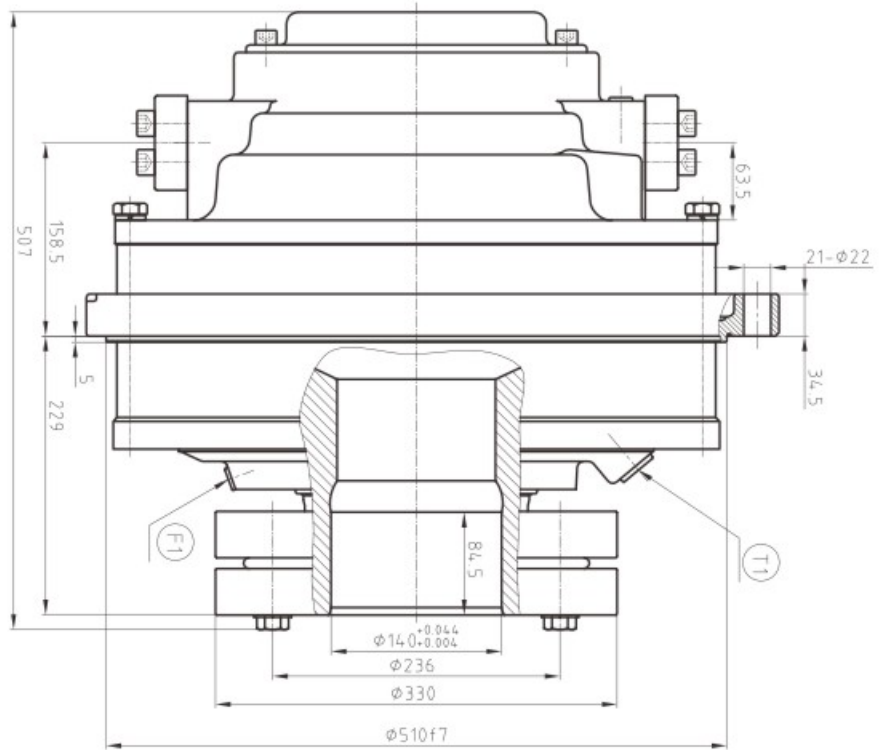
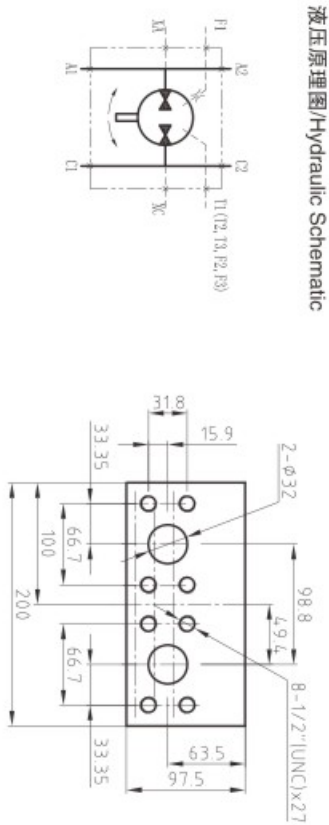
DCB

DMS

DA6V

DA2F

DCA140 外形及安装尺寸/ DCA140 Installation Dimensions



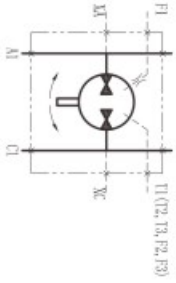
主油口A Main Conn. A	主油口C Main Conn. C	泄油口 Drain Conn.	冲洗油口 Flushing Conn.	测压口 Test Conn.
A1	A2	T1	F1	XA
A2	C2	T2	F2	XC
SAE 1 1/4"	SAE 1 1/4"	T3	F3	
			BSP1/4"	
				BSP1/4"

油口尺寸/Connection

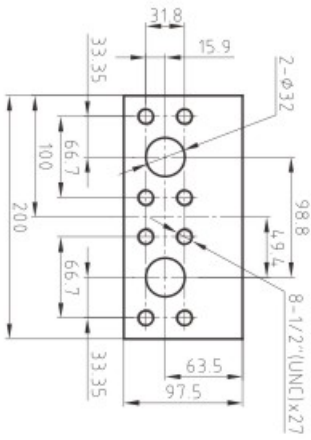
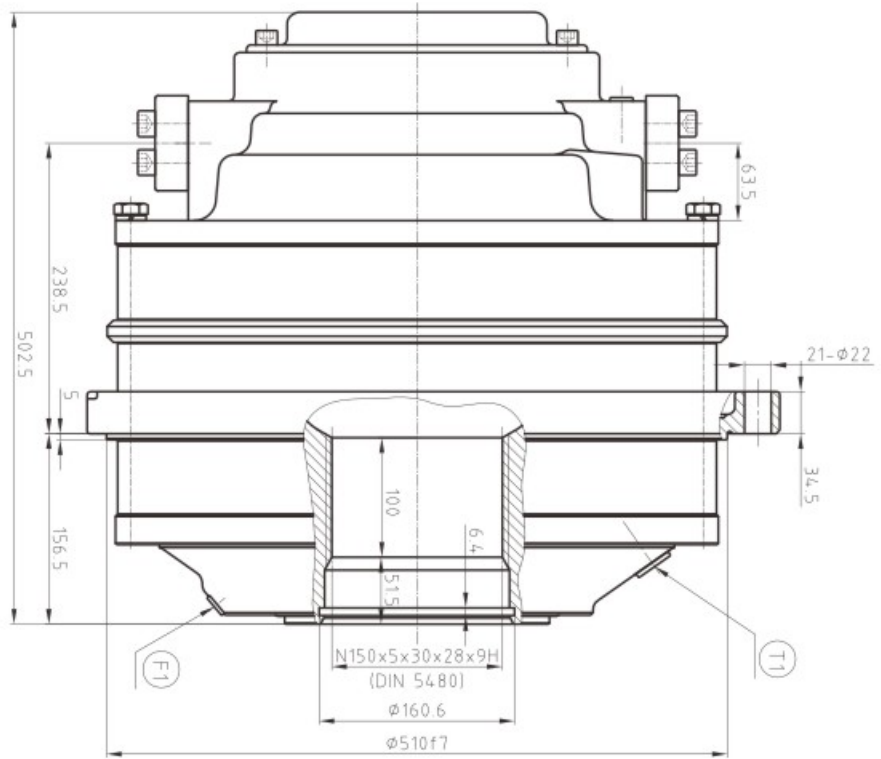
- NIM
- DGM
- CJM
- DHMB
- DHMC
- DCA
- DCB
- DMS
- DA6V
- DA2F

DCA210 外形及安装尺寸/ DCA210 Installation Dimensions

液压原理图/Hydraulic Schematic

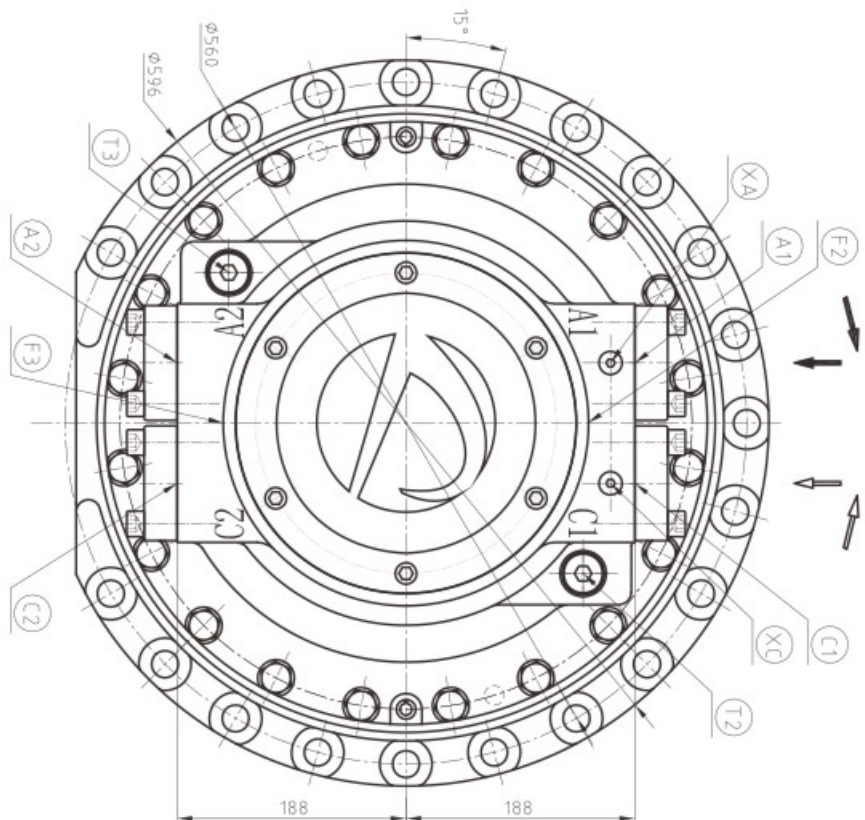


A,C 抽口/Conn.A,C



抽口尺寸/Connection

主油口 A Main Conn. A	主油口 C Main Conn. C	泄油口 Drain Conn.	冲洗油口 Flushing Conn.	测压口 Test Conn.
A1	C1	T1	F1	XA
A2	C2	T2	F2	XC
SAE 1 1/4"	SAE 1 1/4"	T3	F3	XC
		T3	F3	XC
				XC
				XC
				XC
				XC



NIM

DGM

QJM

DHMB

DHMC

DCA

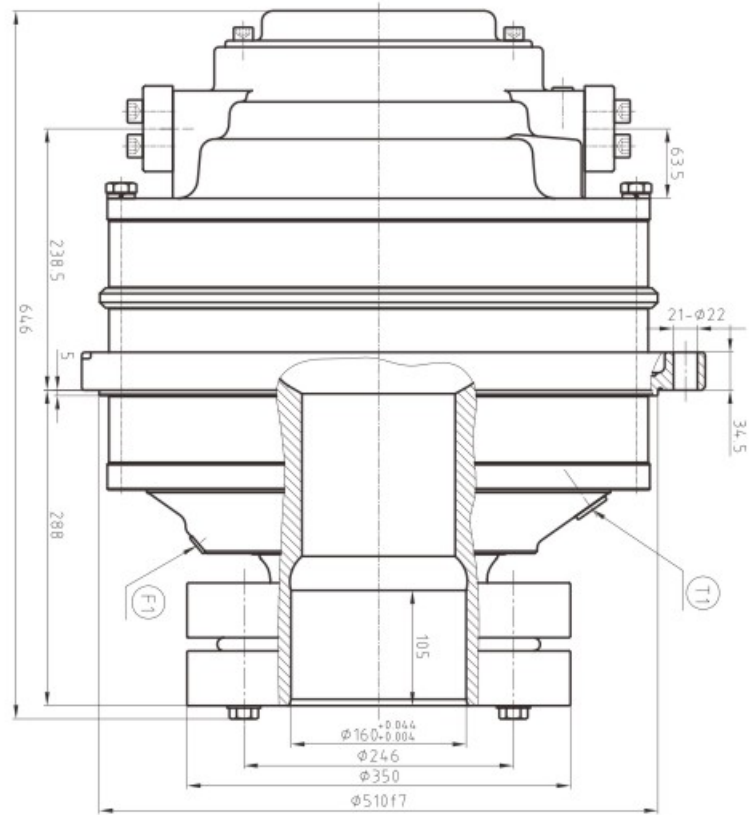
DCB

DMS

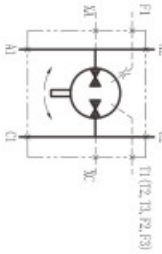
DA6V

DA2F

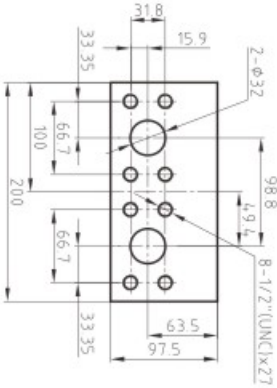
DCA210 外形及安装尺寸/ DCA210 Installation Dimensions



液压原理图/Hydraulic Schematic

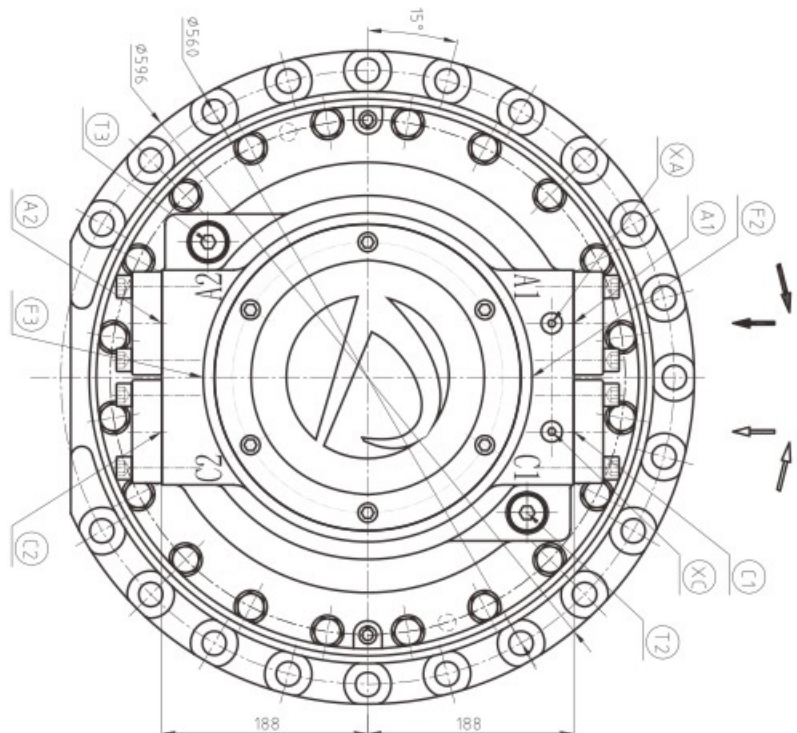


A, C油口/Conn. A, C

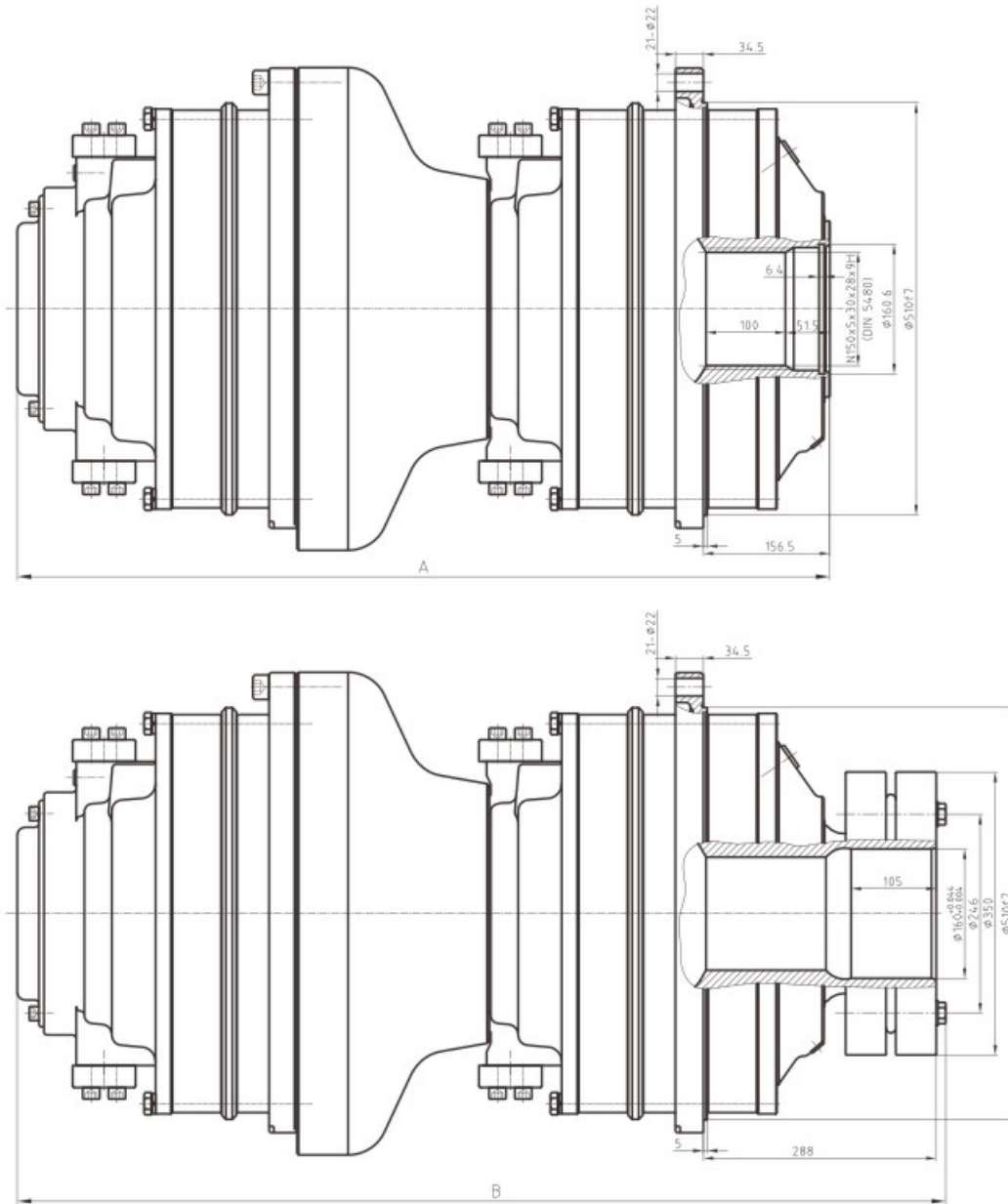


油口尺寸/Connection

主油口 A Main Conn. A	主油口 C Main Conn. C	泄油口 Drain Conn.	冲洗油口 Flushing Conn.	测压口 Test Conn.
A1	C1	T1	F1	XA
A2	C2	T2	F2	XC
SAE 1 1/4"	SAE 1 1/4"	BSP3/4"	BSP1/4"	BSP1/4"



DCA210 串联马达/ DCA210 Motor Connected in Series



马达型号 TYPE	最大压力 Max.Pressure	最大转速 Max.Speed	重量(花键) Weight(Spline)	重量(锁紧盘) Weight(shrink disc coupling)	尺寸A Size A	尺寸B Size B
	bar	r/min	Kg	Kg	mm	mm
DCA210+DCA50	240	98	619	680	826	969
DCA210+DC70	220		652	713	826	969
DCA210+DC100	200		768	829	924	1067
DCA210+DC140	180		808	869	924	1067
DCA210+DC210	160		898	959	1004	1147