

干式单板电磁制动器 CDG0S6AA/CDG1S5AA/CDG2S5AA/CDG005AA/CDG010AA/CDG020AA/CDG040AA

折叠机电磁制动器、拼板机电磁制动器、打包机电磁制动器、裱纸机电磁制动器、钉箱机电磁制动器、电磁制动器  
糊盒机电磁制动器、拉链机电磁制动器、月饼包陷机电磁制动器，用于定位、停止

新型号 CDG0S6AK/CDG1S5AF/CDG2S5AD/CDG005AD/CDG010AE/CDG020AC/CDG040AB

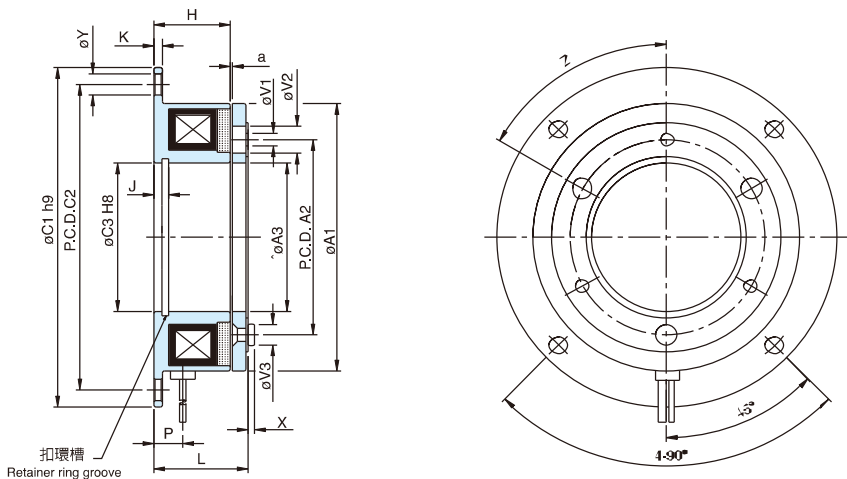
旧型号 CD-G-0.6/CD-G-1.5/CD-G-2.5/CD-G-5/CD-G-10/CD-G-20/CD-G-40

任岱总代理 13710967244 余彦泽 <http://www.chaintail.com.cn>

**CDG** Series

乾式單板電磁煞車器

Electromagnetic Power-Applied Friction Brake - Flange Mounted



型號 MODEL		CDG0S6AA	CDG1S5AA	CDG2S5AA	CDG005AA	CDG010AA	CDG020AA	CDG040AA	
靜摩擦轉距 Static Friction Torque	[kgm](Nm)	0.55 (5.5)	1.1 (11)	2.2 (22)	4.5 (45)	9 (90)	17.5 (175)	35 (350)	
動摩擦轉距 Dynamic Friction Torque	[kgm](Nm)	0.5 (5.0)	1.0 (10)	2.0 (20)	4.0 (40)	8 (80)	16 (160)	32 (320)	
功率 Power	[24V](W) at 20°C	11	15	20	25	35	45	60	
徑 方 向 Radius	A1	63	80	100	125	160	200	250	
	A2	46	60	76	95	120	158	210	
	A3	34.5	41.8	52	62	80	99.5	125	
	C1	80	100	125	150	190	230	290	
	C2	72	90	112	137	175	215	270	
	C3	35	42	52	62	80	100	125	
	V1	3-3.1	3-4.1	3-5.1	3-6.1	3-8.1	3-10.2	4-12.2	
	V2	3-6.3	3-8	3-12	3-13	3-15	3-17.3	4-23	
	V3	3-6	3-6	3-7.5	3-9.8	3-13	3-18	4-20.8	
Y	5	6	7	7	9.5	9.5	11.5		
軸 方 向 Shaft	H	18	20	22	24	26	30	35	
	J	3.5	4.3	5	5.5	6	7	8	
	K	2	2.5	3	3.5	4	5	6	
	L	22.05	24.8	27.9	31.3	35.5	42.2	48.6	
	P	7.5	9.5	8.9	9	9.5	10.5	15.5	
	X	1.5	1.4	1.7	2	2.5	5.7	6.4	
	Z	6-60°							8-45°
	a	0.2 (±0.05)			0.3 (+0.05/-0.1)		0.5 (-0/-0.2)		
重量 Weight	(kg)	0.28	0.5	0.91	1.68	3.15	5.9	10.5	
保護素子 Protective device		470KD07	GD80KD10		GD80KD14				