

Control Valves

Series 800

Valve 2 way

BUROCCO

INDUSTRIAL VALVES srl



Technical data

Size (DN)	DN 15 — 100
Pressure rating	PN16, PN40
Connections	Flanges UNI/DIN PN16, PN40
Type sealing	Soft (Class VI), metallic (Class IV - V)
Characteristic	Equalpercentage (eqp%)
Action	Pneumatic with diaphragm (supply max 3 bar)
Temperature	-20 to +205 °C

Description

The control valves serie 800 have two way globe body with screwed single seat and lower bottom for inspection. The plug is guided in its upper part. They are particularly indicated for regulation in medium/light plants. All Burocco valves are delivered as tested units and ready for a long lasting, maintenance free operation.

Options

- ⇒ Characteristic linear
- ⇒ Metallic seal
- ⇒ Flanges drilling ANSI 150, (face to face) and rating UNI/DIN
- ⇒ Full stainless steel actuator for corrosive environment
- ⇒ 3-way (mixing or diverting) valves (see brochure 803)
- ⇒ Low Noise
- ⇒ Stroke limiter
- ⇒ Handwheel for emergency operation
- ⇒ Valve positioners
- ⇒ Limit switches
- ⇒ Position feedback
- ⇒ Airset
- ⇒ Electric linear actuators (230 V AC, 24 V AC/DC)

Flow rate coefficient (CV)

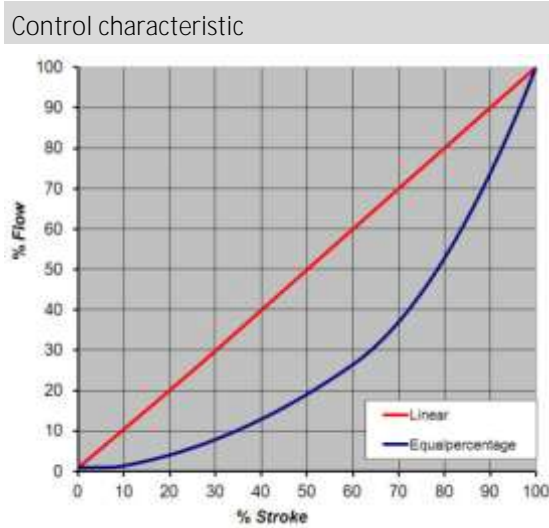
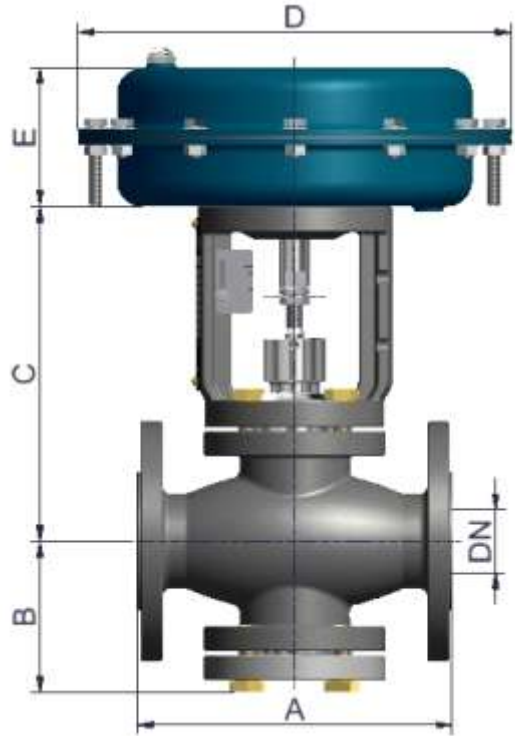
DN	CV					
	4	2,5 - 1,5	1 - 0,5	0,3 - 0,1	-	-
15	4	2,5 - 1,5	1 - 0,5	0,3 - 0,1	-	-
20	7	4	2,5 - 1,5	1 - 0,5	0,3 - 0,1	-
25	12	7	4	2,5 - 1,5	1 - 0,5	0,3 - 0,1
32	18	12	7	4	2,5 - 1,5	1 - 0,5
40	28	18	12	7	4	2,5 - 1,5
50	48	28	18	12	7	4
65	72	48	28	18	-	-
80	105	72	48	28	-	-
100	160	105	72	48	28	-

Control Valves
Series 800
Valve 2 way



BUROCCO INDUSTRIAL VALVES srl VIA NOVEVIS, 33 - 13867 PRAY (BI) - ITALY info@burocco.it - www.burocco.it Tel.: +39 015 76.72.78 - Fax: +39 015 76.71.36

Materials	
Valve body	Nodular cast iron GGG 40 (PN16) Carbon steel ASTM A216WCB Stainless steel ASTM CF8M
Trim (plug - seat)	316L / 17-4PH / 316L+Stellite / Hastelloy / Monel
Stem	316L / Hastelloy / Monel
Packing	PTFE, PTFE+'OR' FPM, special
Body gasket	FASIT 400, SIL C4500, PTFE, special
Acuator	FE (epoxy varnish), stainless steel
Yoke	GGG 40 (epoxy varnish), stainless steel



Dimensions (mm)					
DN	A	B	C	D	E
15	130	96	212	205 / 275	88 / 100
20	150	96	212	205 / 275	88 / 100
25	160	96	212	205 / 275	88 / 100
32	180	96	212	275 / 340	100 / 135
40	200	96	212	275 / 340	100 / 135
50	230	100	212	275 / 340 / 430	100 / 135 / 135
65	290	137	298	340 / 430	135
80	310	137	298	340 / 430	135
100	350	159	318	430	135

Indicative weight*									
DN	15	20	25	32	40	50	65	80	100
kg	14 / 17	15 / 18	16 / 19	22 / 29	23 / 30	29 / 35 / 41	53 / 59	57 / 63	78

* without positioner, airset or other accessories