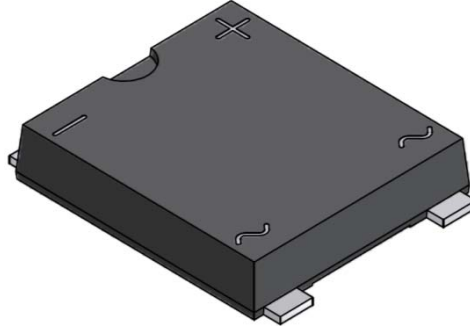


STSBF302T thru STSBF307T

Low Profile Surface Mount Single Phase Fast Recovery Bridge Rectifiers
 Reverse Voltage 100 to1000V Forward Current 3.0A

FEATURES

- * Fast switching
- * Low forward voltage drop
- * Low leakage current
- * Ideal for automated placement
- * Glass passivated Fast Recovery bridge rectifiers
- * Moisture sensitivity: level 1
- * Low profile, Typical Height 1.4mm
- * High temperature soldering guaranteed:
260°C/10 seconds
- * Weight: 0.195g



Typical Applications

For use of general purpose AC to DC bridge rectification in power supply, charger, office appliance, home appliance and telecom device

We declare that the material of product is Halogen free (green epoxy compound)

1. Maximum Ratings at 25°C unless otherwise noted

Parameter Symbol	symbol	STSBF302T	STSBF303T	STSBF304T	STSBF305T	STSBF306T	STSBF307T	Unit
device marking code		STSBF302T	STSBF303T	STSBF304T	STSBF305T	STSBF306T	STSBF307T	
Maximum repetitive peak reverse voltage	V_{RRM}	100	200	400	600	800	1000	V
Maximum RMS voltage	V_{RMS}	70	140	280	420	560	700	V
Maximum DC blocking voltage	V_{DC}	100	200	400	600	800	1000	V
Maximum average forward rectified current	$I_F(AV)$	3.0						A
Peak forward surge current 8.3ms single half sine-wave superimposed on rated load	I_{FSM}	110						A
Max reverse recovery time (Note 1)	T_{rr}	160						ns
Rating for fusing ($t < 8.3ms$)	I^2t	50						A ² sec
Typical thermal resistance (Note 2)	R θ JC	15						°C/W
	R θ JA	75						
Operating junction and storage temperature range	TJ, TSTG	-55 to +150						°C

Electrical Characteristics at 25°C unless otherwise noted

Parameter Symbol	symbol	STSBF302T	STSBF303T	STSBF304T	STSBF305T	STSBF306T	STSBF307T	Unit
Maximum Instantaneous Forward Voltage (IF = 1.5Amps, TJ = 25°C)	V_F	1.30						V
Maximum DC reverse current at rated DC blocking voltage TA= 25°C TA =125°C	IR	5						μA
		500						
Typical junction capacitance at 4.0V, 1MHz	CJ	32						PF

NOTES:

1. IF = 0.5A, IR = 1.0A, IRR = 0.25A
2. 16.0mm² (.013mm thick) land areas

STSBF302T thru STSBF307T

2. Ratings and Characteristic Curves (TA = 25°C unless otherwise noted)

Fig. 1 - Forward Current Derating Curve

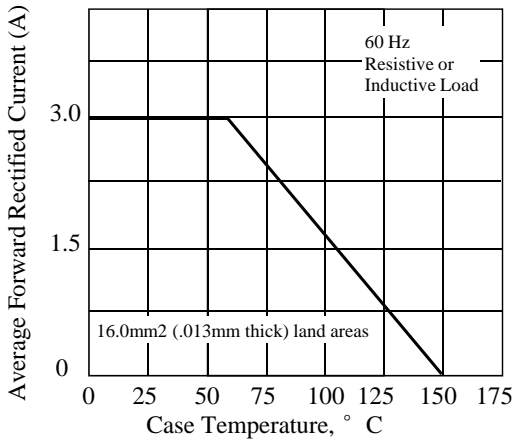


Fig. 2 - Maximum Non-repetitive Peak Forward Surge Current

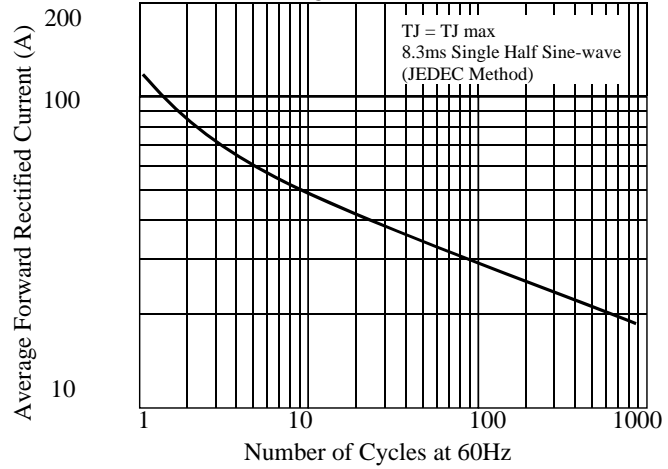


Fig 3. - Typical Instantaneous Forward Characteristics

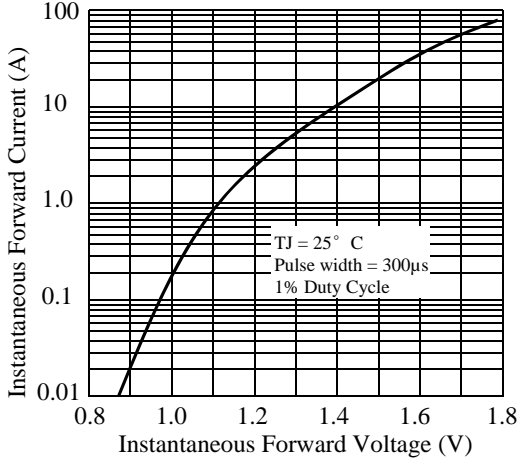


Fig 4. - Typical Reverse Characteristics

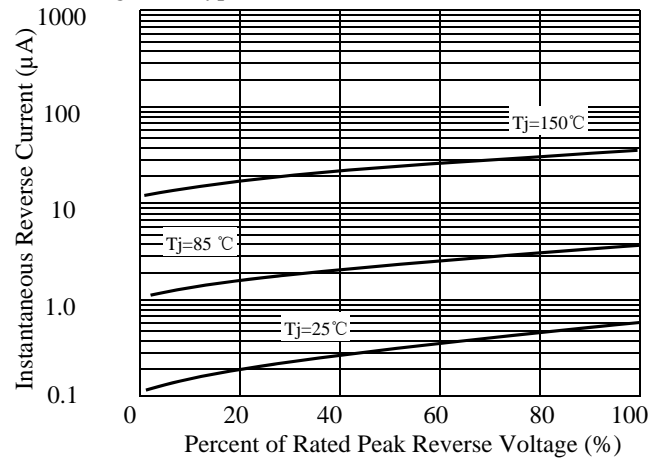


Fig 5. - typical transient thermal impedance

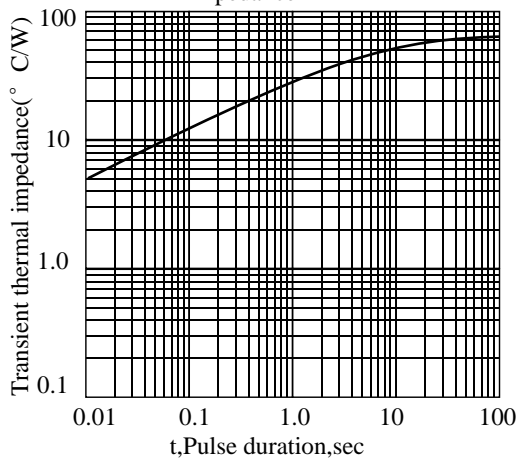
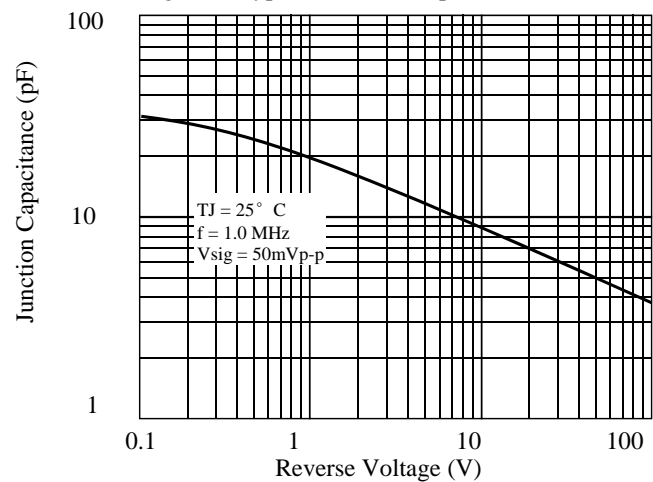


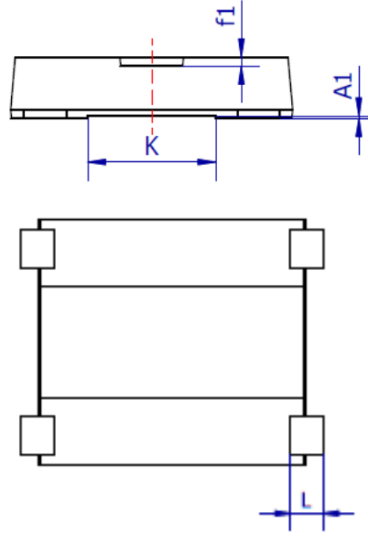
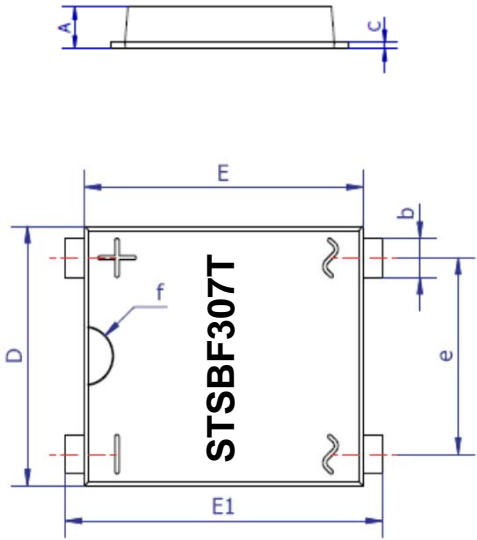
Fig 6. - Typical Junction Capacitance



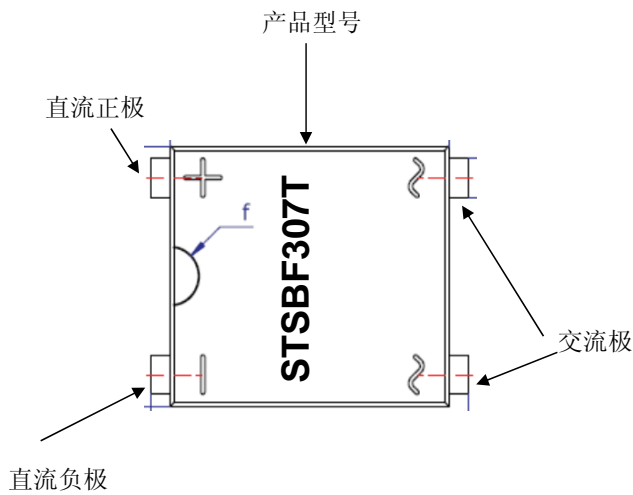
STSBF302T thru STSBF307T

3. dimension:

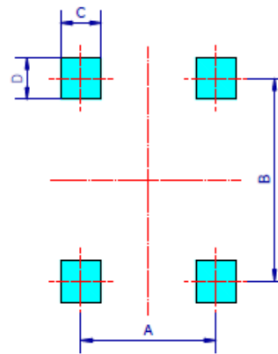
STSB



Dim	unit:mm	
	MIN	MAX
A	1.20	1.60
b	0.90	1.10
C	0.15	0.30
D	6.35	6.85
E	7.05	7.55
E1	8.05	8.55
e	4.75	5.30
f	TYP	R0.75
f1	TYP	0.2
A1	TYP	0.5
K	2.75	3.30
L	0.75	1.05



Mounting PAD layout



产品型号说明: ST--小型薄形管体; S---贴片;
B---桥; F---快恢复 30--IF=3.0A;7--VR=1000V;
T--Trr≤160ns

Dim	MIN	MAX
A	4.75	5.30
B	7.15	7.65
C	1.50	2.50
D	1.50	2.50

STSBF302T thru STSBF307T

4、版式次更新记录

版次	更新记录	更新作者	更新日期
1	第一版	谭志伟	2016.11.18