

Square Body – Flush End Contact

**1250V/1300V (IEC/U.L.) 50-1400A**



Electrical Characteristics						Ordering Information				
Size	Rated Current RMS-Amps	I <sup>2</sup> t (A <sup>2</sup> S)			Watts Loss	-BKN/75 Type K Indicator for Micro	-BKN/80 Type K Indicator for Micro	-BKN/90 Type K Indicator for Micro	-GKN/75 Type K Indicator for Micro	-GKN/90 Type K Indicator for Micro
		Pre-arc	Clearing at 1000V	Clearing at 1250V						
1*	50	135	815	1100	15	170M3388	170M3438		170M3488	
	63	215	1300	1750	20	170M3389	170M3439		170M3489	
	80	420	2500	3350	25	170M3390	170M3440		170M3490	
	100	750	4450	5950	30	170M3391	170M3441		170M3491	
	125	1450	9000	11500	35	170M3392	170M3442		170M3492	
	160	2600	16000	21000	40	170M3393	170M3443		170M3493	
	200	5150	31000	41000	45	170M3394	170M3444		170M3494	
	250	9200	54500	73000	55	170M3395	170M3445		170M3495	
	315	18500	115000	150000	60	170M3396	170M3446		170M3496	
	350	27000	165000	220000	65	170M3397	170M3447		170M3497	
	400	53000	265000	335000	70		170M3448			
1	160	1900	11500	15500	45	170M4388	170M4438		170M4488	
	200	3800	22500	30000	50	170M4389	170M4439		170M4489	
	250	7750	46000	61500	60	170M4390	170M4440		170M4490	
	315	15000	90000	120000	65	170M4391	170M4441		170M4491	
	350	20000	125000	165000	70	170M4392	170M4442		170M4492	
	400	29500	175000	235000	75	170M4393	170M4443		170M4493	
	450	42000	250000	335000	80	170M4394	170M4444		170M4494	
	500	69500	340000	435000	85	†170M4395	170M4445		†170M4495	
	550	95000	465000	590000	95	†170M4396	170M4446		†170M4496	
	630	130000	660000		100	†170M4397	†170M4447		†170M4497	
2	250	6500	38500	51500	65	170M5388	170M5438		170M5588	
	280	9350	55500	74500	70	170M5389	170M5439		170M5589	
	315	13000	77500	105000	75	170M5390	170M5440		170M5590	
	350	16500	97500	135000	80	170M5391	170M5441		170M5591	
	400	23000	140000	180000	85	170M5392	170M5442		170M5592	
	450	34000	205000	270000	90	170M5393	170M5443		170M5593	
	500	48000	285000	380000	95	170M5394	170M5444	170M5494	170M5594	170M5644
	550	62000	370000	495000	100	170M5395	170M5445	170M5495	170M5595	170M5645
	630	115000	575000	730000	110	†170M5396	170M5446	170M5496	†170M5596	170M5646
	700	160000	795000	1050000	115	†170M5397	†170M5447	170M5497	†170M5597	170M5647
	800	245000	1200000	1550000	120	†170M5398	†170M5448	170M5498	†170M5598	170M5648
	†900	360000	1750000		125			170M5499		170M5649
	†1000	480000	2350000		135			170M5500		170M5650
3	315	9500	58000	77500	85	170M6338	170M6538		170M6588	
	350	13500	81500	110000	90	170M6339	170M6539		170M6589	
	400	19500	120000	160000	95	170M6340	170M6540		170M6590	
	450	31000	185000	245000	100	170M6341	170M6541		170M6591	
	500	39000	235000	310000	105	170M6342	170M6542		170M6592	
	550	55000	325000	435000	110	170M6343	170M6543		170M6593	
	630	83500	495000	665000	115	170M6344	170M6544	170M6494	170M6594	170M6644
	700	115000	705000	940000	120	170M6345	170M6545	170M6495	170M6595	170M6645
	800	205000	995000	1300000	125	†170M6346	170M6546	170M6496	†170M6596	170M6646
	900	305000	1500000	1900000	130	†170M6347	†170M6547	170M6497	†170M6597	170M6647
	1000	450000	2150000	2750000	135	†170M6348	†170M6548	170M6498	†170M6598	170M6648
	1100	575000	2800000	3600000	140	†170M6349	†170M6549	170M6499	†170M6599	170M6649
	†1250	810000	3950000		145			170M6500		170M6650
†1400	1250000	6000000		150			170M6501		170M6651	

- Interrupting rating 100kA RMS Symmetrical. 1 kg = 2.2 lbs. 1 lb = 0.45 kg
- Watts loss provided at rated current.
- Rated voltage (IEC) †1100V †1000V (Consult Bussmann for U.L. Recognition status.)
- Individual Fuse Weight: Size 1\* = 0.380 kg  
Size 1 = 0.580 kg  
Size 2 = 0.900 kg  
Size 3 = 1.250 kg
- Microswitch indicator ordered separately.



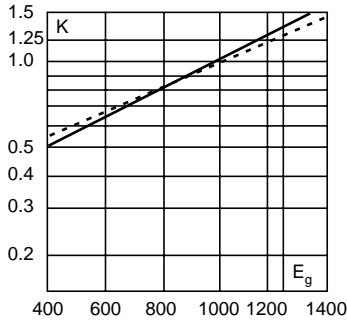
Square Body – Flush End Contact

# 1250V/1300V (IEC/U.L.) 50-1400A

## Electrical Characteristics

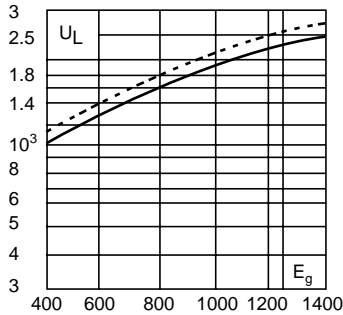
### Total Clearing I<sup>2</sup>t

The total clearing I<sup>2</sup>t at rated voltage and at power factor of 15% are given in the electrical characteristics. For other voltages, the clearing I<sup>2</sup>t is found by multiplying by correction factor, K, given as a function of applied working voltage, E<sub>g</sub>, (RMS).



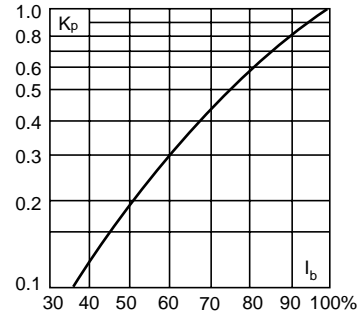
### Arc Voltage

This curve gives the peak arc voltage, U<sub>L</sub>, which may appear across the fuse during its operation as a function of the applied working voltage, E<sub>g</sub>, (RMS) at a power factor of 15%.



### Power Losses

Watts loss at rated current is given in the electrical characteristics. The curve allows the calculation of the power losses at load currents lower than the rated current. The correction factor, K<sub>p</sub>, is given as a function of the RMS load current, I<sub>b</sub>, in % of the rated current.

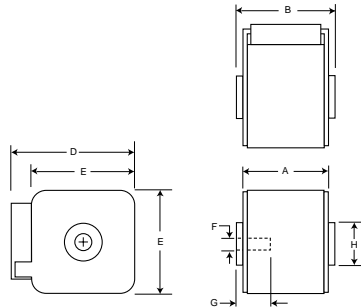


-----  
Dashed lines apply to the following amperages:

Size	1*	1	2	3
Amp	400	500-630	630-1000	800-1400

## Dimensions

Flush End Contact: Type -BKN/-, -GKN/-



Size	Type	A	B	D	E	F	F <sup>5</sup>	G	H
1*	BKN + GKN/75	74	75	59	45	M8	5/16" - 18 UNC-2B	5	Ø17
1*	BKN/80	80	81	59	45	M8		5	Ø17
1	BKN + GKN/75	74	75	69	53	M8	5/16" - 18 UNC-2B	8	Ø20
1	BKN/80	80	81	69	53	M8		8	Ø20
2	BKN + GKN/75	74	75	77	61	M10	3/8" - 16 UNC-2B	10	Ø24
2	BKN/80	80	81	77	61	M10		10	Ø24
2	BKN + GKN/90	80	91	77	61	M10	3/8" - 16 UNC-2B	10	Ø24
3	BKN + GKN/75	74	76	92	76	M12	1/2" - 13 UNC-2B	10	Ø30
3	BKN/80	81	83	92	76	M12		10	Ø30
3	BKN + GKN/90	81	91	92	76	M12	1/2" - 13 UNC-2B	10	Ø30

<sup>5</sup>Valid for fuses type -GKN/-  
Dimension in mm.  
1mm = 0.0394" 1" = 25.4mm

The only controlled copy of this BIF document is the electronic read-only version located on the Bussmann Network Drive. All other copies of this document are by definition uncontrolled. This bulletin is intended to clearly present comprehensive product data and provide technical information that will help the end user with design applications. Bussmann reserves the right, without notice, to change design or construction of any products and to discontinue or limit distribution of any products. Bussmann also reserves the right to change or update, without notice, any technical information contained in this bulletin. Once a product has been selected, it should be tested by the user in all possible applications.