

Technology improves life

技术改善生活

INDUCTION LIGHTING

无极灯

TOPBAND 拓邦

深圳拓邦股份有限公司
Shenzhen Topband Co., Ltd.

地址:深圳市宝安区石岩镇塘头大道拓邦工业园 邮编:518108
Address: Topband Industrial Park, Liyuan Industrial Zone,
Shiyan, Bao an, ShenZhen, China
Tel:0086-755-27651888 Ext:6087,8246,6177,6208
Fax:0086-755-27651053
Email: meInter@topband-e.com
Http://www.topband-lighting.com

The most cost-effective
lighting product at present

当前最具性价比的
照明产品

Topband induction lighting is another top product on the platform of Topband intellectual control. Over ten intellectual circuit protection mechanisms and the excellent ability of electromagnetic to anti-interference provide powerful support for the control system of Topband induction lighting. Long lifespan makes you really forget its existence once fitted. Topband induction lamps include street lighting series, factory and flood lighting series, and explosion-proof series etc. It also serves for the customized products.

Index 目录

- 01 **Company Profile**
公司简介
- 02 **Research and Development**
研究与发展
- 04 **Product Introduction**
无极灯介绍
- 06 **Catalog**
产品目录
- 07 **Lighting Sources**
光源
- 09 **Compact Induction-Lamp**
一体化无极灯
- 10 **Street Lighting(Low-frequency)**
道路照明 (低频)
- 12 **Street Lighting(High-frequency)**
道路照明 (高频)
- 14 **High-bay Lighting(Low-Frequency)**
厂矿照明 (低频)
- 17 **High-bay Lighting(High-Frequency)**
厂矿照明 (高频)
- 19 **Flood Lighting (High-frequency)**
广告照明 (高频)
- 20 **Tunnel Lighting(High-frequency)**
隧道照明 (高频)
- 21 **Flood Lighting(Low-Frequency)**
广告照明 (低频)
- 22 **Tunnel Lighting(Low-Frequency)**
隧道照明 (低频)
- 23 **Ceiling Lighting(Low-Frequency)**
吸顶灯 (低频)
- 24 **Cases**
案例分析



Shenzhen Topband Co.,Ltd, founded In China Silicon Valley-She technology office bureau. In 2005, it is granted as China's Top 50 hig

Continually invest in new technology, equipment and leading-ed Protection Energy-Saving product have been a success, which mar Innovation, technological innovation and value innovation so as to development, and exchange and cooperate with colleges and unive Stand upon China, and look over the world. Topband has received cu

深圳拓邦股份有限公司1995年成立于有中国科技“硅谷”之誉科技、高成长50强企业。2007年被深圳市人民政府认定为深圳市

拓邦股份成立后积极拓展相关领域业务，公司自主知识产权市场，标志着拓邦股份迈开了全面进入环保照明行业领域的步伐。并与清华、哈工大等高校的交流与合作，为客户提供一流产品及一

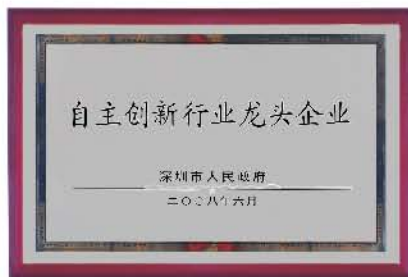




Shenzhen HI-tech Industrial Park in 1996. Topband is specialized in intellectual control field, and valued as a hi-tech listed company by Shenzhen science and technology and high growth enterprises. In 2007, Topband Company stock market successfully. Stock code: 002139. Topband provides a large service, Topband Induction Lamp series, including Street lamp, Factory lamp, Explosion-proof lamp, as the fourth generation Green Environment-friendly products. Topband stepping into a brand-new lighting area. Technology-based, and energy-saving as the focus, Topband pays much attention to the product to keep pace with the global ongoing trend of lighting electrical appliances. Meanwhile, we make full use of our own advantages in research and development facilities, such as Tsinghua University, Harbin Industrial University enthusiastically to provide first-class products and service for our dear customers. Topband has customers in Asia, Middle-east, Europe, Australia, Africa, South and North America and so on.

拓邦股份的深圳高新技术产业园，是一家专注于智能控制领域的高新技术企业，被深圳市科技局认定为高科技民营上市企业。2005年被德勤评为中国高科技民营领军骨干企业。2007年6月在深交所挂牌上市，股票代码：002139。简称拓邦股份。

拓邦股份研发的第四代绿色节能环保光源—电磁感应荧光灯。道路照明，工矿照明，防爆照明，隧道照明，投射照明无极灯等系列产品批量生产进入市场。拓邦股份以科技为依托，以环保节能为重点，注重产品创新、技术创新、价值创新，紧跟世界照明电器发展潮流，利用自身研发优势，积极开展售后服务。



R&D Direction-

Energy Conservation.

Environment Protection.

Humanization.

研发方向--节能, 环保, 人性化



After more than one decade development, Topband has accumulated abundant experience and capability on industrialization. The advanced inspection apparatus can assure new product input smoothly. Standardization and specialization process flow and highly modern facilities and advanced inspection apparatus in accordance with RoHS make sure large-scale production. We have got approval of certification of ISO9001:2000, ISO14001:2004, OHSAS18001: 2001, QC 080000 and C-TPAT. Integrated quality assurance system attracts more and more trustfulness from customers inland and overseas.

拓邦经过十多年的发展，积累了丰富的产品商业化的经验和能力，公司先进的测试实验设备保障新产品能够顺利导入；标准化，专业化的工艺体系和先进的符合ROHS标准的生产，检验设备，保证了产品的规模化生产，公司先后通过ISO9001:2000, ISO14001:2004, OHSAS18001:2001, Qc080000及C-TPAT(反恐安全管理体系)的认证，完善的质量保障体系赢得了越来越多海内外客户的信赖。





Topband is a HI-tech enterprise based on Innovation. We founded an R&D center on fundamental technology and several project development centers. Moreover, Topband sets up a close relationship on Industry- University-Institutue Unfication with Tsinghua University and Harbin Institute of Technology, both of which are well-known and professional in the field of the relevant electronic controller.

Topband invests much in founding several laboratories, including optical characteristic test laboratory, noise and vibration laboratory, EMC laboratory and type approval laboratory etc.. And the products have got approval of UL, CE, VDE, CCC etc..

拓邦是一家注重创新的高新技术企业，公司设有专门的基础技术研发中心和多个项目开发中心，此外，公司还与国内外控制领域科研能力最强的清华大学和哈尔滨工业大学建立了紧密的产学研关系。

公司投资组建了多个实验室，包括：光学特性测试实验室，噪音测试室，电磁兼容实验室，型式实验室等，产品已通过UL,CE,VDE,CCC等标准认证。

Working principle 无极灯工作原理

The power coupler is built inside the bulb, connecting the high-frequency generator through feeder line. The coupler induces and couples high-frequency electromagnetic energy created by generator into bulb, which makes the air inside the bulb cumulatively ionized into plasma. Excited atom of the plasma while returning to ground state will spontaneously radiate ultraviolet light that will invigorate the phosphor powder on inner wall of the bulb to give off visible light.

通过高频发生器与耦合器产生高频感应电磁场，激发泡体内的惰性气体（氙气与氩气），形成雪崩电离形式的等离子体，等离子体受激原子返回基态时辐射出254nm的紫外线，紫外线激发灯泡内壁的荧光发粉而发出可见光。

Technical Parameter 无极灯技术参数

- Voltage Range
工作电压范围：90V~160V/170V~265V
- Operation Environment
工作环境温度：-30℃-100℃
- Working Frequency
工作频率：2.65MHz/230KHz/130KHz
- Startup Time
启动时间：<0.5S

Widely Application 无极灯应用场所

Factory/Street/Business/Gymnasium/Hotel/Garden/Library/Greenhouse/Bridge/Tunnel/Hospital/School and public place

厂房照明/道路照明/商业照明/体育场馆照明/酒店大会堂照明/景观绿化照明/图书馆/温室大棚/桥梁/隧道照明/医院/学校/公共场所照明/市内照明/

Business Lighting
商业照明



Gymnasium Lighting
场馆照明



Billboard Lighting
广告照明



Tunnel Lighting
隧道照明



Street Lighting
道路照明



Technical advantage 无极灯技术优势

1.High efficiency illumination

With wide Selection of Color Temperature:2700K-6500K that extremely close to natural light. High Color Rendering Index:Ra \geq 80, High frequency with Flick free that creates a better and more comfortable light for users and prevents eye injury when viewed directly.

2.Long Service Life and easily maintaining

No filament and electrode in the bulb. Service life of the bulb depends on natural attenuation of phosphor powder. It has the longest service life among all light sources. The service life is up to 60,000 hours.

3.Energy-saving

High luminous efficiency and excellent energy saving. Save more than 50% energy than High pressure sodium lamp and

1、照明质量高

无极灯の色温范围宽2700K~6500k,非常接近自然光显色性高,显色指数高达80,使被照物体呈现自然颜色工作频率2.65MHz/230KHz/130KHz,光线无闪烁现象,长时间操作人眼不会疲劳

2、寿命长,维护简单

灯泡内没有灯丝和电极,寿命高达60,000小时以上拓邦无极灯按60,000小时以上寿命设计

3、高效节能

较高压钠灯节能50%以上
较白炽灯节能90%以上

Compact Induction Lamp
一体化无极灯



High-bay Lamp
工矿灯



Flood Lamp
投光灯



Tunnel Lamp
隧道灯



Street Lamp
道路灯



Capability Comparison between Induction lamp and other lamps 无极灯与其他光源性能比较

Lamp 光源	Luminous Efficacy 光效 (Lm/W)	Power Factor 功率因数	Service Life 平均寿命 (h)	Start Time 冷启动时间	Restart Time 热启动时间	Colour Rendering Index 显色性 (Ra)	strobeflash 频闪
无极灯 Induction Lamp	70/80*	0.92~0.99	60,000	瞬间 Instant	瞬间 Instant	≥80	无 No
节能灯 Energy-saving Lamp	25~55	0.33~0.95	5,000	1~3s	<1s	50~80	很明显 Obvious
LED灯 LED Lamp	65~85	0.85	50,000-100,000	瞬间 Instant	瞬间 Instant	>80	无 No
白炽灯 Incandescent Lamp	8~14	1	500~1,000	瞬间 Instant	瞬间 Instant	>95	不明显 Notobvious
卤钨灯 Tungsten Hologen Lamp	12~21	1	1,000~2,000	瞬间 Instant	瞬间 Instant	>95	不明显 Notobvious
高压钠灯 High-Pressure Sodium Lamp	70~120	0.44	8,000~14,000	4~8min	10~15min	<40	明显 Obvious
高压汞灯 High-Pressure Mercury Lamp	25~53	0.44~0.67	3,500~6,000	4~8min	10~15min	30~40	明显 Obvious
金卤灯 Metal Halide Lamp	60~90	0.44~0.67	10,000	4~8min	10~15min	65	明显 Obvious

*1 高频无极灯的光效为70Lm/W

70 Lm/W stands for luminous efficiency of high-frequency Induction lamp.

*2 低频无极灯的光效为80Lm/W

80 Lm/W stands for luminous efficiency of low-frequency induction lamp.

Expense Comparison between Induction lamp and other lamps 无极灯与其他光源性能比较

Following is a list of Induction lamp compared with other types of lamps under the similar luminous efficacy only. 以下列表仅以相同光效条件下无极灯与其他光源性能比较。

	85W无极灯 Induction Lamp 85W	100W节能灯 Energy-saving Lamp 100W	500W白炽灯 Incandescent Lamp 500W	80W LED灯 LED Lamp 80W	175W金卤灯 Metal Halide Lamp 175W	150W钠灯 HPS Lamp 150W
市场参考价(RMB) Market Price(RMB)	400	50	5	2,000	300	300
寿命(h) Service Life(h)	60,000	5,000	800	50,000-100,000	8,000	8,000
60,000h耗灯(pcs) 60,000 Lamp scrap(pcs)	1	12	75	1	8	8
工作电流(A) Current(A)	0.39	0.47	2.27	0.43	1.5	1.8
光源部分投入费用(RMB) Lamp Using Cost(RMB)	400	600	375	2,000	2,400	2,400
电费 *1 (RMB) Electricity Charge *1(RMB)	5,100	6,000	30,000	5,647	10,500	9,000
维护费用 *2 (RMB) Maintain Cost *2(RMB)	0	120	750	0	80	80
总费用(RMB) Total Expense(RMB)	5,500	6,720	31,125	7,647	12,980	11,480

*1 Electricity cost is calculated at RMB 1/ kwh.

电费按1元/度计

*2 Maintaining charge is labor cost of bulb replacement only.

维护费用仅为更换灯时所需的人工费



Induction Lighting is specialty with long service life, energy Saving, High Power Factor Ballast and Color Rendering Index. Since Induction lamp has no electrodes, it can last up to 60,000 hours. Energy Savings up to 40% compared to metal halides, 13 times more efficient than Incandescent light bulbs, and up to twice as efficient as compact fluorescent lights. So Induction Lighting is widely application in all kinds of locations.

With super long service life, induction lighting perfect replace high-pressure sodium lighting and metal halides in road and workplace. The High Color Rendering Index, RA ≥80, that makes substance keep original surface under sodium lighting. Compare with setup time for high-pressure gas discharge lighting, Induction lightings have Instant On/Off feature that is no waiting time between re-strike.

无极灯以其超长寿命，绝顶的节能功夫，极高的功率因数，优秀的光效，接近自然的显色性而著称，与之相比，所有的节能灯与白炽灯等都相形见绌，因此无极灯是各种商业场所的最适用照明光源。

无极灯的超长寿命性能，使其在道路以及工业场所完美地代替高压钠灯和金卤灯等光源，显色性Ra≥80，使长期在高压钠灯的漫染下的物件顿显清晰原貌，就是金卤灯也无法与之相媲美，而更加不能令人接受的所有高压气体放电灯的启动时间长这一缺点，与无极灯的任何时候任何情况瞬间启动即达到光效最大化相比，更显无极灯的优越性。

Catalogue

产品目录

Lighting sources

光源

Model	Luminous Flux (Lm)	Power (P)*	Colour Rendering Index (Ra)	Power Factor	Service Life (h)	Bulb Dia (mm)	Certification
型号	光通量	功率	显色性	功率因数	平均寿命	灯泡直径	认证
TB 5510	3,200	55	≥80	≥98%	60,000	85	CE
TB 8510	5,500	85	≥80	≥98%	60,000	110	CE
TBR 13501	9,000	135	≥80	≥98%	60,000	130	CE/CCC
TBR16501	11,000	165	≥80	≥98%	60,000	130	CE/CCC

Model	Luminous Flux (Lm)	Power (P)*	Colour Rendering Index (Ra)	Power Factor	Service Life (h)	Bulb Size (mm)
型号	光通量	功率	显色性	功率因数	平均寿命	灯泡尺寸
低频200W环形 200W low-frequency ring	16000Lm	200W	≥80	≥98%	60,000	Φ314mm×H110mm
低频300W环形 300W low-frequency ring	24000Lm	300W	≥80	≥98%	60,000	Φ388mm×H110mm
低频200W矩形 200W low-frequency squareness	16000Lm	200W	≥80	≥98%	60,000	L400×W148×H110
低频300W矩形 300W low-frequency squareness	24000Lm	300W	≥80	≥98%	60,000	L500×W150×H110
低频一体化23W/27W 23W/27W low-frequency integration	1400Lm/1650Lm	23W/27W	≥80	≥91%	60,000	L80×W60×H175
低频一体化40W 40W low-frequency integration	2600Lm	40W	≥80	≥91%	60,000	L178×W155×H180

Street Light
道路灯

Model	Induction Lighting Model	Power Supply Param	Waterproof Class	Connection Dia	Install Highness
型号	配用光源	电源参数	防护等级	安装管径	适用高度
S85B001	TB8510	170V~265V	IP65	Φ60mm	8m
S165B002	TBR16501	170V~265V	IP65	Φ60mm	8m~12m
S165B004	TBR16501	170V~265V	IP65	Φ60mm	8m~12m
S165B007	TBR16501	170V~265V	IP65	Φ60mm	8m~12m
S165B013	TBR16501	170V~265V	IP65	Φ60mm	8m~12m
S85P015	TB8510	170V~265V	IP65	Φ60mm	8m

High-bay Light
厂库灯

Model	Induction Lighting Model	Power Supply Param	Waterproof Class	Beam Angle	Fixture Efficiency
型号	配用光源	电源参数	防护等级	光束角	灯具效率
F85P002	TB 8510	170V~265V	IP 54	-	81%
F85P003	TB 8510	170V~265V	IP 54	50°	78%
F165PA004	TBR 16501	170V~265V	IP 54	30°	88%

Flood Light
投射灯

Model	Induction Lighting Model	Power Supply Param	Waterproof Class	Beam Angle	Fixture Efficiency
型号	配用光源	电源参数	防护等级	光束角	灯具效率
P165B001	TBR 16501	170V~265V	IP 65	C0-C180 flat 56° C90-C270 flat 50°	80%
P165PA002	TBR 16501	170V~265V	IP 65	35°	80%

Explosion-proof Light
防爆灯

Model	Induction Lighting Model	Power Supply Param	Waterproof Class	Beam Angle	Fixture Efficiency
型号	配用光源	电源参数	防护等级	光束角	灯具效率
E85P001	TB 8510	170V~265V	IP 65	-	78%

Tunnel Light
隧道灯

Model	Induction Lighting Model	Power Supply Param	Waterproof Class	Beam Angle	Fixture Efficiency
型号	配用光源	电源参数	防护等级	光束角	灯具效率
T165B001	TBR 16501	170V~265V	IP 65	C0-C180 flat 48° C90-C270 flat 48°	80%

Lighting Sources

光源

Model 型号 TB 5510 (TB8510)

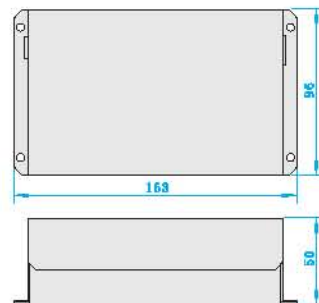
光源



T

P

B



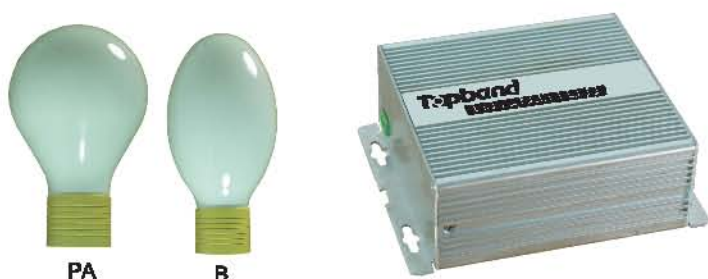
Technical Param 技术参数

Bulb	配用灯泡	T,P,B
Rated Voltage	额定电压	170V~265V
Working Frequency	工作频率	2.65MHz
Power	功率	55W (85W)
Power Factor	功率因素	≥95%
Luminous Flux	光通量	3,200Lm 5,500Lm
Color Rendering	显色指数	Ra ≥80
Startup Time	启动时间	<0.5sec
Working Temp.	工作环境温度	-20℃~65℃



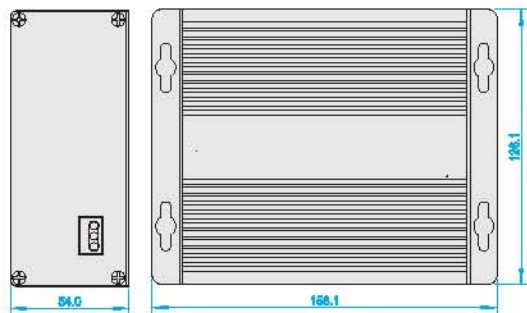
Model 型号 TBR 13501 (TBR16501)

光源



PA

B



Technical Param 技术参数

Bulb	配用灯泡	PA,B
Rated Voltage	额定电压	170V~265V
Working Frequency	工作频率	2.85MHz
Power	功率	135W (165W)
Power Factor	功率因素	≥98%
Luminous Flux	光通量	9,000Lm 11,000Lm
Color Rendering	显色指数	Ra ≥80
Startup Time	启动时间	<0.5sec
Working Temp.	工作环境温度	-20℃~65℃

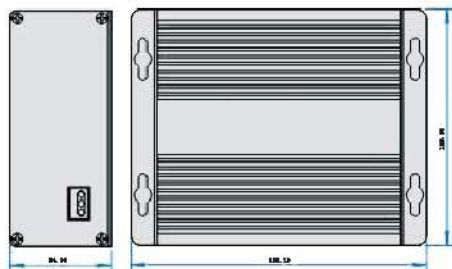


Lighting Sources

光源

Model 型号 TBD220V200_W01 (矩形 Square)

光源



Technical Param 技术参数

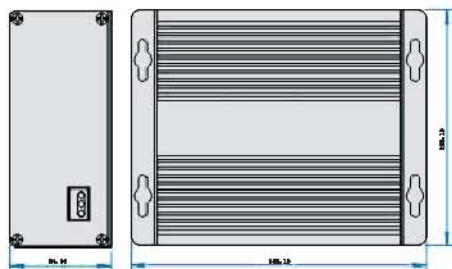
Bulb	配用灯泡	S
Rated Voltage	额定电压	90V~160V/170V~265V
Working Frequency	工作频率	130KHz-230KHz
Power	功率	200W
Power Factor	功率因素	≥98%
Luminous Flux	光通量	16,000Lm
Color Rendering	显色指数	Ra ≥80
Startup Time	启动时间	<0.5Sec
Working Temp.	工作环境温度	-20℃~65℃

矩形 S

功率 Power	尺寸 Dimension	光通量 luminous Flux
80W	250mm×140mm×99mm	6400lm
100W	250mm×140mm×99mm	8000lm
120W	320mm×140mm×99mm	9600lm
150W	320mm×140mm×99mm	12000lm
200W	400mm×148mm×110mm	16000lm
300W	500mm×150mm×110mm	24000lm

Model 型号 TBD220V200_W01 (环形 Ring)

光源



Technical Param 技术参数

Bulb	配用灯泡	R
Rated Voltage	额定电压	90V~160V/170V~265V
Working Frequency	工作频率	130KHz-230KHz
Power	功率	200W
Power Factor	功率因素	≥98%
Luminous Flux	光通量	16,000Lm
Color Rendering	显色指数	Ra ≥80
Startup Time	启动时间	<0.5Sec
Working Temp.	工作环境温度	-20℃~65℃

环形 R

功率 Power	尺寸 Dimension	光通量 luminous Flux
80W	Φ214mm×H99mm	6400lm
100W	Φ214mm×H99mm	8000lm
120W	Φ274mm×H99mm	9600lm
150W	Φ274mm×H99mm	12000lm
200W	Φ314mm×H110mm	16000lm
300W	Φ388mm×H110mm	24000lm

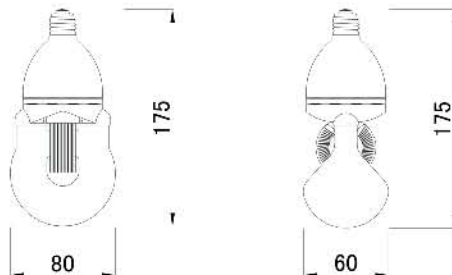
拓邦照明

Compact induction Lamp

一体化无极灯

Model 型号 TBR18AW01/TBR23AW01/TBR27AW01

商业照明



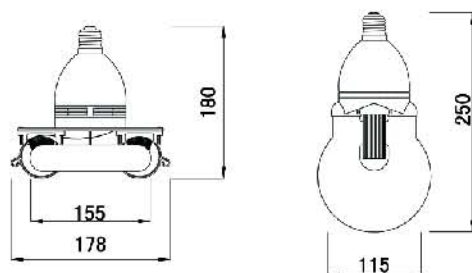
Technical Param 技术参数

Rated Voltage	额定电压	90V~160V/170V~265V
Working Frequency	工作频率	220KHz
Power	功率	18W/23W/27W
Power Factor	功率因数	≥91%
Luminous Flux	光通量	1100lm/1400lm/1650lm
Color Rendering	显色指数	Ra ≥80
Startup Time	启动时间	<0.5sec

Applying to the business lighting areas such as commercial places, hotel, home and school etc.

Model 型号 TBR40AW01/TBR40AW02

商业照明



Technical Param 技术参数

Rated Voltage	额定电压	90V~160V/170V~265V
Working Frequency	工作频率	220KHz
Power	功率	40W
Power Factor	功率因数	≥91%
Luminous Flux	光通量	2600 lm
Color Rendering	显色指数	Ra ≥80
Startup Time	启动时间	<0.5sec

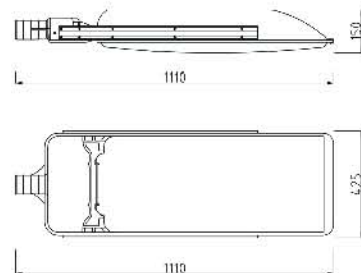
Applying to the business lighting areas such as commercial places, hotel, home and school etc.

Street Lighting (Low-frequency)

道路照明 (低频)

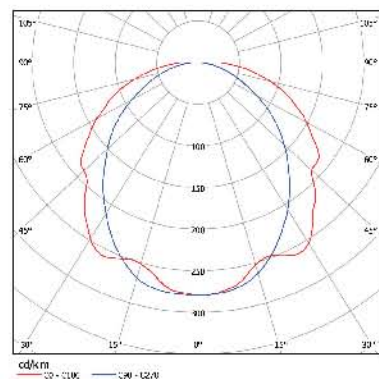
Model 型号 SDC300S104/ SDC200S104 (低频Low-frequency)

道路照明



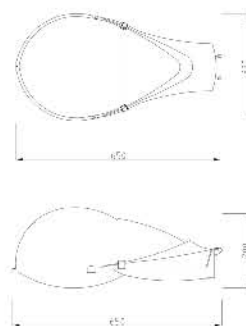
Technical Param 技术参数

Induction Lighting Model	配用光源	TBD220V300_W01(TBD220V200_W01)
Colour Temp	色温	2700K-6500K
Power Series	功率系列	300W (200W)
Power Supply Param	电源参数	90V~160V/170V~265V
Fixture Efficiency	灯具效率	80%
Dimension	尺寸	L1110×W425×H150mm
Install Highness	适用高度	8m~15m
Connection Dia	安装管径	Φ60mm
Waterproof Class	防护等级	IP65
Working Temp	工作环境温度	-20℃~50℃

Photometrics
配光曲线

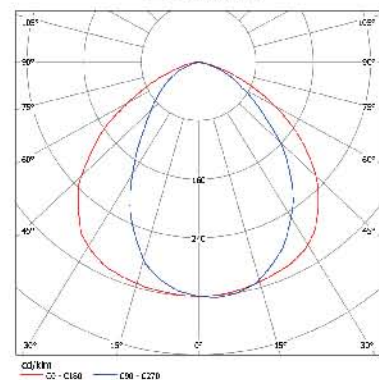
Model 型号 S165B017

道路照明



Technical Param 技术参数

Induction Lighting Model	配用光源	TBD220V165_N01(TBD220V135_N01)
Colour Temp	色温	2700K-6500K
Power Series	功率系列	165W(135W)
Power Supply Param	电源参数	90V~160V/170V~265V
Fixture Efficiency	灯具效率	80%
Dimension	尺寸	L650×W320×H200mm
Install Highness	适用高度	5m~12m
Connection Dia	安装管径	Φ60mm
Waterproof Class	防护等级	IP65
Working Temp	工作环境温度	-20℃~50℃

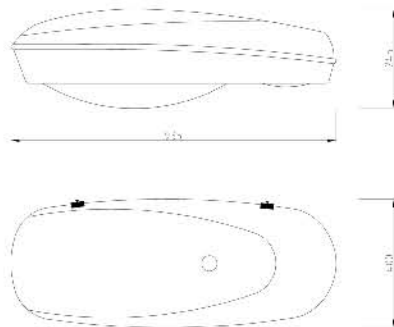
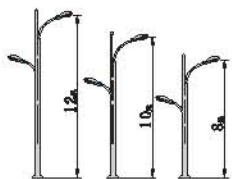
Photometrics
配光曲线

Street Lighting(Low Frequency)

道路照明 (低频)

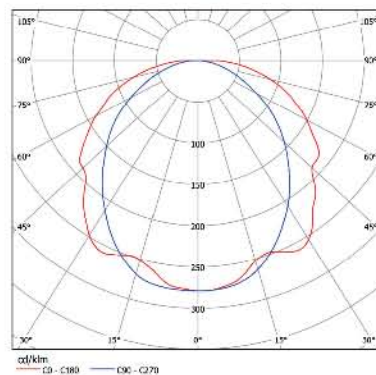
Model 型号 SDC200S101(SDC150S101,SDC120S101) (低频 Low-frequency)

道路照明



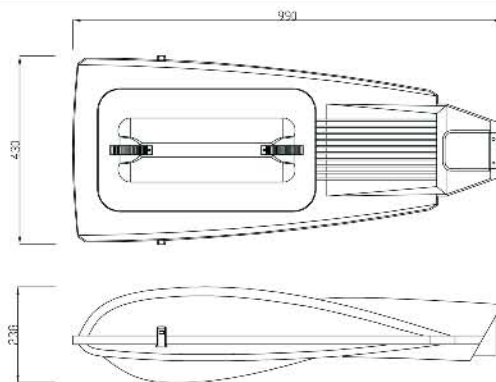
Technical Param 技术参数

Induction Lighting Model	配用光源	TBD220V200_W01(TBD220V150_W01, TBD220V120_W01)
Colour Temp	色温	2700K-8500K
Power Series	功率系列	200W (150W, 120W)
Power Supply Param	电源参数	90V~160V/170V~265V
Fixture Efficiency	灯具效率	80%
Dimension	尺寸	L935×W400×H245mm
Install Highness	适用高度	5m~12m
Connection Dia	安装管径	Φ60mm
Waterproof Class	防护等级	IP65
Working Temp	工作环境温度	-20℃~50℃

Photometrics
配光曲线

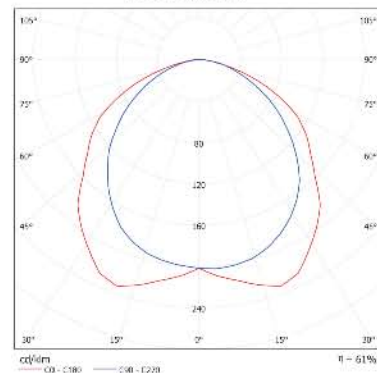
Model 型号 SDC200S103/SDC300S103 (低频 Low-frequency)

道路照明



Technical Param 技术参数

Induction Lighting Model	配用光源	TBD220V200_W01/TBD220V300_W01
Colour Temp	色温	2700K-6500K
Power Series	功率系列	200W/300W
Power Supply Param	电源参数	90V~160V/170V~265V
Fixture Efficiency	灯具效率	80%
Dimension	尺寸	990×430×238mm
Install Highness	适用高度	8m~12m
Connection Dia	安装管径	Φ60
Waterproof Class	防护等级	IP65
Working Temp	工作环境温度	-20℃~50℃

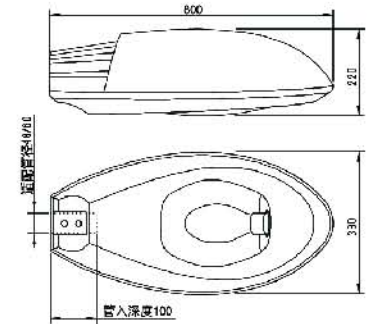
Photometrics
配光曲线

Street Lighting (High-frequency)

道路照明(高频)

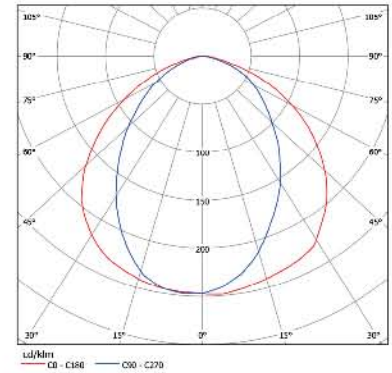
Model 型号 S165B002 (S135B002, S85B002) (高频High-frequency)

道路照明



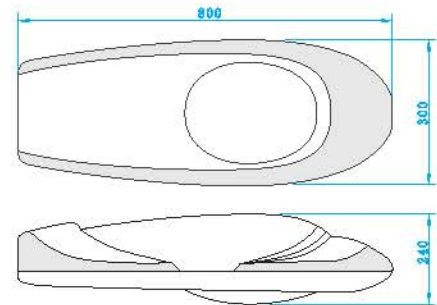
Technical Param 技术参数

Induction Lighting Model	配用光源	TBR16501 (TBR13501, TB8510)
Colour Temp	色温	2700K-6500K
Power Series	功率系列	165W(135W, 85W)
Power Supply Param	电源参数	170V-265V
Fixture Efficiency	灯具效率	80%
Dimension	尺寸	L800×W380×H220mm
Install Highness	适用高度	5m~12m
Connection Dia	安装管径	Φ60mm
Waterproof Class	防护等级	IP65
Working Temp	工作环境温度	-20℃~50℃

Photometrics
配光曲线

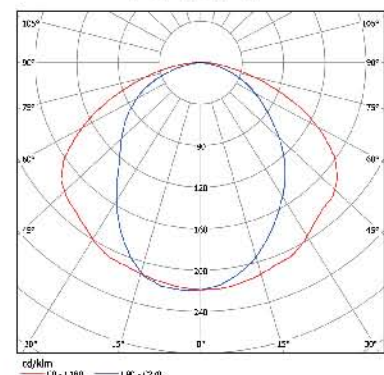
Model 型号 S165B013(S135B013,S85B013) (高频High-frequency)

道路照明



Technical Param 技术参数

Induction Lighting Model	配用光源	TBR16501(TBR13501, TB 8510)
Colour Temp	色温	2700K-6500K
Power Series	功率系列	165W(135W,85W)
Power Supply Param	电源参数	170V-265V
Fixture Efficiency	灯具效率	80%
Dimension	尺寸	L800×W300×H240mm
Install Highness	适用高度	12m(10m, 8m)
Connection Dia	安装管径	Φ60mm
Waterproof Class	防护等级	IP65
Working Temp	工作环境温度	-20℃~50℃

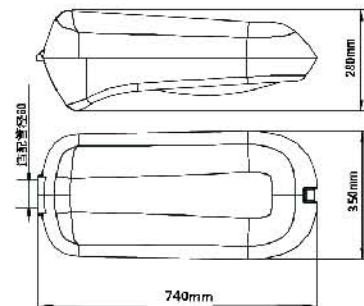
Photometrics
配光曲线

Street Lighting (High-frequency)

道路照明 (高频)

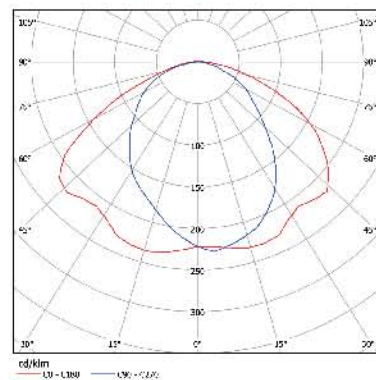
Model 型号 S85B001 (高频High-frequency)

道路照明



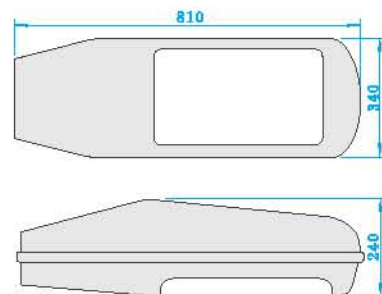
Technical Param 技术参数

Induction Lighting Model	配用光源	TB8510
Colour Temp	色温	2700K-6500K
Power Series	功率系列	85W
Power Supply Param	电源参数	170V~265V
Fixture Efficiency	灯具效率	80%
Dimension	尺寸	L740×W350×H280mm
Install Highness	适用高度	8m~12m
Connection Dia	安装管径	Φ60mm
Waterproof Class	防护等级	IP65
Working Temp	工作环境温度	-20℃~50℃

Photometrics
配光曲线

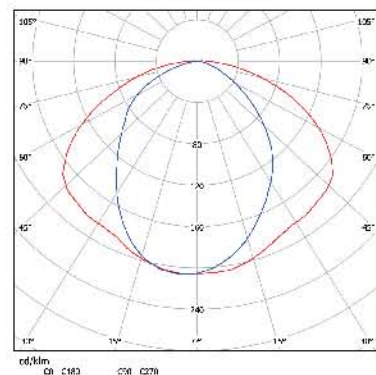
Model 型号 S165B004(S135B004,S85B004)(高频High-frequency)

道路照明



Technical Param 技术参数

Induction Lighting Model	配用光源	TBR16501(TBR13501,TB8510)
Colour Temp	色温	2700K-6500K
Power Series	功率系列	165W(135W,85W)
Power Supply Param	电源参数	170V~265V
Fixture Efficiency	灯具效率	80%
Dimension	尺寸	L810×W340×H240mm
Install Highness	适用高度	12m(10m,8m)
Connection Dia	安装管径	Φ60mm
Waterproof Class	防护等级	IP65
Working Temp	工作环境温度	-20℃~50℃

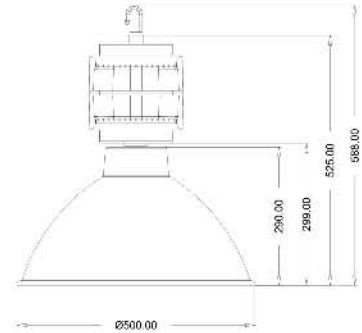
Photometrics
配光曲线

High-bay Lighting (Low-frequency)

厂矿照明 (低频)

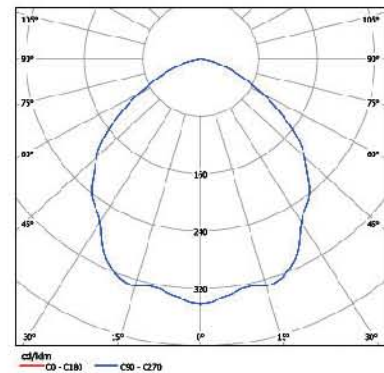
Model 型号 FDC100R101(FDC80R101) (低频 Low-frequency)

厂矿照明



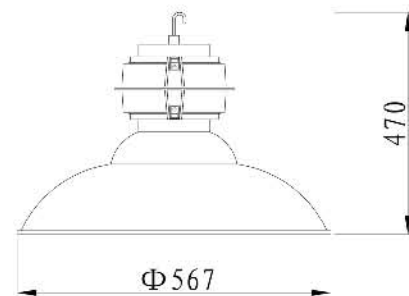
Technical Param 技术参数

Induction Lighting Model	配用光源	TBD220V100_W01(TBD220V80_W01)
Colour Temp	色温	2700K-6500K
Power Series	功率系列	100W (80W)
Power Supply Param	电源参数	90V~160V/170V~265V
Fixture Efficiency	灯具效率	80%
Dimension	尺寸	Φ500mm×H588mm
Install Highness	适用高度	5m~8m
Luminous Flux Rate(up)	向上光通比	0
Luminous Flux Rate(Down)	向下光通比	80%
Waterproof Class	防护等级	IP54
Working Temp	工作环境温度	-20℃~50℃

Photometrics
配光曲线

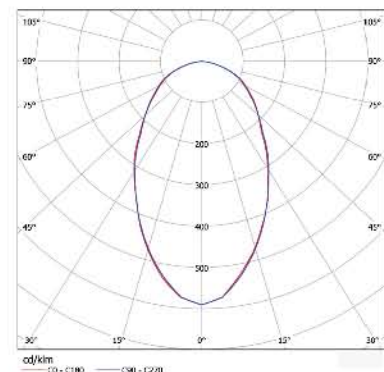
Model 型号 FDC200R103(FDC150R103 , FDC120R103) (低频 Low-frequency)

厂矿照明



Technical Param 技术参数

Induction Lighting Model	配用光源	TBD220V200_W01(TBD220V150_W01,TBD220V120_W01)
Colour Temp	色温	2700K-6500K
Power Series	功率系列	200W(150W,120W)
Power Supply Param	电源参数	90V~160V/170V~265V
Fixture Efficiency	灯具效率	80%
Dimension	尺寸	Φ567mm×H470mm
Install Highness	适用高度	5m~15m
Luminous Flux Rate(up)	向上光通比	0
Luminous Flux Rate(Down)	向下光通比	80%
Waterproof Class	防护等级	IP54
Working Temp	工作环境温度	-20℃~50℃

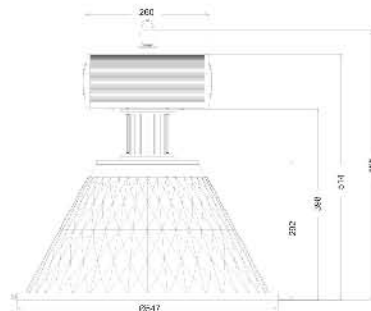
Photometrics
配光曲线

High-bay Lighting (Low-frequency)

厂矿照明 (低频)

Model 型号 FDC150R102/FDC200R102/FDC250R102

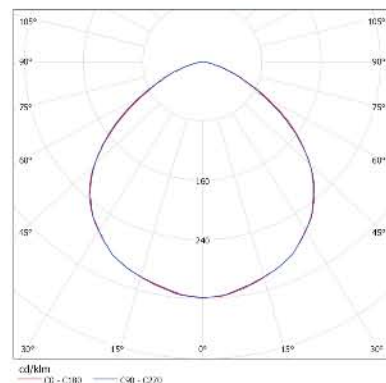
厂矿照明



Technical Param 技术参数

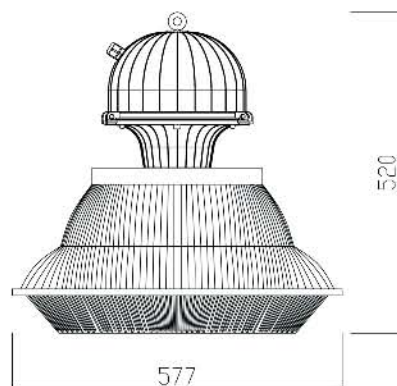
Induction Lighting Model	配用光源	TBD220V150_W02/TBD220V200_W01/TBD220V250_W01
Colour Temp	色温	2700K~6500K
Power Series	功率系列	150W/200W/250W
Power Supply Param	电源参数	90V~160V/170V~265V
Fixture Efficiency	灯具效率	80%
Dimension	尺寸	Φ547×565mm
Install Highness	适用高度	5m~12m
Luminous Flux Rate(up)	向上光通比	0%
Luminous Flux Rate(Down)	向下光通比	80%
Waterproof Class	防护等级	IP54
Working Temp	工作环境温度	-20℃~50℃

Photometrics 配光曲线



Model 型号 FDC200R106/FDC250R106

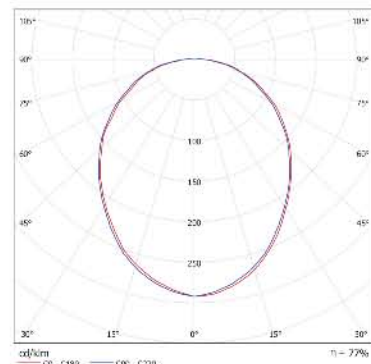
厂矿照明



Technical Param 技术参数

Induction Lighting Model	配用光源	TBD220V200_W01/TBD220V250_W01
Colour Temp	色温	2700K~6500K
Power Series	功率系列	200W/250W
Power Supply Param	电源参数	90V~160V/170V~265V
Fixture Efficiency	灯具效率	80%
Dimension	尺寸	Φ577×520mm
Install Highness	适用高度	5m~15m
Luminous Flux Rate(up)	向上光通比	0%
Luminous Flux Rate(Down)	向下光通比	80%
Waterproof Class	防护等级	IP54
Working Temp	工作环境温度	-20℃~50℃

Photometrics 配光曲线

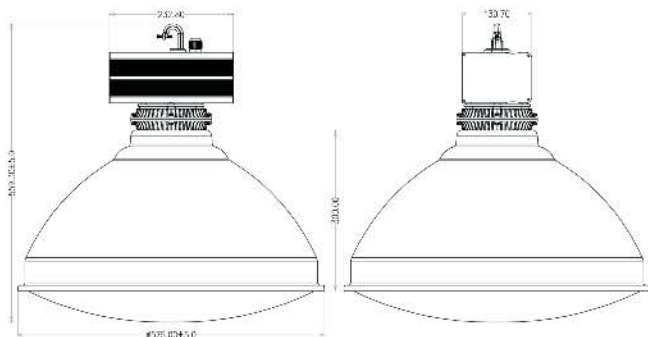


High-bay lighting(High-frequency)

厂矿照明(高频)

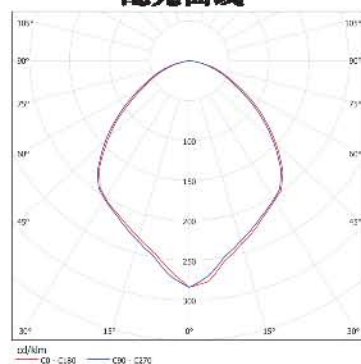
Model 型号 FDC200R105/FDC300R105

厂矿照明



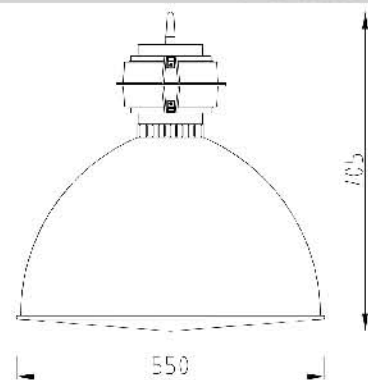
Technical Param 技术参数

Induction Lighting Model	配用光源	TBD220V200_W01/TBD220V300_W01
Colour Temp	色温	2700K~6500K
Power Series	功率系列	200W/300W
Power Supply Param	电源参数	90V~160V/170V~265V
Fixture Efficiency	灯具效率	80%
Dimension	尺寸	Φ575×559mm
Install Highness	适用高度	5m~15m
Luminous Flux Rate(up)	向上光通比	0%
Luminous Flux Rate(Down)	向下光通比	80%
Waterproof Class	防护等级	IP54
Working Temp	工作环境温度	-20℃~50℃

Photometrics
配光曲线

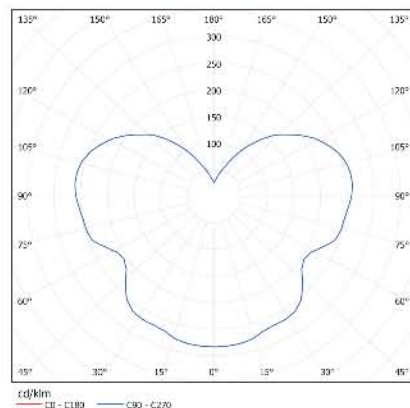
Model 型号 FDC300R107

厂矿照明



Technical Param 技术参数

Induction Lighting Model	配用光源	TBD220V200_W01/TBD220V250_W01/TBD220V300_W01
Colour Temp	色温	2700K~6500K
Power Series	功率系列	200W/250W/300W
Power Supply Param	电源参数	90V~160V/170V~265V
Fixture Efficiency	灯具效率	80%
Dimension	尺寸	Φ550×705mm
Install Highness	适用高度	5m~15m
Luminous Flux Rate(up)	向上光通比	0%
Luminous Flux Rate(Down)	向下光通比	80%
Waterproof Class	防护等级	IP54
Working Temp	工作环境温度	-20℃~50℃

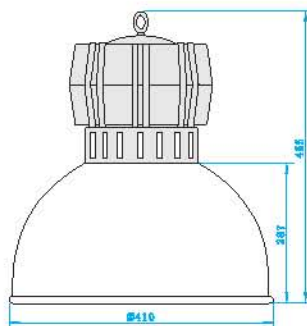
Photometrics
配光曲线

High-bay lighting(High-frequency)

厂矿照明(高频)

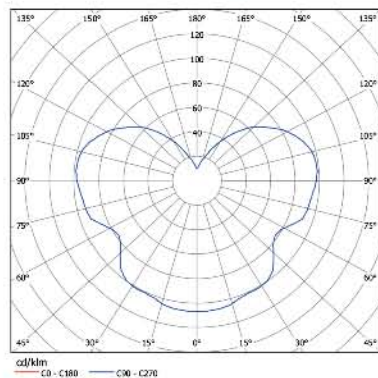
Model 型号 F85P002(F55T002)(高频High-frequency)

厂矿照明



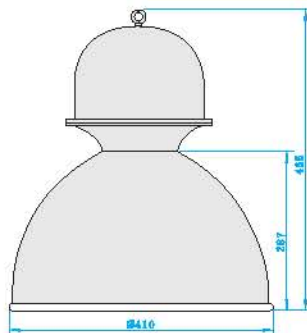
Technical Param 技术参数

Induction Lighting Model	配用光源	TB8510(TB 5510)
Colour Temp	色温	2700K-6500K
Power Series	功率系列	85W(55W)
Power Supply Param	电源参数	170V~265V
Fixture Efficiency	灯具效率	81%
Dimension	尺寸	Φ410×H465mm
Install Highness	适用高度	5m-8m
Luminous Flux Rate(up)	向上光通比	25%
Luminous Flux Rate(Down)	向下光通比	56%
Waterproof Class	防护等级	IP54
Working Temp	工作环境温度	-20℃~50℃

Photometrics
配光曲线

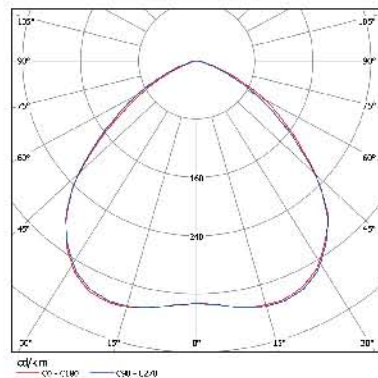
Model 型号 F85P003(F55T003) (高频High-frequency)

厂矿照明



Technical Param 技术参数

Induction Lighting Model	配用光源	TB8510(TB 5510)
Colour Temp	色温	2700K-6500K
Power Series	功率系列	85W(55W)
Power Supply Param	电源参数	170V~265V
Fixture Efficiency	灯具效率	78%
Dimension	尺寸	Φ410×H465mm
Install Highness	适用高度	5m-8m
Luminous Flux Rate(up)	向上光通比	0
Luminous Flux Rate(Down)	向下光通比	78%
Waterproof Class	防护等级	IP54
Working Temp	工作环境温度	-20℃~50℃

Photometrics
配光曲线

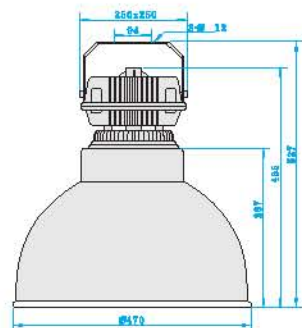
拓邦照明

High-bay lighting(High-frequency)

厂矿照明(高频)

Model 型号 F165PA004 (F135PA004) F85P004* (高频High-frequency)

厂矿照明



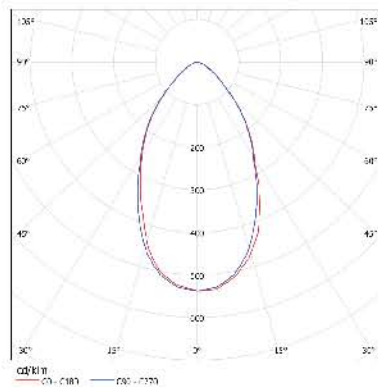
Technical Param 技术参数

Induction Lighting Model	配用光源	TBR16501(TBR13501)TB 8510
Colour Temp	色温	2700K-6500K
Power Series	功率系列	165W(135W)85W
Power Supply Param	电源参数	170V~265V
Fixture Efficiency	灯具效率	88%
Dimension	尺寸	Φ470×H527mm
Install Highness	适用高度	10m(8m)5m
Luminous Flux Rate(up)	向上光通比	0
Luminous Flux Rate(Down)	向下光通比	88%
Waterproof Class	防护等级	IP54
Working Temp	工作环境温度	-20℃~50℃

*F85P004的尺寸为Φ410×H476mm

Photometrics

配光曲线



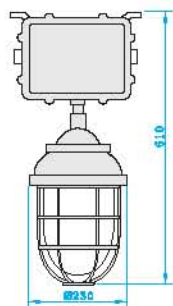
拓邦照明

Explosion-proof Lighting (High-frequency)

防爆照明(高频)

Model 型号 E85P001(E55T001) (高频High-frequency)

防爆照明

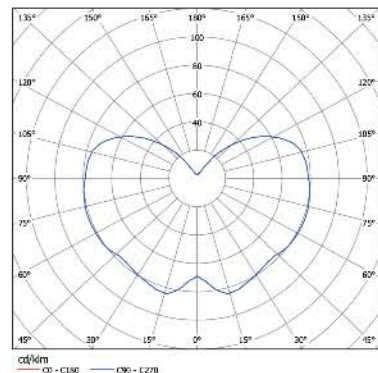


Technical Param 技术参数

Induction Lighting Model	配用光源	TBR8510D(TBR 5510D)
Colour Temp	色温	2700K-6500K
Power Series	功率系列	85W(55W)
Power Supply Param	电源参数	170V~265V
Fixture Efficiency	灯具效率	78%
Dimension	尺寸	Φ230×H110mm
Install Highness	适用高度	5m(3m)
Waterproof Class	防护等级	IP65
Working Temp	工作环境温度	-20℃~50℃

Photometrics

配光曲线



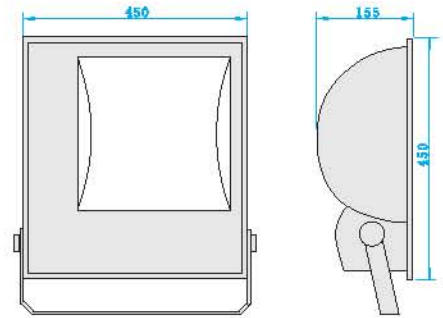
拓邦照明

Billboard Lighting(High-frequency)

广告照明(高频)

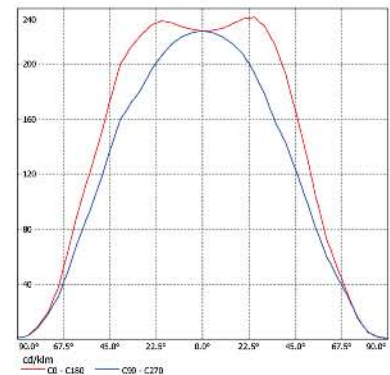
Model 型号 P165B001(P135B001)(高频High-frequency)

投射照明



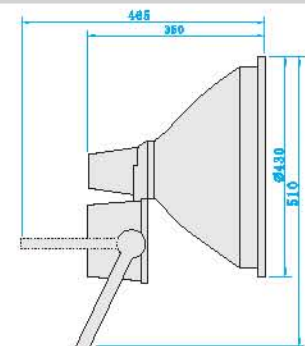
Technical Param 技术参数

Induction Lighting Model	配用光源	TB165TD (TB135TD)
Colour Temp	色温	2700K-6500K
Power Series	功率系列	165W(135W)
Power Supply Param	电源参数	170V~265V
Fixture Efficiency	灯具效率	80%
Dimension	尺寸	L450×W450×H155mm
Install Highness	适用高度	10m(8m)
Waterproof Class	防护等级	IP65
Working Temp	工作环境温度	-20℃~50℃

Photometrics
配光曲线

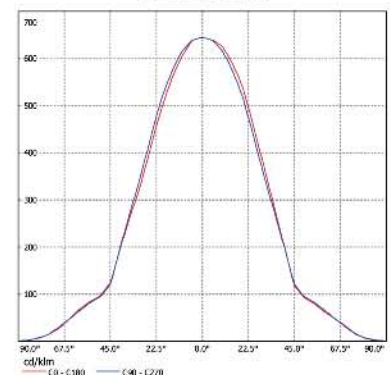
Model 型号 P165PA002(P135PA002)(高频High-frequency)

投射照明



Technical Param 技术参数

Induction Lighting Model	配用光源	TBR16501 (TBR13501)
Colour Temp	色温	2700K-6500K
Power Series	功率系列	165W(135W)
Power Supply Param	电源参数	170V~265V
Fixture Efficiency	灯具效率	80%
Dimension	尺寸	Φ430×H350mm
Install Highness	适用高度	12m(10m)
Waterproof Class	防护等级	IP65
Working Temp	工作环境温度	-20℃~50℃

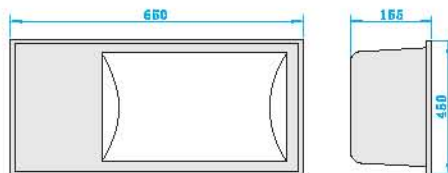
Photometrics
配光曲线

拓邦照明

Tunnel Lighting(High-frequency)
隧道照明(高频)

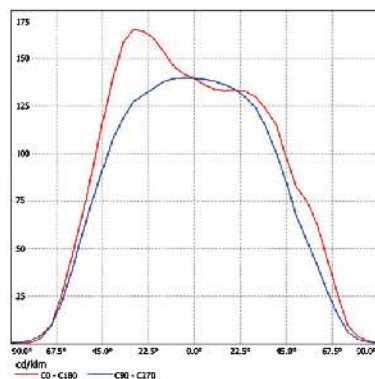
Model 型号 T165B001(T135B001)(高频High-frequency)

隧道照明



Technical Param 技术参数

Induction Lighting Model	配用光源	TBR165TD(TBR 135TD)
Colour Temp	色温	2700K-6500K
Power Series	功率系列	165W(135W)
Power Supply Param	电源参数	170V~265V
Fixture Efficiency	灯具效率	80%
Dimension	尺寸	L650×W290×H180mm
Install Highness	适用高度	5m-8m
Waterproof Class	防护等级	IP65
Working Temp	工作环境温度	-20℃~50℃

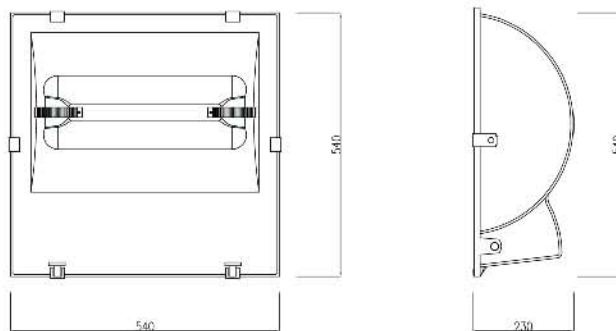
Photometrics
配光曲线

拓邦照明

Flood Lighting(Low-frequency)
广告照明(低频)

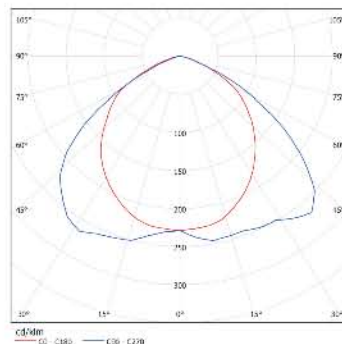
Model 型号 PDC200S101

投射照明



Technical Param 技术参数

Induction Lighting Model	配用光源	TBD220V200_W01
Colour Temp	色温	2700K-6500K
Power Series	功率系列	200W
Power Supply Param	电源参数	90V~160V/170V~265V
Fixture Efficiency	灯具效率	80%
Dimension	尺寸	540×540×230mm
Install Highness	适用高度	5m-12m
Waterproof Class	防护等级	IP65
Working Temp	工作环境温度	-20℃~50℃

Photometrics
配光曲线

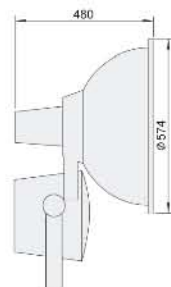
拓邦照明

Flood Lighting(Low-frequency)

广告照明(低频)

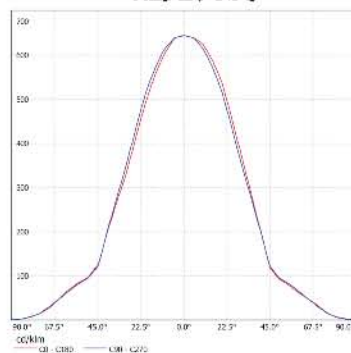
Model 型号 PDC200R102/PDC300R102

投射照明



Technical Param 技术参数

Induction Lighting Model	配用光源	TDC220V200_W01/TDC220V300_W01
Colour Temp	色温	2700K~6500K
Power Series	功率系列	200W/300W
Power Supply Param	电源参数	90V~160V/170V~265V
Fixture Efficiency	灯具效率	80%
Dimension	尺寸	Φ574×480mm
Install Highness	适用高度	5m~12m
Waterproof Class	防护等级	IP65
Working Temp	工作环境温度	-20℃~50℃

Photometrics
配光曲线

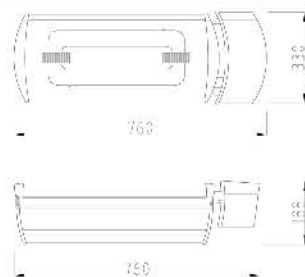
拓邦照明

Tunnel Lighting(Low-frequency)

隧道照明(低频)

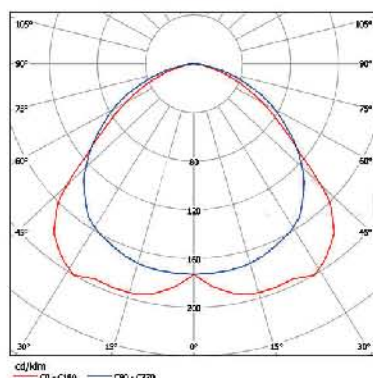
Model 型号 TDC200S101(低频 Low-frequency)

隧道照明



Technical Param 技术参数

Induction Lighting Model	配用光源	TBD220V200_W01
Colour Temp	色温	2700K-6500K
Power Series	功率系列	200W
Power Supply Param	电源参数	90V~160V/170V~265V
Fixture Efficiency	灯具效率	80%
Dimension	尺寸	L760×W330×H188mm
Install Highness	适用高度	5m~8m
Waterproof Class	防护等级	IP65
Working Temp	工作环境温度	-20℃~50℃

Photometrics
配光曲线

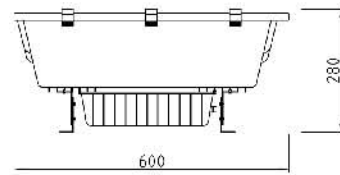
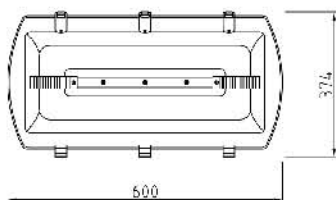
拓邦照明

Tunnel Lighting(Low-frequency)

隧道照明(低频)

Model 型号 TDC150S103/TDC200S103

隧道照明

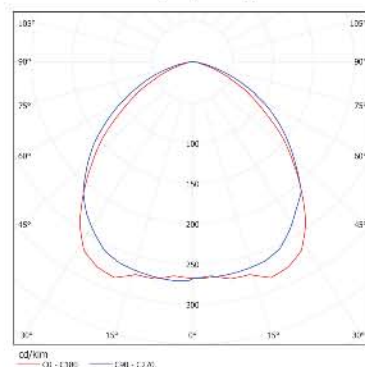


Technical Param 技术参数

Induction Lighting Model	配用光源	TBD220V150_W02/TDC220V200_W01
Colour Temp	色温	2700K~6500K
Power Series	功率系列	150W/200W
Power Supply Param	电源参数	90V~160V/170V~265V
Fixture Efficiency	灯具效率	80%
Dimension	尺寸	600×374×280mm
Install Highness	适用高度	5m~8m
Waterproof Class	防护等级	IP65
Working Temp	工作环境温度	-20℃~50℃

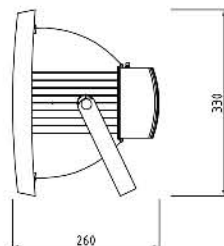
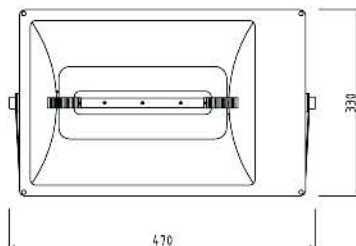
Photometrics

配光曲线



Model 型号 TDC100S104

隧道照明

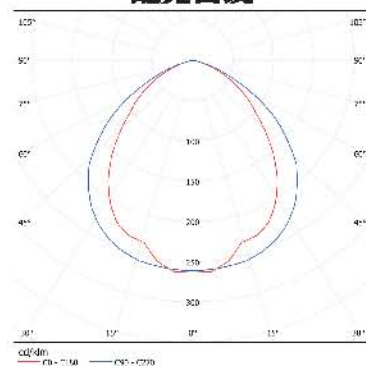


Technical Param 技术参数

Induction Lighting Model	配用光源	TBD220V100_W01
Colour Temp	色温	2700K~6500K
Power Series	功率系列	100W
Power Supply Param	电源参数	90V~160V/170V~265V
Fixture Efficiency	灯具效率	80%
Dimension	尺寸	540×540×230mm
Install Highness	适用高度	5m~12m
Waterproof Class	防护等级	IP65
Working Temp	工作环境温度	-20℃~50℃

Photometrics

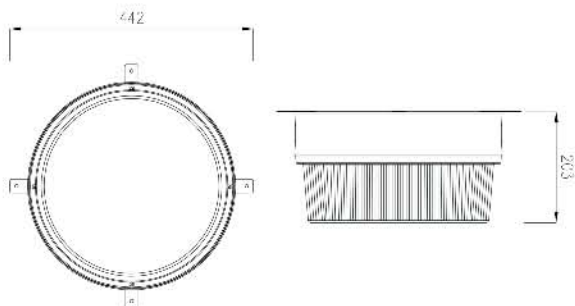
配光曲线



Ceiling Lighting (Low-frequency)
吸顶灯 (低频)

Model 型号 CDC80R101/CDC100R101

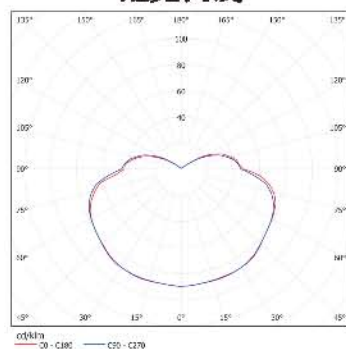
加油站照明



Technical Param 技术参数

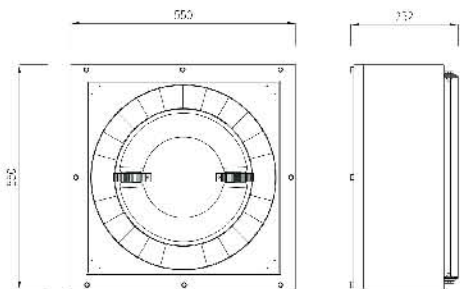
Induction Lighting Model	配用光源	TBD220V80_W01/TBD220V100_W01
Colour Temp	色温	2700K~6500K
Power Series	功率系列	80W/100W
Power Supply Param	电源参数	90V~160V/170V~265V
Fixture Efficiency	灯具效率	80%
Dimension	尺寸	Φ442×203mm
Install Highness	适用高度	3m~5m
Luminous Flux Rate(up)	向上光通比	10%
Luminous Flux Rate(Down)	向下光通比	70%
Waterproof Class	防护等级	IP54
Working Temp	工作环境温度	-20℃~50℃

Photometrics 配光曲线



Model 型号 CDC150R102/CDC200R102

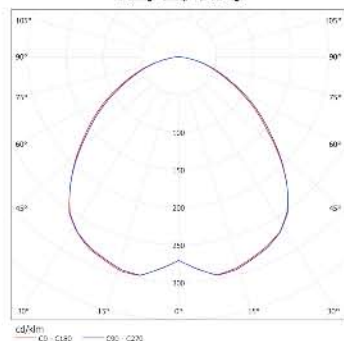
加油站照明



Technical Param 技术参数

Induction Lighting Model	配用光源	TBD220V150_W02/TBD220V200_W01
Colour Temp	色温	2700K~6500K
Power Series	功率系列	150W/200W
Power Supply Param	电源参数	90V~160V/170V~265V
Fixture Efficiency	灯具效率	80%
Dimension	尺寸	550×550×252mm
Install Highness	适用高度	5m~8m
Luminous Flux Rate(up)	向上光通比	0%
Luminous Flux Rate(Down)	向下光通比	80%
Waterproof Class	防护等级	IP55
Working Temp	工作环境温度	-20℃~50℃

Photometrics 配光曲线



Cases

案例解释

**Case Name: E-Workshop Lighting**

Chosen lamp: F85P003 Factory Lamp

Lamp height: 3.5m

Lamp distance: 4m

Average illuminance: 100-120Lux

案例名称：电子车间照明

选用灯具：F85P003厂矿灯具

灯具高度：3.5米

灯具间距：4米

平均照度：100-120Lux

**Case Name: Warehouse Lighting**

Chosen Lamp :FDC100R101 High-Bay light

Lamp Height:6m

Lamp distance:4m

Average illuminance:146Lux

案例名称：仓库照明

选用灯具：FDC100R101

灯具高度：6米

灯具间距：4米

平均照度：146Lux

**Case Name: Materials Warehouse Lighting**

Chosen lamp: F85P003 Lamp

Lamp height: 3.5m

Lamp distance: 4m

Average illuminance: 183 Lux

案例名称：材料仓库照明

选用灯具：F85P003灯具

灯具高度：3.5米

灯具间距：4米

平均照度：183Lux

**Case Name: Tunnel Lighting**

Chosen Lamp :TDC200S101

Lamp Height:5m-8m

案例名称：隧道照明

选用灯具：TDC200S101

灯具高度：5m-8m

Cases

案例解释

**Case Name: Outdoor Sports Lighting**

Chosen lamp: G165B001 Stadium lamp

Lamp height: 8 m

Number of lamp pose: 6 pcs

Average illuminance: 50Lux

Lighting uniformity: 0.58

案例名称：户外运动场照明

选用灯具：G165B001 球场灯具

灯具高度：8米

灯柱数量：6个

平均照度：50Lux

照明均匀度：0.58

**Case Name: City Road Lighting**

Chosen lamp: S165B004+S330B201 Road lamp

Lamp height: 12 m

Lamp distance: 35m

Number of installed lamp per pose: 1+1

Average illuminance: 35Lux

Lighting uniformity: 0.51

案例名称：城市道路照明

选用灯具：S165B004+S330B201 道路灯具

灯具高度：12米

灯具间距：35米

每柱装灯个数：1+1

平均照度：35Lux

照明均匀度：0.51

**Case Name: Community Road Lighting**

Chosen lamp: S165B008 Road lamp

Lamp height: 8 m

Lamp distance: 30m

Number of installed lamp per pose: 1

Average illuminance: 18Lux

Lighting uniformity: 0.41

案例名称：小区道路照明

选用灯具：S165B008 道路灯具

灯具高度：8米

灯具间距：30米

每柱装灯个数：1

平均照度：18Lux

照明均匀度：0.41

**Case Name: City Street Lighting**

Chosen lamp: S165B013 Road lamp

Lamp height: 10 m

Lamp distance: 23m

Number of installed lamp per pose: 1

Average illuminance: 21Lux

Lighting uniformity: 0.52

案例名称：城区道路照明

选用灯具：S165B013 道路灯具

灯具高度：10米

灯具间距：23米

每柱装灯个数：1

平均照度：21Lux

照明均匀度：0.52